

Document Title	Specification of Port Driver
Document Owner	AUTOSAR
Document Responsibility	AUTOSAR
Document Identification No	040

Document Status	Final
Part of AUTOSAR Standard	Classic Platform
Part of Standard Release	4.3.1

Document Change History			
Date	Release	Changed by	Change Description
2017-12-08	4.3.1	AUTOSAR Release Management	<ul style="list-style-type: none"> minor corrections / clarifications / editorial changes; For details please refer to the ChangeDocumentation
2016-11-30	4.3.0	AUTOSAR Release Management	<ul style="list-style-type: none"> Removed remaining references to DEM Removed section "Variants"
2015-07-31	4.2.2	AUTOSAR Release Management	<ul style="list-style-type: none"> Rephrased SWS_Port_00077, SWS_Port_00087, SWS_Port_00087, SWS_Port_00223 Editorial changes on Chapter 7 Remove SWS_Port_0105 Replace PORT_E_PARAM_CONFIG by PORT_E_INIT_FAILED
2014-10-31	4.2.1	AUTOSAR Release Management	<ul style="list-style-type: none"> Editorial changes
2013-10-31	4.1.2	AUTOSAR Release Management	<ul style="list-style-type: none"> Editorial changes Removed chapter(s) on change documentation

Document Change History			
Date	Release	Changed by	Change Description
2013-03-15	4.1.1	AUTOSAR Administration	<ul style="list-style-type: none"> • PORT_E_UNINIT removed from Port_GetVersionInfo API • Header file structure: MemMap.h changed to Port_MemMap.h and EcuM.h removed • Changed scope of configuration parameters from "module" to "local" • Removal of specification items covered by the new SWS BSW General • Formal rework
2011-12-22	4.0.3	AUTOSAR Administration	<ul style="list-style-type: none"> • Removed Port132 and updated Figure 1 • Rephrased SWS_Port_00114 and SWS_Port_00075 • Removed Port210 • Added Chapter 12
2010-09-30	3.1.5	AUTOSAR Administration	<ul style="list-style-type: none"> • A lot of requirements are changed to make them atomic or /and more clear. No technical content changes. Look Chapter 14 for the complete list. • Debugging Concept Inserted. • Insertion of the new configuration parameter to enable or disable the mode of the port pins at run time. • Checking of Port_GetVersionInfo. • Legal disclaimer revised
2009-02-04	3.1.2	AUTOSAR CM	<ul style="list-style-type: none"> • Updated document to new SWS macros and updated links to generated content
2009-07-24	3.1.3	AUTOSAR Administration	<ul style="list-style-type: none"> • Legal disclaimer revised
2008-08-13	3.1.1	AUTOSAR Administration	<ul style="list-style-type: none"> • Table formatting corrected

Document Change History			
Date	Release	Changed by	Change Description
2008-02-01	3.0.2	AUTOSAR Administration	<ul style="list-style-type: none"> • Update to Chapter 10 configuration. • Inclusion of Port Container • Inclusion of new SRS general requirements • Removal of redundant function: Dem_ReportErrorEvent() • Development errors and error codes added • Rewording of requirements (as part of the SWS Improvements) • Renaming of configuration parameter (PORT_PIN_DIRECTION_CHANGES_ALLOWED -> PORT_SEP_PIN_DIRECTION_API) • Technical Office Improvements: wording improvements, alignment of API description. • Document meta information extended • Small layout adaptations made

Document Change History			
Date	Release	Changed by	Change Description
2007-01-24	2.1.15	AUTOSAR Administration	<ul style="list-style-type: none"> • New API introduced: Port_SetPinMode() • New Module type definition: Port_PinModeType • Updated to section 5.1.2: Inclusion of new file structure information • Inclusion of new pre-processor switch PortSetPinModeApi • New configurable parameter introduced: PortPinInitialMode • Rewording of requirement SWS_Port_00105. • Removal of redundant requirements PORT119 and PORT026 in requirements matrix. • • Legal disclaimer revised • Release Notes added • “Advice for users” revised • “Revision Information” added
2006-05-16	2.0	AUTOSAR Administration	<ul style="list-style-type: none"> • Document structure adapted to common Release 2.0 SWS Template. • Major changes in chapter 10 • Structure of document changed partly • Other changes see chapter 11
2005-05-31	1.0	AUTOSAR Administration	<ul style="list-style-type: none"> • Initial Release

Disclaimer

This work (specification and/or software implementation) and the material contained in it, as released by AUTOSAR, is for the purpose of information only. AUTOSAR and the companies that have contributed to it shall not be liable for any use of the work.

The material contained in this work is protected by copyright and other types of intellectual property rights. The commercial exploitation of the material contained in this work requires a license to such intellectual property rights.

This work may be utilized or reproduced without any modification, in any form or by any means, for informational purposes only. For any other purpose, no part of the work may be utilized or reproduced, in any form or by any means, without permission in writing from the publisher.

The work has been developed for automotive applications only. It has neither been developed, nor tested for non-automotive applications.

The word AUTOSAR and the AUTOSAR logo are registered trademarks.

Table of Contents

1	Introduction and functional overview	8
2	Acronyms and abbreviations	10
3	Related documentation.....	10
3.1	Input documents	10
3.2	Related standards and norms	11
3.3	Related specification	11
4	Constraints and assumptions	11
4.1	Limitations	11
4.2	Applicability to car domains	11
5	Dependencies to other modules.....	11
5.1	File structure.....	12
5.1.1	Code file structure.....	12
5.1.2	Header file structure.....	12
6	Requirements traceability	13
7	Functional specification	19
7.1	General Behaviour.....	19
7.1.1	Background & Rationale	19
7.1.2	Requirements.....	19
7.1.3	Version Check.....	21
7.2	Error classification	21
7.2.1	Development Errors	21
7.2.2	Runtime Errors.....	21
7.2.3	Transient Faults	21
7.2.4	Production Errors	22
7.3	Error detection	22
7.4	Error notification	22
7.5	API Parameter checking.....	22
8	API specification.....	23
8.1	Imported types.....	23
8.2	Type definitions	23
8.2.1	Port_ConfigType	23
8.2.2	Port_PinType	24
8.2.3	Port_PinDirectionType	24
8.2.4	Port_PinModeType	25
8.3	Function definitions.....	25
8.3.1	Port_Init	25
8.3.2	Port_SetPinDirection.....	27
8.3.3	Port_RefreshPortDirection	28
8.3.4	Port_GetVersionInfo	28
8.3.5	Port_SetPinMode.....	29
8.4	Call-back notifications.....	29

8.5	Scheduled functions	30
8.6	Expected Interfaces.....	30
8.6.1	Mandatory Interfaces	30
8.6.2	Optional Interfaces.....	30
8.6.3	Configurable Interfaces.....	30
9	Sequence diagrams	30
9.1	Overall Configuration of Ports	30
9.2	Set the direction of a Port Pin.....	31
9.3	Refresh the direction of all Port Pins	31
9.4	Change the mode of a Port Pin	32
10	Configuration specification.....	33
10.1	How to read this chapter	33
10.2	Containers and configuration parameters	33
10.2.1	Port.....	33
10.2.2	PortContainer	34
10.2.3	PortGeneral	35
10.2.4	PortPin.....	37
10.2.5	PortConfigSet	41
10.3	Published Information.....	42
11	Not applicable requirements	42

1 Introduction and functional overview

This specification specifies the functionality, API and the configuration of the AUTOSAR Basic Software module PORT Driver.

This driver specification is applicable for on-chip ports and port pins.

This module shall provide the service for initializing the whole PORT structure of the microcontroller. Many ports and port pins can be assigned to various functionalities, e.g.

- General purpose I/O
- ADC
- SPI
- SCI
- PWM
- CAN
- LIN
- etc

For this reason, there shall be an overall configuration and initialization of this port structure. The configuration and mode of these port pins is microcontroller and ECU dependent.

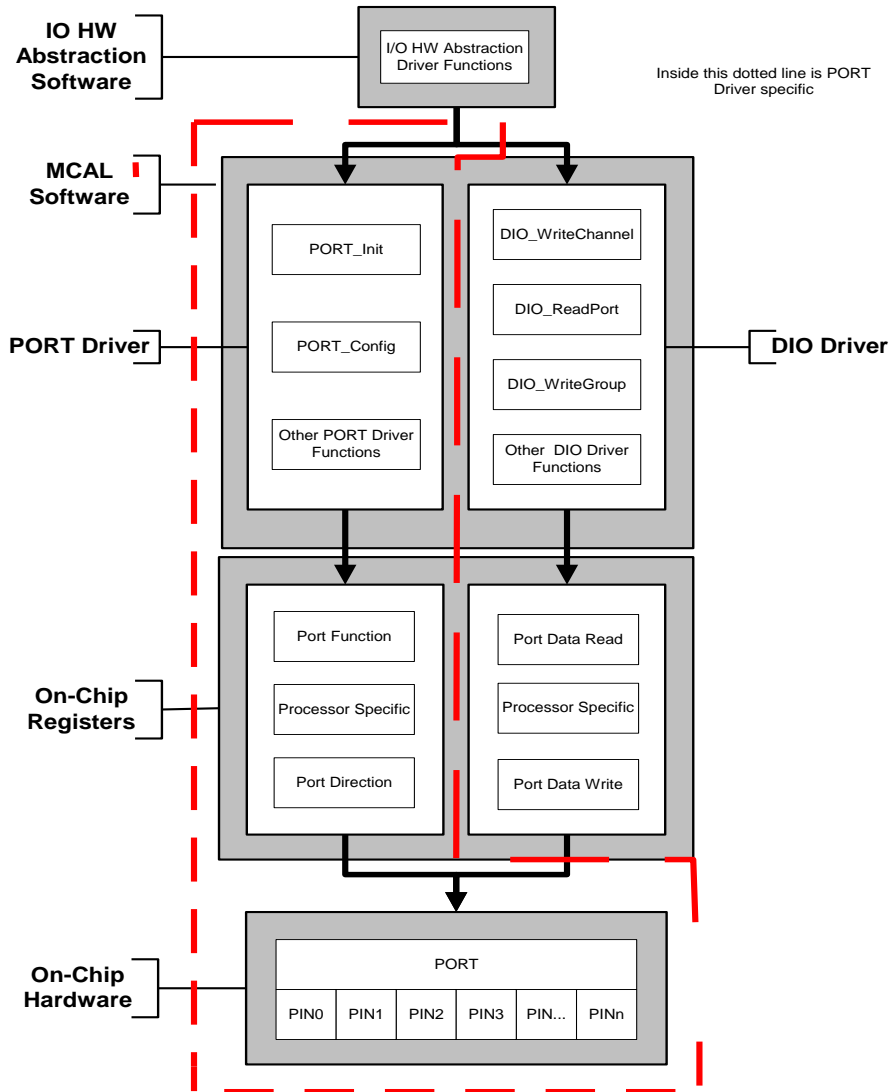
Port initialisation data shall be written to each port as efficiently as possible.

This PORT driver module shall complete the overall configuration and initialisation of the port structure which is used in the DIO driver module. Therefore, the DIO driver works on pins and ports which are configured by the PORT driver.

The PORT driver shall be initialised prior to use of the DIO functions. Otherwise DIO functions will exhibit undefined behaviour.

The diagram below identifies the PORT driver functions, and the structure of the PORT driver and DIO driver within the MCAL software layer.

<i>Driver</i>	<i>Name for a Port Pin</i>	<i>Name for Subset of Adjacent pins on one port</i>	<i>Name for a whole port</i>
DIO Driver	Channel	Channel Group	Port
PORT Driver	Port pin	--	Port



2 Acronyms and abbreviations

The following table summarizes the expressions used within the PORT driver.

Abbreviation / Acronym:	Description:
DEM	Diagnostic Event Manager
DET	Default Error Tracer
MCU	MicroController Unit
Port Pin	Represents a single configurable input or output pin on an MCU device.
Port	Represents a whole configurable port on an MCU device.
Physical Level (Input)	Two states are possible: LOW/HIGH
Physical Level (Output)	Two states are possible: LOW/HIGH

3 Related documentation

3.1 Input documents

- [1] List of Basic Software Modules,
AUTOSAR_TR_BSWModuleList.pdf
- [2] Layered Software Architecture,
AUTOSAR_EXP_LayeredSoftwareArchitecture.pdf
- [3] General Requirements on Basic Software Modules,
AUTOSAR_SRS_BSWGeneral.pdf
- [4] Specification of Default Error Tracer,
AUTOSAR_SWS_DefaultErrorTracer.pdf
- [5] Specification of ECU Configuration,
AUTOSAR_TPS_ECUConfiguration.pdf
- [6] Specification of Diagnostic Event Manager,
AUTOSAR_SWS_DiagnosticEventManager.pdf
- [7] Specification of ECU State Manager,
AUTOSAR_SWS_ECUSTateManager.pdf
- [8] General Requirements on SPAL,
AUTOSAR_SRS_SPALGeneral.pdf
- [9] Requirements on PORT driver,
AUTOSAR_SRS_PORTDriver.pdf

- [10] Specification of Standard Types,
AUTOSAR_SWS_StandardTypes.pdf
- [11] Basic Software Module Description Template,
AUTOSAR_TPS_BSWModuleDescriptionTemplate.pdf
- [12] General Specification of Basic Software Modules
AUTOSAR_SWS_BSWGeneral.pdf

3.2 Related standards and norms

- [13] EC 7498-1 The Basic Model, IEC Norm, 1994

3.3 Related specification

AUTOSAR provides a General Specification on Basic Software modules [12] (SWS BSW General), which is also valid for Port Driver.

Thus, the specification SWS BSW General shall be considered as additional and required specification for Port Driver.

4 Constraints and assumptions

4.1 Limitations

Limitations for the PORT driver are specified as followed:

- It is the user's responsibility to ensure **that** the same Port/Port pin is not being accessed in parallel by different entities in the same system, e.g. **by** two tasks configuring the same port or two tasks configuring the same pin, or two tasks configuring different pins on the same port.

4.2 Applicability to car domains

No restrictions

5 Dependencies to other modules

Other driver modules may be dependent on the PORT driver depending on the available functionality of individual port pins on an MCU. For example, an MCU pin may be configurable as a DIO or SPI pin. Therefore, the DIO and/or the SPI driver modules may be dependent on the PORT module to configure the pin for the desired functionality.

5.1 File structure

5.1.1 Code file structure

For details refer to the chapter 5.1.6 “Code file structure” in *SWS_BSWGeneral*.

5.1.2 Header file structure

[SWS_Port_00080] [The include file structure of the Port Driver shall be as follows:

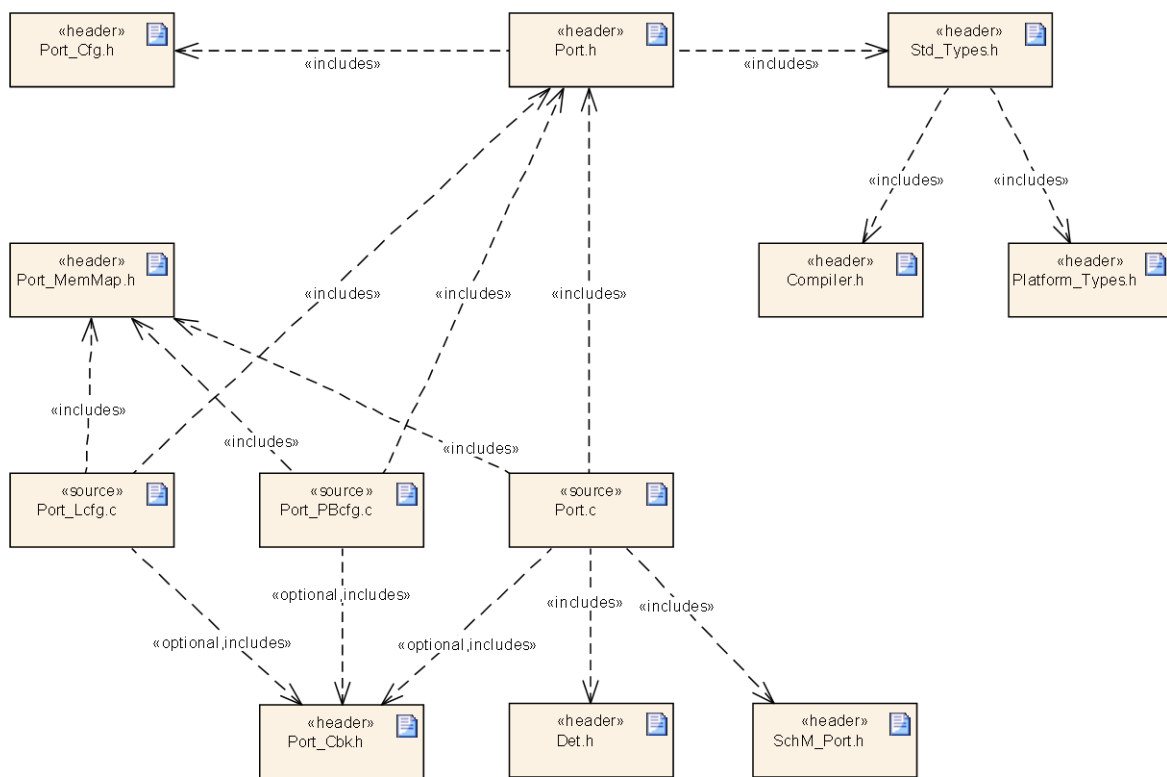


Figure 1 Header File Structure

] (SRS_BSW_00383, SRS_BSW_00384)

[SWS_Port_00130] [Port.h shall include Port_Cfg.h for the API pre-compiler switches and Std_Types.h] ()

[SWS_Port_00131] [Port.c shall include Port.h, Port_MemMap.h, Det.h, SchM_Port.h (see SWS_Port_00114 for inclusion checking).] ()

[SWS_Port_00204] [Port.c shall optionally include Port_Cbk.h.
Port.c has implicit access to the Port_Cfg.h file through the Port.h file.] ()

[SWS_Port_00205] [Port_Lcfg.c shall include Port_MemMap.h and Port.h]
()

[SWS_Port_00133] [Port_PBcfg.c shall include Port_MemMap.h and Port.h

The implicit include of Port_Cfg.h via Port.h in the files Port_Lcfg.c and Port_PBcfg.c is necessary to solve the following construct:

```
Port.h
-----
#ifdef xxx_VERSION_INFO_API
xxx_GetVersionInfo(...)
#endif

Port_Cfg.h
-----
#define xxx_VERSION_INFO_API
```

Note: A separate file type is not required for the PORT driver as the Port Types depend on the platform and are not configurable.] ()

6 Requirements traceability

This chapter refers to the input requirements specified in the SRS documents (Software Requirements Specifications) that are applicable for this software module.

The table below lists the specification items of the PORT driver SWS document that satisfy the input requirements. Only functional requirements are referenced.

Requirement	Description	Satisfied by
SRS_BSW_00005	Modules of the μ C Abstraction Layer (MCAL) may not have hard coded horizontal interfaces	SWS_Port_00227
SRS_BSW_00006	The source code of software modules above the μ C Abstraction Layer (MCAL) shall not be processor and compiler dependent.	SWS_Port_00227
SRS_BSW_00007	All Basic SW Modules written in C language shall conform to the MISRA C 2012 Standard.	SWS_Port_00227
SRS_BSW_00010	The memory consumption of all Basic SW Modules shall be documented for a defined configuration for all supported platforms.	SWS_Port_00227
SRS_BSW_00101	The Basic Software Module shall be able to initialize variables and hardware in a separate initialization function	SWS_Port_00001, SWS_Port_00002, SWS_Port_00041,

		SWS_Port_00042
SRS_BSW_00159	All modules of the AUTOSAR Basic Software shall support a tool based configuration	SWS_Port_00004
SRS_BSW_00160	Configuration files of AUTOSAR Basic SW module shall be readable for human beings	SWS_Port_00227
SRS_BSW_00161	The AUTOSAR Basic Software shall provide a microcontroller abstraction layer which provides a standardized interface to higher software layers	SWS_Port_00227
SRS_BSW_00162	The AUTOSAR Basic Software shall provide a hardware abstraction layer	SWS_Port_00227
SRS_BSW_00164	The Implementation of interrupt service routines shall be done by the Operating System, complex drivers or modules	SWS_Port_00227
SRS_BSW_00167	All AUTOSAR Basic Software Modules shall provide configuration rules and constraints to enable plausibility checks	SWS_Port_00227
SRS_BSW_00168	SW components shall be tested by a function defined in a common API in the Basis-SW	SWS_Port_00227
SRS_BSW_00170	The AUTOSAR SW Components shall provide information about their dependency from faults, signal qualities, driver demands	SWS_Port_00227
SRS_BSW_00172	The scheduling strategy that is built inside the Basic Software Modules shall be compatible with the strategy used in the system	SWS_Port_00227
SRS_BSW_00307	Global variables naming convention	SWS_Port_00227
SRS_BSW_00308	AUTOSAR Basic Software Modules shall not define global data in their header files, but in the C file	SWS_Port_00227
SRS_BSW_00309	All AUTOSAR Basic Software Modules shall indicate all global data with read-only purposes by explicitly assigning the const keyword	SWS_Port_00227
SRS_BSW_00321	The version numbers of AUTOSAR Basic Software Modules shall be enumerated according specific rules	SWS_Port_00227
SRS_BSW_00323	All AUTOSAR Basic Software Modules shall check passed API parameters for validity	SWS_Port_00087
SRS_BSW_00325	The runtime of interrupt service routines and functions that are running in interrupt context shall be kept short	SWS_Port_00227
SRS_BSW_00327	Error values naming convention	SWS_Port_00051
SRS_BSW_00328	All AUTOSAR Basic Software Modules shall avoid the duplication of code	SWS_Port_00227
SRS_BSW_00330	It shall be allowed to use macros instead of functions where source code is used and runtime is critical	SWS_Port_00227

SRS_BSW_00331	All Basic Software Modules shall strictly separate error and status information	SWS_Port_00227
SRS_BSW_00333	For each callback function it shall be specified if it is called from interrupt context or not	SWS_Port_00227
SRS_BSW_00334	All Basic Software Modules shall provide an XML file that contains the meta data	SWS_Port_00227
SRS_BSW_00335	Status values naming convention	SWS_Port_00227
SRS_BSW_00336	Basic SW module shall be able to shutdown	SWS_Port_00227
SRS_BSW_00337	Classification of development errors	SWS_Port_00051
SRS_BSW_00341	Module documentation shall contains all needed informations	SWS_Port_00227
SRS_BSW_00342	It shall be possible to create an AUTOSAR ECU out of modules provided as source code and modules provided as object code, even mixed	SWS_Port_00227
SRS_BSW_00343	The unit of time for specification and configuration of Basic SW modules shall be preferably in physical time unit	SWS_Port_00227
SRS_BSW_00344	BSW Modules shall support link-time configuration	SWS_Port_00227
SRS_BSW_00347	A Naming separation of different instances of BSW drivers shall be in place	SWS_Port_00227
SRS_BSW_00357	For success/failure of an API call a standard return type shall be defined	SWS_Port_00227
SRS_BSW_00358	The return type of init() functions implemented by AUTOSAR Basic Software Modules shall be void	SWS_Port_00140
SRS_BSW_00359	All AUTOSAR Basic Software Modules callback functions shall avoid return types other than void if possible	SWS_Port_00227
SRS_BSW_00360	AUTOSAR Basic Software Modules callback functions are allowed to have parameters	SWS_Port_00227
SRS_BSW_00371	The passing of function pointers as API parameter is forbidden for all AUTOSAR Basic Software Modules	SWS_Port_00227
SRS_BSW_00373	The main processing function of each AUTOSAR Basic Software Module shall be named according the defined convention	SWS_Port_00227
SRS_BSW_00375	Basic Software Modules shall report wake-up reasons	SWS_Port_00227
SRS_BSW_00377	A Basic Software Module can return a module specific types	SWS_Port_00227
SRS_BSW_00378	AUTOSAR shall provide a boolean type	SWS_Port_00227
SRS_BSW_00383	The Basic Software Module specifications shall specify which other configuration files from other modules they use at least in the description	SWS_Port_00080
SRS_BSW_00384	The Basic Software Module specifications	SWS_Port_00080

	shall specify at least in the description which other modules they require	
SRS_BSW_00385	List possible error notifications	SWS_Port_00051
SRS_BSW_00395	The Basic Software Module specifications shall list all configuration parameter dependencies	SWS_Port_00227
SRS_BSW_00398	The link-time configuration is achieved on object code basis in the stage after compiling and before linking	SWS_Port_00227
SRS_BSW_00404	BSW Modules shall support post-build configuration	SWS_Port_00041
SRS_BSW_00406	A static status variable denoting if a BSW module is initialized shall be initialized with value 0 before any APIs of the BSW module is called	SWS_Port_00051, SWS_Port_00087
SRS_BSW_00413	An index-based accessing of the instances of BSW modules shall be done	SWS_Port_00227
SRS_BSW_00414	Init functions shall have a pointer to a configuration structure as single parameter	SWS_Port_00121
SRS_BSW_00416	The sequence of modules to be initialized shall be configurable	SWS_Port_00227
SRS_BSW_00417	Software which is not part of the SW-C shall report error events only after the DEM is fully operational.	SWS_Port_00227
SRS_BSW_00419	If a pre-compile time configuration parameter is implemented as "const" it should be placed into a separate c-file	SWS_Port_00227
SRS_BSW_00423	BSW modules with AUTOSAR interfaces shall be describable with the means of the SW-C Template	SWS_Port_00227
SRS_BSW_00424	BSW module main processing functions shall not be allowed to enter a wait state	SWS_Port_00227
SRS_BSW_00425	The BSW module description template shall provide means to model the defined trigger conditions of schedulable objects	SWS_Port_00227
SRS_BSW_00426	BSW Modules shall ensure data consistency of data which is shared between BSW modules	SWS_Port_00227
SRS_BSW_00427	ISR functions shall be defined and documented in the BSW module description template	SWS_Port_00227
SRS_BSW_00428	A BSW module shall state if its main processing function(s) has to be executed in a specific order or sequence	SWS_Port_00227
SRS_BSW_00429	Access to OS is restricted	SWS_Port_00227
SRS_BSW_00432	Modules should have separate main processing functions for read/receive and write/transmit data path	SWS_Port_00227
SRS_BSW_00433	Main processing functions are only allowed to be called from task bodies provided by	SWS_Port_00227

	the BSW Scheduler	
SRS_BSW_00437	Memory mapping shall provide the possibility to define RAM segments which are not to be initialized during startup	SWS_Port_00227
SRS_BSW_00439	Enable BSW modules to handle interrupts	SWS_Port_00227
SRS_BSW_00440	The callback function invocation by the BSW module shall follow the signature provided by RTE to invoke servers via Rte_Call API	SWS_Port_00227
SRS_Port_12001	The Port driver shall allow the static configuration of the following options for each port	SWS_Port_00004, SWS_Port_00072, SWS_Port_00079
SRS_Port_12300	Ports and port pins that are not used shall be set to a defined state	SWS_Port_00005
SRS_Port_12302	The port driver shall allow the static configuration of the port pin names	SWS_Port_00006
SRS_Port_12405	The Port driver shall provide a service for setting the direction of port pins during runtime	SWS_Port_00063, SWS_Port_00086, SWS_Port_00138
SRS_Port_12406	The Port driver shall provide a service to refresh the direction of all configured ports	SWS_Port_00060, SWS_Port_00061
SRS_SPAL_00157	All drivers and handlers of the AUTOSAR Basic Software shall implement notification mechanisms of drivers and handlers	SWS_Port_00227
SRS_SPAL_12056	All driver modules shall allow the static configuration of notification mechanism	SWS_Port_00227
SRS_SPAL_12057	All driver modules shall implement an interface for initialization	SWS_Port_00041, SWS_Port_00042, SWS_Port_00043
SRS_SPAL_12063	All driver modules shall only support raw value mode	SWS_Port_00227
SRS_SPAL_12064	All driver modules shall raise an error if the change of the operation mode leads to degradation of running operations	SWS_Port_00227
SRS_SPAL_12067	All driver modules shall set their wake-up conditions depending on the selected operation mode	SWS_Port_00227
SRS_SPAL_12068	The modules of the MCAL shall be initialized in a defined sequence	SWS_Port_00227
SRS_SPAL_12069	All drivers of the SPAL that wake up from a wake-up interrupt shall report the wake-up reason	SWS_Port_00227
SRS_SPAL_12075	All drivers with random streaming capabilities shall use application buffers	SWS_Port_00227
SRS_SPAL_12077	All drivers shall provide a non blocking implementation	SWS_Port_00227
SRS_SPAL_12078	The drivers shall be coded in a way that is most efficient in terms of memory and runtime resources	SWS_Port_00227
SRS_SPAL_12092	The driver's API shall be accessed by its	SWS_Port_00227

	handler or manager	
SRS_SPAL_12125	All driver modules shall only initialize the configured resources	SWS_Port_00041, SWS_Port_00042
SRS_SPAL_12129	The ISRs shall be responsible for resetting the interrupt flags and calling the according notification function	SWS_Port_00227
SRS_SPAL_12163	All driver modules shall implement an interface for de-initialization	SWS_Port_00003
SRS_SPAL_12169	All driver modules that provide different operation modes shall provide a service for mode selection	SWS_Port_00227
SRS_SPAL_12263	The implementation of all driver modules shall allow the configuration of specific module parameter types at link time	SWS_Port_00041
SRS_SPAL_12265	Configuration data shall be kept constant	SWS_Port_00227
SRS_SPAL_12267	Wakeup sources shall be initialized by MCAL drivers and/or the MCU driver	SWS_Port_00227
SRS_SPAL_12448	All driver modules shall have a specific behavior after a development error detection	SWS_Port_00077
SRS_SPAL_12461	Specific rules regarding initialization of controller registers shall apply to all driver implementations	SWS_Port_00113, SWS_Port_00214, SWS_Port_00215, SWS_Port_00217, SWS_Port_00218
SRS_SPAL_12462	The register initialization settings shall be published	SWS_Port_00227
SRS_SPAL_12463	The register initialization settings shall be combined and forwarded	SWS_Port_00227

7 Functional specification

7.1 General Behaviour

7.1.1 Background & Rationale

[SWS_Port_00001] [The PORT Driver module shall initialize the whole port structure of the microcontroller.] (SRS_BSW_00101)

Note: Defining the order in which the ports and port pins are configured is the task of the configuration tool.

7.1.2 Requirements

7.1.2.1 Configuration of Port Pin Properties

[SWS_Port_00004] [The PORT Driver module shall allow the configuration of different functionality for each port and port pin, e.g. ADC, SPI, DIO etc.] (SRS_BSW_00159, SRS_Port_12001)

The configuration of the port (i.e. whole port or single port pin) is microcontroller dependent.

[SWS_Port_00079] [The PORT Driver module shall provide additional configurations for the MCU port/port pins:

- Pin direction (input/output)
- Pin level initial value
- Pin direction changeable during runtime (yes/no).
- Port mode changeable during runtime.] (SRS_Port_12001)

[SWS_Port_00081] [The PORT Driver module shall provide a number of optional configurations for the MCU ports and port pins (if supported by hardware):

- Slew rate control
- Activation of internal pull-ups
- Input Thresholds
- Pin driven mode (push-pull / open drain).
- Type of Readback support (pin level, output register value).] ()

[SWS_Port_00082] [The PORT Driver module shall not provide the facility to configure pin level inversion. The default value shall be set (i.e. not inverted).] ()

Note: The IO Hardware Abstraction layer shall carry out level inversion.

7.1.2.2 Switch port pin direction

[SWS_Port_00137] [For the port pins configured as changeable using the configuration tool, the PORT driver shall allow the user to change the direction of port pins during runtime.] ()

[SWS_Port_00138] [If the MCU port control hardware provides an output latch for setting the output level on a port pin, switching the port pin direction shall not alter the level set in this output latch.] (SRS_Port_12405)

7.1.2.3 Refresh port direction

[SWS_Port_00066] [For refreshing of the port on the microcontroller, the PORT driver shall allow the user to refresh the direction of those port pins whose direction is set by configuration and cannot be changed dynamically.] ()

7.1.2.4 Configuration of unused Ports and Port Pins

[SWS_Port_00005] [The PORT Driver module shall configure all ports and port pins that are not used (neither as GPIO nor special purpose IO) to be set to a defined state by the PORT Driver module configuration.] (SRS_Port_12300)

7.1.2.5 Configuration of symbolic names

[SWS_Port_00006] [The user of the PORT Driver module shall configure the symbolic names of the port pins of the MCU.] (SRS_Port_12302)

[SWS_Port_00207] [These symbolic names for the individual port pins (e.g. PORT_A_PIN_0) shall be defined in the configuration tool.] ()

[SWS_Port_00076] [The PORT Driver module's implementer shall define symbolic names in the file `Port_Cfg.h`] ()

[SWS_Port_00208] [The PORT Driver module's implementer shall publish the symbolic names through the file `Port.h`] ()

7.1.2.6 Atomicity of port access

[SWS_Port_00075] [The PORT Driver module shall provide atomic access to all ports and port pins.] ()

Note:

An atomic access is a non interruptible access to Microcontroller registers by the use of either atomic instructions or the usage of an exclusive area

(interrupt disabling for example) provided by the basic software scheduler module.

7.1.3 Version Check

7.1.3.1 Background and Rationale

The integration of incompatible files shall be avoided. Minimum implementation is the version check of the header file inside the .c file (version numbers of .c and .h files shall be identical).

7.1.3.2 Requirements

The Port module shall avoid the integration of incompatible files by the following pre-processor checks:

For details refer to the chapter 5.1.8 “Version Check” in *SWS_BSWGeneral*.

7.2 Error classification

7.2.1 Development Errors

[SWS_Port_00051] [The following errors and exceptions shall be detectable by the PORT driver depending on its build version (development/production).

<i>Type of error</i>	<i>Related error code</i>	<i>Value [hex]</i>
Invalid Port Pin ID requested	PORT_E_PARAM_PIN	0x0A
Port Pin not configured as changeable	PORT_E_DIRECTION_UNCHANGEABLE	0x0B
API Port_Init service called with wrong parameter.	PORT_E_INIT_FAILED	0x0C
API Port_SetPinMode service called when mode is unchangeable.	PORT_E_PARAM_INVALID_MODE	0x0D
	PORT_E_MODE_UNCHANGEABLE	0x0E
API service called without module initialization	PORT_E_UNINIT	0x0F
APIs called with a Null Pointer	PORT_E_PARAM_POINTER	0x10

] (SRS_BSW_00327, SRS_BSW_00337, SRS_BSW_00385, SRS_BSW_00406)

7.2.2 Runtime Errors

There are no runtime errors.

7.2.3 Transient Faults

There are no transient faults.

7.2.4 Production Errors

There are no production errors.

7.3 Error detection

For details refer to the chapter 7.3 “Error Detection” in *SWS_BSWGeneral*.

7.4 Error notification

For details refer to the chapter 7.4 “Error notification” in *SWS_BSWGeneral*.

7.5 API Parameter checking

[SWS_Port_00077] [If development error detection is enabled the Port Driver module shall check the function parameters in the order in which they are passed and skip further parameter checking if one check fails.

Example: For the function `Port_SetPinDirection`, the first parameter to be passed is the pin ID. This parameter shall identify the relevant port pin of the MCU’s port. The second parameter passed corresponds to the direction to change on the port pin.] (SRS_SPAL_12448)

[SWS_Port_00087] [If development error detection is enabled and the Port Driver module has detected an error, the desired functionality shall be skipped and the requested service shall return without any action.] (SRS_BSW_00323, SRS_BSW_00406)

See table below for a list of the Det errors reported by each function.

Function	Error Condition	Related error value
Port_SetPinDirection	Incorrect Port Pin ID passed	PORT_E_PARAM_PIN
	Port Pin not configured as changeable	PORT_E_DIRECTION_UNCHANGEABLE
Port_Init	Port_Init service called with wrong parameter.	PORT_E_INIT_FAILED
Port_SetPinMode	Incorrect Port Pin ID passed	PORT_E_PARAM_PIN
	Port Pin Mode passed not valid	PORT_E_PARAM_INVALID_MODE

	Port_SetPinMode service called when the mode is unchangeable	PORT_E_MODE_UNCHANGEABLE
Port_SetPinDirection, Port_SetPinMode, Port_RefreshPortDirection	API service called prior to module initialization	PORT_E_UNINIT
Port_GetVersionInfo	Api called with a NULL Pointer Parameter	PORT_E_PARAM_POINTER

8 API specification

8.1 Imported types

In this chapter, all types included from the following files are listed:

[SWS_Port_00129] [

Module	Imported Type
Std_Types	Std_ReturnType
	Std_VersionInfoType

] ()

8.2 Type definitions

8.2.1 Port_ConfigType

[SWS_Port_00228] [

Name:	Port_ConfigType	
Type:	Structure	
Range:	Hardware Dependent Structure	The contents of the initialization data structure are specific to the microcontroller.
Description:	Type of the external data structure containing the initialization data for this module.	

] ()

[SWS_Port_00073] [The type `Port_ConfigType` is a type for the external data structure containing the initialization data for the PORT Driver.] ()

Note: The user shall use the symbolic names defined in the configuration tool.

Note: The configuration of each port pin is MCU specific. Therefore, it is not possible to include a complete list of different configurations in this specification.

[SWS_Port_00072] [A list of possible port configurations for the structure `Port_ConfigType` is given below:

- Pin mode (e.g. DIO, ADC, SPI ...) – this port pin configuration is mandatory unless the port pin is configured for DIO.

- Pin direction (input, output) – this port pin configuration is mandatory when the port pin is to be used for DIO.
- Pin level init value (see [SWS_Port_00055](#)) – this port pin configuration is mandatory when the port pin is used for DIO.
- Pin direction changeable during runtime (STD_ON/STD_OFF) – this port pin configuration is MCU dependent.
- Pin mode changeable during runtime (STD_ON/STD_OFF) – configuration is MCU dependent.

Optional parameters (if supported by hardware)

- Slew rate control.
- Activation of internal pull-ups.
- Microcontroller specific port pin properties.] (SRS_Port_12001)

8.2.2 Port_PinType

[SWS_Port_00229] [

Name:	Port_PinType		
Type:	uint		
Range:	0 - <number of port pins:>	--	Shall cover all available port pins. The type should be chosen for the specific MCU platform (best performance).
Description:	Data type for the symbolic name of a port pin.		

] ()

[SWS_Port_00013] [The type `Port_PinType` shall be used for the symbolic name of a Port Pin.] ()

[SWS_Port_00219] [The type `Port_PinType` shall be `uint8`, `uint16` or `uint32` based on the specific MCU platform.] ()

Note: The user shall use the symbolic names provided by the configuration tool.

8.2.3 Port_PinDirectionType

[SWS_Port_00230] [

Name:	Port_PinDirectionType		
Type:	Enumeration		
Range:	PORT_PIN_IN	--	Sets port pin as input.
	PORT_PIN_OUT	--	Sets port pin as output.
Description:	Possible directions of a port pin.		

] ()

[SWS_Port_00046] [The type `Port_PinDirectionType` is a type for defining the direction of a Port Pin.] ()

[SWS_Port_00220] [The type `Port_PinDirectionType` shall be of enumeration type having range as `PORT_PIN_IN` and `PORT_PIN_OUT`.] ()

8.2.4 Port_PinModeType

[SWS_Port_00231] [

Name:	Port_PinModeType		
Type:	uint		
Range:	Implementation specific	--	As several port pin modes shall be configurable on one pin, the range shall be determined by the implementation.
Description:	Different port pin modes.		

] ()

[SWS_Port_00124] [A port pin shall be configurable with a number of port pin modes (type Port_PinModeType).] ()

[SWS_Port_00212] [The type Port_PinModeType shall be used with the function call Port_SetPinMode (see Section 8.3.5).] ()

[SWS_Port_00221] [The type Port_PinModeType shall be uint8, uint16 or uint32.] ()

8.3 Function definitions

This is a list of functions provided for upper layer modules.

8.3.1 Port_Init

[SWS_Port_00140] [

Service name:	Port_Init		
Syntax:	void Port_Init(const Port_ConfigType* ConfigPtr)		
Service ID[hex]:	0x00		
Sync/Async:	Synchronous		
Reentrancy:	Non Reentrant		
Parameters (in):	ConfigPtr		Pointer to configuration set.
Parameters (inout):	None		
Parameters (out):	None		
Return value:	None		
Description:	Initializes the Port Driver module.		

] (SRS_BSW_00358) [SWS_Port_00041] [The function Port_Init shall initialize ALL ports and port pins with the configuration set pointed to by the parameter ConfigPtr.] (SRS_BSW_00101, SRS_BSW_00404, SRS_SPAL_12263, SRS_SPAL_12057, SRS_SPAL_12125)

[SWS_Port_00078] [The Port Driver module's environment shall call the function Port_Init first in order to initialize the port for use.] ()

[SWS_Port_00213] [If `Port_Init` function is not called first, then no operation can occur on the MCU ports and port pins.] ()

[SWS_Port_00042] [The function `Port_Init` shall initialize all configured resources.] (SRS_BSW_00101, SRS_SPAL_12057, SRS_SPAL_12125)

The function `Port_Init` shall apply the following rules regarding initialisation of controller registers.

- **[SWS_Port_00113]** [If the hardware allows for only one usage of the register, the driver module implementing that functionality is responsible for initializing the register.] (SRS_SPAL_12461)
- **[SWS_Port_00214]** [If the register can affect several hardware modules and if it is an I/O register it shall be initialised by this PORT driver.] (SRS_SPAL_12461)
- **[SWS_Port_00215]** [If the register can affect several hardware modules and if it is not an I/O register, it shall be initialised by the MCU driver.] (SRS_SPAL_12461)
- **[SWS_Port_00217]** [One-time writable registers that require initialisation directly after reset shall be initialised by the startup code.] (SRS_SPAL_12461)
- **[SWS_Port_00218]** [All the other registers not mentioned before, shall be initialised by the start-up code.] (SRS_SPAL_12461)

[SWS_Port_00043] [The function `Port_Init` shall avoid glitches and spikes on the affected port pins.] (SRS_SPAL_12057)

[SWS_Port_00071] [The Port Driver module's environment shall call the function `Port_Init` after a reset in order to reconfigure the ports and port pins of the MCU.] ()

[SWS_Port_00002] [The function `Port_Init` shall initialize all variables used by the PORT driver module to an initial state.] (SRS_BSW_00101)

[SWS_Port_00003] [The Port Driver module's environment may also uses the function `Port_Init` to initialize the driver software and reinitialize the ports and port pins to another configured state depending on the configuration set passed to this function.] (SRS_SPAL_12163)

Note: In some cases, MCU port control hardware provides an output latch for setting the output level on a port pin that may be used as a DIO port pin.

[SWS_Port_00055] [The function `Port_Init` shall set the port pin output latch to a default level (defined during configuration) before setting the port pin direction to output.] ()

Requirement SWS_Port_00055 ensures that the default level is immediately output on the port pin when it is set to an output port pin.

Example: On some MCU's, after a power-on-reset, a DIO configurable port pin will be configured as an input pin. If the required configuration of the port pin is an output pin, then the function `Port_Init` shall ensure that the default level is set before switching the functionality of the port pin from input to output.

[SWS_Port_00121] [The function `Port_Init` shall always have a pointer as a parameter, even though for the configuration variant VARIANT-PRE-COMPILE, no configuration set shall be given. In this case, the Port Driver module's environment shall pass a NULL pointer to the function `Port_Init`.] (SRS_BSW_00414)

The Port Driver module's environment shall not call the function `Port_Init` during a running operation. This shall only apply if there is more than one caller of the PORT module.

Configuration of `Port_Init`: All port pins and their functions, and alternate functions shall be configured by the configuration tool.

8.3.2 Port_SetPinDirection

[SWS_Port_00141] [

Service name:	Port_SetPinDirection	
Syntax:	<pre>void Port_SetPinDirection(Port_PinType Pin, Port_PinDirectionType Direction)</pre>	
Service ID[hex]:	0x01	
Sync/Async:	Synchronous	
Reentrancy:	Reentrant	
Parameters (in):	Pin	Port Pin ID number
	Direction	Port Pin Direction
Parameters (inout):	None	
Parameters (out):	None	
Return value:	None	
Description:	Sets the port pin direction	

] () **[SWS_Port_00063]** [The function `Port_SetPinDirection` shall set the port pin direction during runtime.] (SRS_Port_12405)

[SWS_Port_00054] [The function `Port_SetPinDirection` shall be re-entrant if accessing different pins independent of a port.] ()

[SWS_Port_00086] [The function `Port_SetPinDirection` shall only be available to the user if the pre-compile parameter `PortSetPinDirectionApi` is set to TRUE. If set to FALSE, the function `Port_SetPinDirection` is not available. (see also section 8.3.2.] (SRS_Port_12405)

Configuration of `Port_SetPinDirection`: All ports and port pins shall be configured by the configuration tool. See [PORT117](#).

8.3.3 Port_RefreshPortDirection

[SWS_Port_00142] [

Service name:	Port_RefreshPortDirection
Syntax:	<code>void Port_RefreshPortDirection(void)</code>
Service ID[hex]:	0x02
Sync/Async:	Synchronous
Reentrancy:	Non Reentrant
Parameters (in):	None
Parameters (inout):	None
Parameters (out):	None
Return value:	None
Description:	Refreshes port direction.

] () **[SWS_Port_00060]** [The function `Port_RefreshPortDirection` shall refresh the direction of all configured ports to the configured direction (`PortPinDirection`).] (SRS_Port_12406)

[SWS_Port_00061] [The function `Port_RefreshPortDirection` shall exclude those port pins from refreshing that are configured as ‘pin direction changeable during runtime’.] (SRS_Port_12406)

The configuration tool shall provide names for each configured port pin.

8.3.4 Port_GetVersionInfo

[SWS_Port_00143] [

Service name:	Port_GetVersionInfo
Syntax:	<code>void Port_GetVersionInfo(Std_VersionInfoType* versioninfo)</code>
Service ID[hex]:	0x03
Sync/Async:	Synchronous
Reentrancy:	Reentrant
Parameters (in):	None

Parameters (inout):	None
Parameters (out):	versioninfo Pointer to where to store the version information of this module.
Return value:	None
Description:	Returns the version information of this module.

] ()

[SWS_Port_00225] [if Det is enabled, the parameter `versioninfo` shall be checked for being NULL. The error `PORT_E_PARAM_POINTER` shall be reported in case the value is a NULL pointer.] ()

8.3.5 Port_SetPinMode

[SWS_Port_00145] [

Service name:	Port_SetPinMode
Syntax:	void Port_SetPinMode(Port_PinType Pin, Port_PinModeType Mode)
Service ID[hex]:	0x04
Sync/Async:	Synchronous
Reentrancy:	Reentrant
Parameters (in):	Pin Port Pin ID number Mode New Port Pin mode to be set on port pin.
Parameters (inout):	None
Parameters (out):	None
Return value:	None
Description:	Sets the port pin mode.

] ()

[SWS_Port_00125] [The function `Port_SetPinMode` shall set the port pin mode of the referenced pin during runtime.] ()

[SWS_Port_00128] [The function `Port_SetPinMode` shall be re-entrant if accessing different pins, independent of a port.] ()

[SWS_Port_00223] [If Det is enabled, the function `Port_SetPinMode` shall report `PORT_E_MODE_UNCHANGEABLE` error and return without any other action, if the parameter `PortPinModeChangeable` is set to `FALSE`.] ()

Configuration of `Port_SetPinMode`: All ports and port pins shall be configured by the configuration tool. See [PORT117](#).

8.4 Call-back notifications

There are no callback notifications from the PORT driver. The callback notifications are implemented in another module (ICU Driver and/or complex drivers).

8.5 Scheduled functions

There are no scheduled functions within the PORT Driver.

8.6 Expected Interfaces

In this chapter, all interfaces required from other modules are listed.

8.6.1 Mandatory Interfaces

None

8.6.2 Optional Interfaces

This chapter defines all interfaces which are required to fulfill an optional functionality of the module.

[SWS_Port_00146] [

<i>API function</i>	<i>Description</i>
Det_ReportError	Service to report development errors.

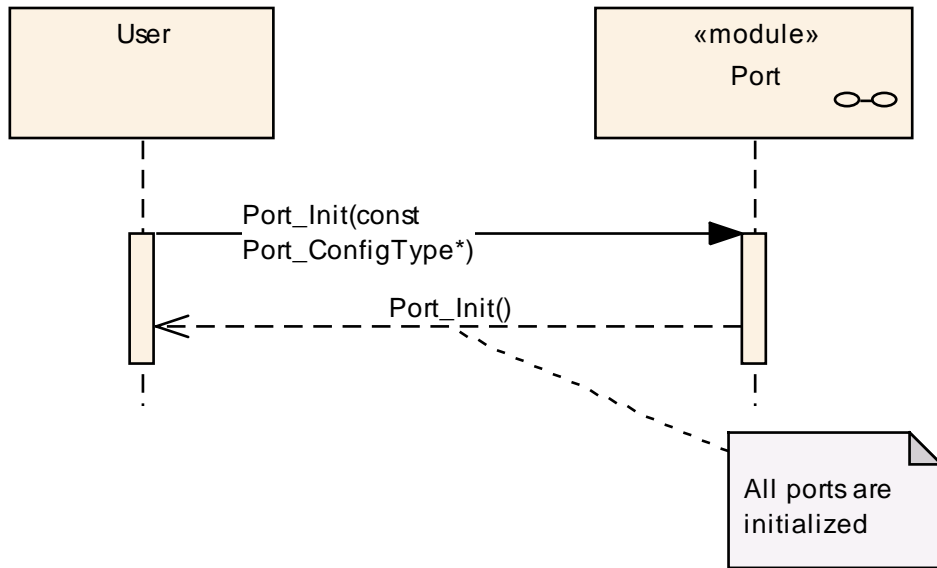
] ()

8.6.3 Configurable Interfaces

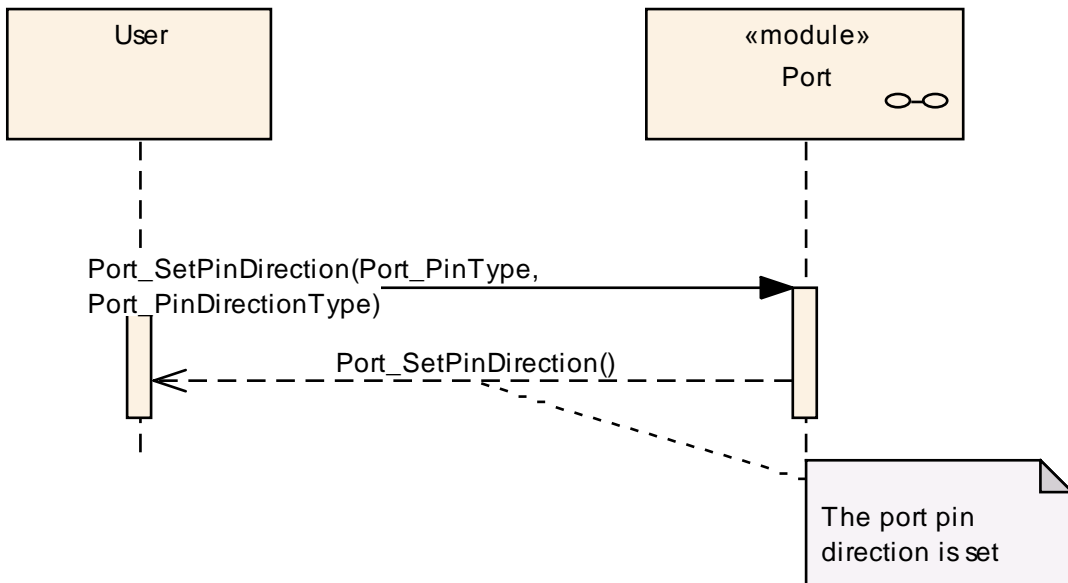
None

9 Sequence diagrams

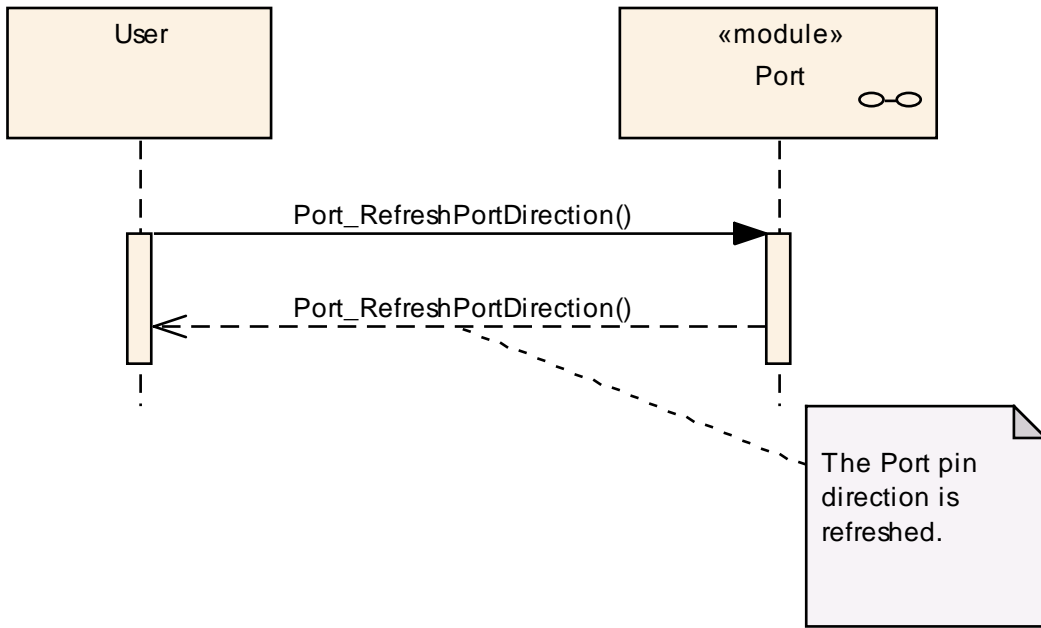
9.1 Overall Configuration of Ports



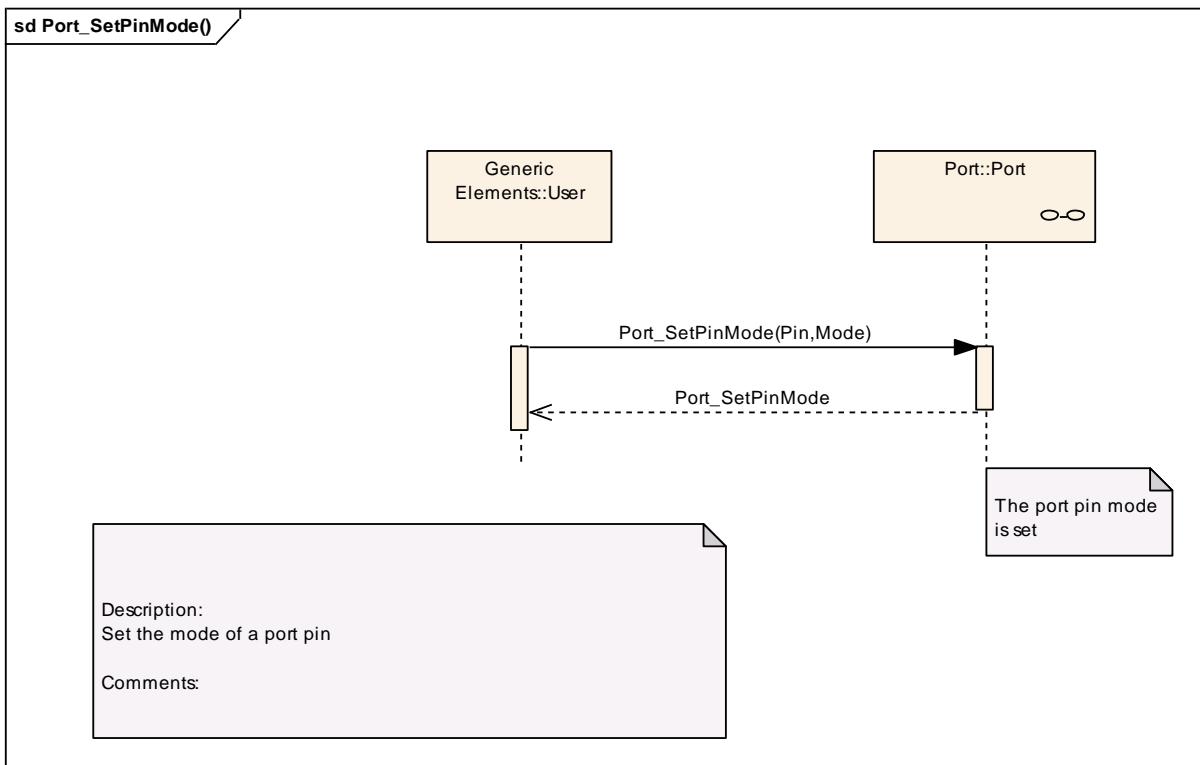
9.2 Set the direction of a Port Pin



9.3 Refresh the direction of all Port Pins



9.4 Change the mode of a Port Pin



10 Configuration specification

In general, this chapter defines configuration parameters and their clustering into containers. In order to support the specification Chapter 10.1 describes fundamentals. It also specifies a template (table) you shall use for the parameter specification. We intend to leave Chapter 10.1 in the specification to guarantee comprehension.

Chapter [10.2](#) specifies the structure (containers) and the parameters of the module PORT

Chapter [10.3](#) specifies published information of the module PORT.

10.1 How to read this chapter

For details refer to the chapter 10.1 “Introduction to configuration specification” in *SWS_BSWGeneral*.

10.2 Containers and configuration parameters

The following chapters summarize all configuration parameters. The detailed meanings of the parameters describe Chapters 7 and Chapter 8.

10.2.1 Port

SWS Item	ECUC_Port_00135 :
Module Name	<i>Port</i>
Module Description	Configuration of the Port module.
Post-Build Variant Support	true
Supported Config Variants	VARIANT-POST-BUILD, VARIANT-PRE-COMPILE

Included Containers		
Container Name	Multiplicity	Scope / Dependency
PortConfigSet	1	This container contains the configuration parameters and sub containers of the AUTOSAR Port module.
PortGeneral	1	Module wide configuration parameters of the PORT driver.

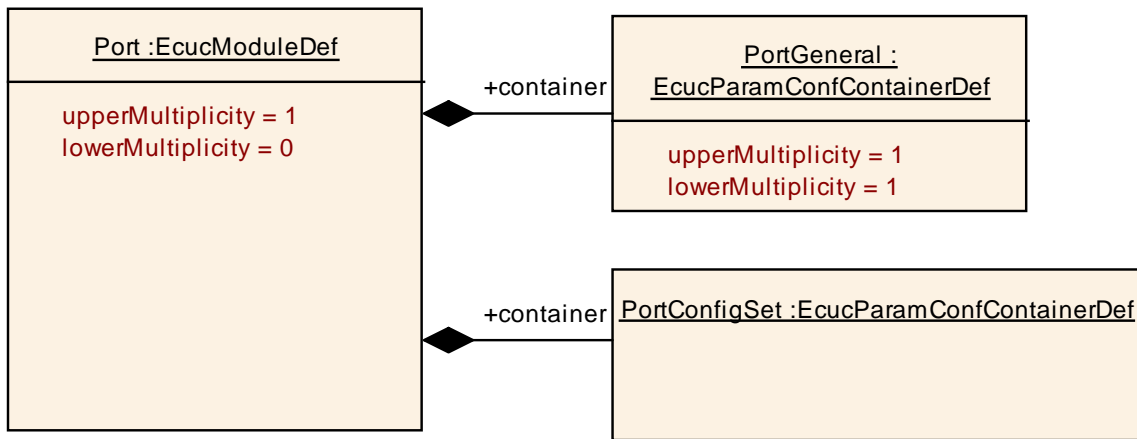


Figure 2 Port Configuration Overview

10.2.2 PortContainer

SWS Item	ECUC_Port_00122 :
Container Name	PortContainer
Description	Container collecting the PortPins.
Configuration Parameters	

SWS Item	ECUC_Port_00124 :									
Name	PortNumberOfPortPins									
Parent Container	PortContainer									
Description	The number of specified PortPins in this PortContainer.									
Multiplicity	1									
Type	EcucIntegerParamDef									
Range	1 .. 65535									
Default value	--									
Post-Build Variant Value	false									
Value Configuration Class	<table border="1"> <tr> <td>Pre-compile time</td> <td>X</td> <td>All Variants</td> </tr> <tr> <td>Link time</td> <td>--</td> <td></td> </tr> <tr> <td>Post-build time</td> <td>--</td> <td></td> </tr> </table>	Pre-compile time	X	All Variants	Link time	--		Post-build time	--	
Pre-compile time	X	All Variants								
Link time	--									
Post-build time	--									
Scope / Dependency	scope: local									

Included Containers		
Container Name	Multiplicity	Scope / Dependency
PortPin	1..*	Configuration of the individual port pins.

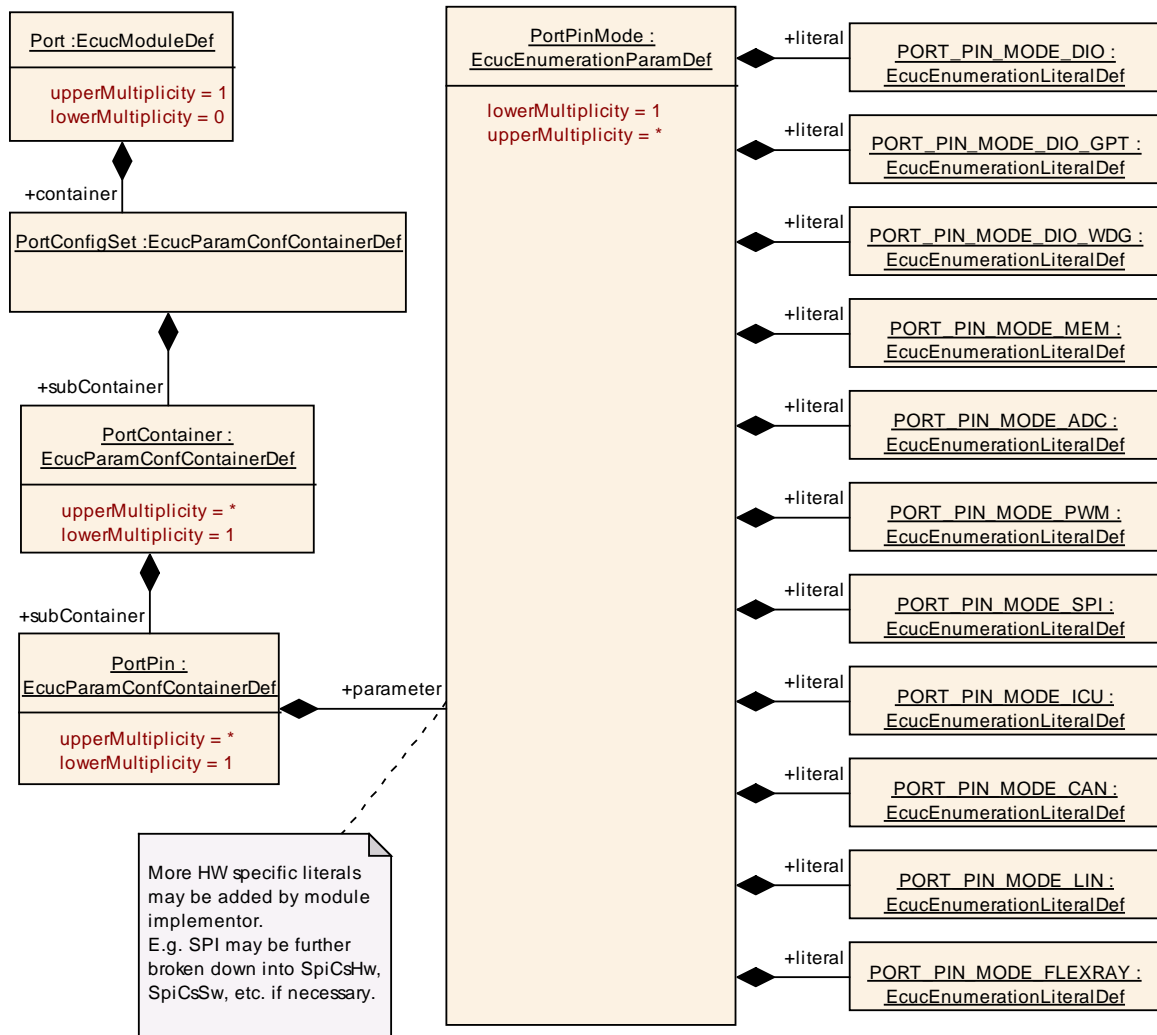


Figure 3 PortContainer Parameters Overview

10.2.3 PortGeneral

SWS Item	ECUC_Port_00117 :
Container Name	PortGeneral
Description	Module wide configuration parameters of the PORT driver.
Configuration Parameters	

SWS Item	ECUC_Port_00123 :
Name	PortDevErrorDetect
Parent Container	PortGeneral
Description	Switches the development error detection and notification on or off. <ul style="list-style-type: none"> • true: detection and notification is enabled. • false: detection and notification is disabled.

Multiplicity	1		
Type	EcucBooleanParamDef		
Default value	false		
Post-Build Variant Value	false		
Value Configuration Class	Pre-compile time	X	All Variants
	Link time	--	
	Post-build time	--	
Scope / Dependency	scope: local		

SWS Item	ECUC_Port_00131 :		
Name	PortSetPinDirectionApi		
Parent Container	PortGeneral		
Description	Pre-processor switch to enable / disable the use of the function Port_SetPinDirection(). TRUE: Enabled - Function Port_SetPinDirection() is available. FALSE: Disabled - Function Port_SetPinDirection() is not available.		
Multiplicity	1		
Type	EcucBooleanParamDef		
Default value	--		
Post-Build Variant Value	false		
Value Configuration Class	Pre-compile time	X	All Variants
	Link time	--	
	Post-build time	--	
Scope / Dependency	scope: local		

SWS Item	ECUC_Port_00132 :		
Name	PortSetPinModeApi		
Parent Container	PortGeneral		
Description	Pre-processor switch to enable / disable the use of the function Port_SetPinMode(). true: Enabled - Function Port_SetPinMode() is available. false: Disabled - Function Port_SetPinMode() is not available.		
Multiplicity	1		
Type	EcucBooleanParamDef		
Default value	--		
Post-Build Variant Value	false		
Value Configuration Class	Pre-compile time	X	All Variants
	Link time	--	
	Post-build time	--	
Scope / Dependency	scope: local		

SWS Item	ECUC_Port_00133 :		
Name	PortVersionInfoApi		
Parent Container	PortGeneral		
Description	Pre-processor switch to enable / disable the API to read out the modules version information. true: Version info API enabled. false: Version info API disabled.		
Multiplicity	1		

Type	EcucBooleanParamDef		
Default value	false		
Post-Build Variant Value	false		
Value Configuration Class	Pre-compile time	X	All Variants
	Link time	--	
	Post-build time	--	
Scope / Dependency	scope: local		

No Included Containers

The top level Port Driver container holds parameters that apply to the PORT configuration.

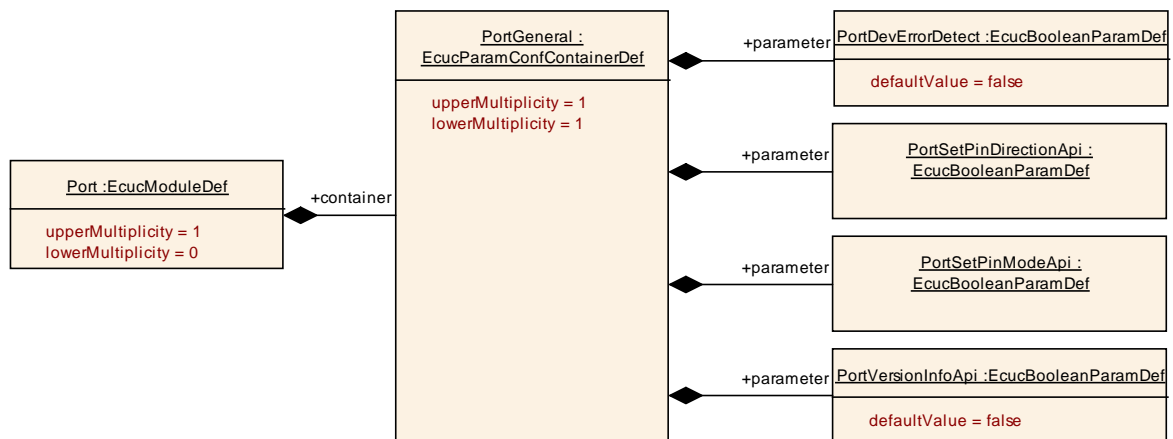


Figure 4 PortGeneral Parameters Overview

10.2.4 PortPin

SWS Item	ECUC_Port_00118 :
Container Name	PortPin
Description	Configuration of the individual port pins.
Configuration Parameters	

SWS Item	ECUC_Port_00125 :
Name	PortPinDirection
Parent Container	PortPin
Description	The initial direction of the pin (IN or OUT). If the direction is not changeable, the value configured here is fixed. The direction must match the pin mode. E.g. a pin used for an ADC must be configured to be an in port. Implementation Type: Port_PinDirectionType
Multiplicity	1
Type	EcucEnumerationParamDef
Range	PORT_PIN_IN Port Pin direction set as input

	PORT_PIN_OUT	Port Pin direction set as output	
Post-Build Variant Value	true		
Value Configuration Class	<i>Pre-compile time</i>	X	VARIANT-PRE-COMPILE
	<i>Link time</i>	--	
	<i>Post-build time</i>	X	VARIANT-POST-BUILD
Scope / Dependency	scope: local		

SWS Item	ECUC_Port_00126 :		
Name	PortPinDirectionChangeable		
Parent Container	PortPin		
Description	Parameter to indicate if the direction is changeable on a port pin during runtime. true: Port Pin direction changeable enabled. false: Port Pin direction changeable disabled.		
Multiplicity	1		
Type	EcucBooleanParamDef		
Default value	--		
Post-Build Variant Value	true		
Value Configuration Class	<i>Pre-compile time</i>	X	VARIANT-PRE-COMPILE
	<i>Link time</i>	--	
	<i>Post-build time</i>	X	VARIANT-POST-BUILD
Scope / Dependency	scope: local		

SWS Item	ECUC_Port_00127 :		
Name	PortPinId		
Parent Container	PortPin		
Description	Pin Id of the port pin. This value will be assigned to the symbolic name derived from the port pin container short name.		
Multiplicity	1		
Type	EcucIntegerParamDef (Symbolic Name generated for this parameter)		
Range	1 .. 65535		
Default value	--		
Post-Build Variant Value	false		
Value Configuration Class	<i>Pre-compile time</i>	X	All Variants
	<i>Link time</i>	--	
	<i>Post-build time</i>	--	
Scope / Dependency	scope: local		

SWS Item	ECUC_Port_00128 :		
Name	PortPinInitialMode		
Parent Container	PortPin		
Description	Port pin mode from mode list for use with Port_Init() function.		
Multiplicity	1		
Type	EcucEnumerationParamDef		
Range	PORT_PIN_MODE_ADC	Port Pin used by ADC	
	PORT_PIN_MODE_CAN	Port Pin used for CAN	
	PORT_PIN_MODE_DIO	Port Pin configured for DIO. It	

		shall be used under control of the DIO driver.	
	PORT_PIN_MODE_DIO_GPT	Port Pin configured for DIO. It shall be used under control of the general purpose timer driver.	
	PORT_PIN_MODE_DIO_WDG	Port Pin configured for DIO. It shall be used under control of the watchdog driver.	
	PORT_PIN_MODE_FLEXRAY	Port Pin used for FlexRay	
	PORT_PIN_MODE_ICU	Port Pin used by ICU	
	PORT_PIN_MODE_LIN	Port Pin used for LIN	
	PORT_PIN_MODE_MEM	Port Pin used for external memory under control of a memory driver.	
	PORT_PIN_MODE_PWM	Port Pin used by PWM	
	PORT_PIN_MODE_SPI	Port Pin used by SPI	
Post-Build Variant Value	true		
Value Configuration Class	Pre-compile time	X	VARIANT-PRE-COMPILE
	Link time	--	
	Post-build time	X	VARIANT-POST-BUILD
Scope / Dependency	scope: local		

SWS Item	ECUC_Port_00129 :		
Name	PortPinLevelValue		
Parent Container	PortPin		
Description	Port Pin Level value from Port pin list.		
Multiplicity	1		
Type	EcucEnumerationParamDef		
Range	PORT_PIN_LEVEL_HIGH	Port Pin level is High	
	PORT_PIN_LEVEL_LOW	Port Pin level is LOW	
Post-Build Variant Value	true		
Value Configuration Class	Pre-compile time	X	VARIANT-PRE-COMPILE
	Link time	--	
	Post-build time	X	VARIANT-POST-BUILD
Scope / Dependency	scope: local		

SWS Item	ECUC_Port_00130 :		
Name	PortPinMode		
Parent Container	PortPin		
Description	Port pin mode from mode list. Note that more than one mode is allowed by default. That way it is e.g. possible to combine DIO with another mode such as ICU.		
Multiplicity	1..*		
Type	EcucEnumerationParamDef		
Range	PORT_PIN_MODE_ADC	Port Pin used by ADC	

	PORT_PIN_MODE_CAN	Port Pin used for CAN	
	PORT_PIN_MODE_DIO	Port Pin configured for DIO. It shall be used under control of the DIO driver.	
	PORT_PIN_MODE_DIO_GPT	Port Pin configured for DIO. It shall be used under control of the general purpose timer driver.	
	PORT_PIN_MODE_DIO_WDG	Port Pin configured for DIO. It shall be used under control of the watchdog driver.	
	PORT_PIN_MODE_FLEXRAY	Port Pin used for FlexRay	
	PORT_PIN_MODE_ICU	Port Pin used by ICU	
	PORT_PIN_MODE_LIN	Port Pin used for LIN	
	PORT_PIN_MODE_MEM	Port Pin used for external memory under control of a memory driver.	
	PORT_PIN_MODE_PWM	Port Pin used by PWM	
	PORT_PIN_MODE_SPI	Port Pin used by SPI	
Post-Build Variant Multiplicity	true		
Post-Build Variant Value	true		
Multiplicity Configuration Class	<i>Pre-compile time</i>	X	VARIANT-PRE-COMPILE
	<i>Link time</i>	--	
	<i>Post-build time</i>	X	VARIANT-POST-BUILD
Value Configuration Class	<i>Pre-compile time</i>	X	VARIANT-PRE-COMPILE
	<i>Link time</i>	--	
	<i>Post-build time</i>	X	VARIANT-POST-BUILD
Scope / Dependency	scope: local		

SWS Item	ECUC_Port_00134 :		
Name	PortPinModeChangeable		
Parent Container	PortPin		
Description	Parameter to indicate if the mode is changeable on a port pin during runtime. True: Port Pin mode changeable allowed. False: Port Pin mode changeable not permitted.		
Multiplicity	1		
Type	EcucBooleanParamDef		
Default value	--		
Post-Build Variant Value	true		
Value Configuration Class	<i>Pre-compile time</i>	X	VARIANT-PRE-COMPILE
	<i>Link time</i>	--	
	<i>Post-build time</i>	X	VARIANT-POST-BUILD
Scope / Dependency	scope: local		

No Included Containers

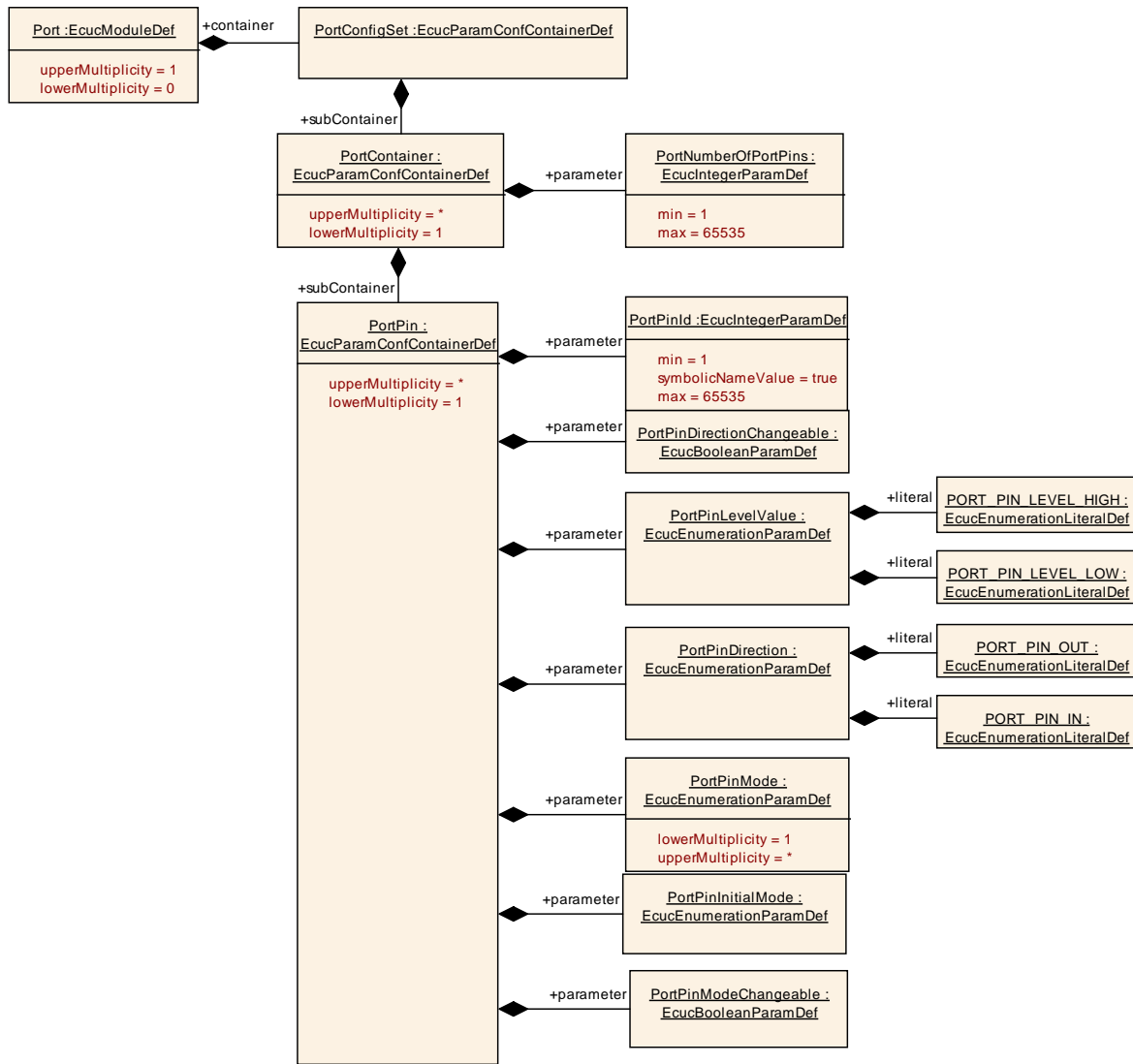


Figure 5 PortPin Parameters Overview

10.2.5 PortConfigSet

SWS Item	ECUC_Port_00121 :
Container Name	PortConfigSet
Description	This container contains the configuration parameters and sub containers of the AUTOSAR Port module.
Configuration Parameters	

Included Containers		
Container Name	Multiplicity	Scope / Dependency
PortContainer	1..*	Container collecting the PortPins.

10.3 Published Information

For details refer to the chapter 10.3 “Published Information” in *SWS_BSWGeneral*.

11 Not applicable requirements

[SWS_Port_00227] [These requirements are not applicable to this specification.]

(SRS_BSW_00005, SRS_BSW_00006, SRS_BSW_00007, SRS_BSW_00010, SRS_BSW_00160, SRS_BSW_00161, SRS_BSW_00162, SRS_BSW_00164, SRS_BSW_00167, SRS_BSW_00168, SRS_BSW_00170, SRS_BSW_00172, SRS_BSW_00307, SRS_BSW_00308, SRS_BSW_00309, SRS_BSW_00321, SRS_BSW_00325, SRS_BSW_00328, SRS_BSW_00330, SRS_BSW_00331, SRS_BSW_00333, SRS_BSW_00334, SRS_BSW_00335, SRS_BSW_00336, SRS_BSW_00341, SRS_BSW_00342, SRS_BSW_00343, SRS_BSW_00344, SRS_BSW_00347, SRS_BSW_00357, SRS_BSW_00359, SRS_BSW_00360, SRS_SPAL_12463, SRS_SPAL_12462, SRS_SPAL_12265, SRS_SPAL_12092, SRS_SPAL_12078, SRS_SPAL_12077, SRS_SPAL_12067, SRS_SPAL_12064, SRS_SPAL_12129, SRS_SPAL_12075, SRS_SPAL_12063, SRS_SPAL_12169, SRS_SPAL_00157, SRS_SPAL_12069, SRS_SPAL_12068, SRS_SPAL_12267, SRS_SPAL_12056, SRS_BSW_00440, SRS_BSW_00439, SRS_BSW_00437, SRS_BSW_00433, SRS_BSW_00432, SRS_BSW_00429, SRS_BSW_00428, SRS_BSW_00427, SRS_BSW_00426, SRS_BSW_00425, SRS_BSW_00424, SRS_BSW_00423, SRS_BSW_00419, SRS_BSW_00417, SRS_BSW_00416, SRS_BSW_00413, SRS_BSW_00398, SRS_BSW_00395, SRS_BSW_00378, SRS_BSW_00377, SRS_BSW_00375, SRS_BSW_00373, SRS_BSW_00371)