

Document Title	Specification of RAM Test
Document Owner	AUTOSAR
Document Responsibility	AUTOSAR
Document Identification No	76
Document Status	published
Part of AUTOSAR Standard	Classic Platform
Part of Standard Release	R23-11

Document Change History			
Date	Release	Changed by	Change Description
2023-11-23	R23-11	AUTOSAR Release Management	<ul style="list-style-type: none"> Editorial changes
2022-11-24	R22-11	AUTOSAR Release Management	<ul style="list-style-type: none"> Changed SWS_RamTst_00999 to SWS_RamTst_NA_00999
2021-11-25	R21-11	AUTOSAR Release Management	<ul style="list-style-type: none"> Clarificaton on APIs defined as Synchronous / Asynchronous (RamTst_ErrorNotification, RamTst_TestCompletedNotification)
2020-11-30	R20-11	AUTOSAR Release Management	<ul style="list-style-type: none"> Updated the structure and tables of the error sections Editorial changes
2019-11-28	R19-11	AUTOSAR Release Management	<ul style="list-style-type: none"> MCALMulticoreDistribution (CONC_639) Production errors updated Editorial changes Changed Document Status from Final to published
2018-10-31	4.4.0	AUTOSAR Release Management	<ul style="list-style-type: none"> MCALMulticoreDistribution (CONC_639) as DRAFT Header File Cleanup Minor corrections; For details please refer to the ChangeDocumentation

Document Change History			
Date	Release	Changed by	Change Description
2017-12-08	4.3.1	AUTOSAR Release Management	<ul style="list-style-type: none"> Updated traceability minor corrections / clarifications / editorial changes; For details please refer to the ChangeDocumentation
2016-11-30	4.3.0	AUTOSAR Release Management	<ul style="list-style-type: none"> Removed subsection 7.5 Debugging Renamed "RamTstGetVersionInfoApi" to "RamTstVersionInfoApi" Removed SWS_RamTst_00167 and SWS_RamTst_00168 Added line "Supported Config Variants" to the table of the module definition in 10.2.1 Added sections 7.2.2 Runtime Errors and 7.2.3 Transient Faults Renamed "RS_SPAL_12448" to "SRS_SPAL_12448" Removed BSW00434, BSW00443, BSW00444, SRS_BSW_00370, SRS_BSW_00435, SRS_BSW_00436
2015-07-31	4.2.2	AUTOSAR Release Management	<ul style="list-style-type: none"> Updated Pass/Fail Criterias for Extended Production Errors Debugging support marked as obsolete Diverse corrections Editorial changes
2014-10-31	4.2.1	AUTOSAR Release Management	<ul style="list-style-type: none"> Added Pass/Fail Criterias for Extended Production Errors
2014-03-31	4.1.3	AUTOSAR Release Management	<ul style="list-style-type: none"> Editorial changes Updated traceability

Document Change History			
Date	Release	Changed by	Change Description
2013-10-31	4.1.2	AUTOSAR Release Management	<ul style="list-style-type: none"> Removed timing attribute of requirement SWS_RamTst_00110 Editorial changes Removed chapter(s) on change documentation
2013-03-15	4.1.1	AUTOSAR Administration	<ul style="list-style-type: none"> Alignment to the new SWS_BSWGeneral document Updated the document for Extended Production Errors Alignment to official naming in other Autosar documents Adjustment to ISO 26262: major Clarification of some requirements
2011-12-22	4.0.3	AUTOSAR Administration	<ul style="list-style-type: none"> Clarification of some requirements. Typos correction. Added a new requirement for DET error reporting
2010-09-30	3.1.5	AUTOSAR Administration	<ul style="list-style-type: none"> Clarification on some configuration parameters Clarification of some types used in API Improvement of error reporting
2010-02-02	3.1.4	AUTOSAR Administration	<ul style="list-style-type: none"> Foreground tests added Allow more than one configuration per test algorithm Further maintenance for R4.0 Legal disclaimer revised
2009-02-04	3.1.2	AUTOSAR CM	<ul style="list-style-type: none"> Updated document to new SWS macros
2008-08-13	3.1.1	AUTOSAR Administration	<ul style="list-style-type: none"> Legal disclaimer revised
2008-02-01	3.0.2	AUTOSAR Administration	<ul style="list-style-type: none"> Correction of figures in Chapter 1 and Chapter 9.

Document Change History			
Date	Release	Changed by	Change Description
2007-12-21	3.0.1	AUTOSAR Administration	<ul style="list-style-type: none"> • RAM test concept documented and included; • Requirements tables updated; • Wording/grammar changes; • Sequence diagram changes; • Generated content corrected/modified. • Document meta information extended • Small layout adaptations made
2007-12-21	3.0.1	AUTOSAR Technical Office	<ul style="list-style-type: none"> • Fixed bug 18934 (changes only in chapter 8, no changes in chapter 9 and chapter 10)
2007-07-24	2.1.16	AUTOSAR Technical Office	<ul style="list-style-type: none"> • Tables generated from UML-models, UML-diagrams linked to UML-model, general improvements of requirements in preparation of CT-development. No changes in the technical contents of the specification.
2007-01-24	2.1.15	AUTOSAR Administration	<ul style="list-style-type: none"> • “Advice for users” revised • “Revision Information” added
2006-11-28	2.1.1	AUTOSAR Administration	<ul style="list-style-type: none"> • File include structure updated • “Modified Hamming code” test removed • RamTst_Stop() & RamTst_Continue() changed to “asynchronous” • Dem API updated • Configuration description corrected • descriptions optimized • Legal disclaimer revised
2006-05-16	2.0	AUTOSAR Administration	<ul style="list-style-type: none"> • Initial release

Disclaimer

This work (specification and/or software implementation) and the material contained in it, as released by AUTOSAR, is for the purpose of information only. AUTOSAR and the companies that have contributed to it shall not be liable for any use of the work. The material contained in this work is protected by copyright and other types of intellectual property rights. The commercial exploitation of the material contained in this work requires a license to such intellectual property rights.

This work may be utilized or reproduced without any modification, in any form or by any means, for informational purposes only. For any other purpose, no part of the work may be utilized or reproduced, in any form or by any means, without permission in writing from the publisher.

The work has been developed for automotive applications only. It has neither been developed, nor tested for non-automotive applications.

The word AUTOSAR and the AUTOSAR logo are registered trademarks.

Table of Contents

1	Introduction and Functional Overview	9
2	Acronyms and Abbreviations	18
3	Related Documentation	19
3.1	Input Documents.....	19
3.2	Related Standards and Norms	19
3.3	Related specification.....	19
4	Constraints and Assumptions	20
4.1	Limitations.....	20
4.2	Full RAM Test	20
4.3	Partial RAM Test.....	21
4.4	Applicability to Car Domains.....	21
5	Dependencies to Other Modules	22
6	Requirements Traceability	23
7	Functional Specification	26
7.1	Requirements.....	26
7.2	Error Classification.....	27
7.2.1	Development Errors.....	27
7.2.2	Runtime Errors	28
7.2.3	Transient Faults.....	28
7.2.4	Production Errors.....	28
7.2.5	Extended Production Errors	28
7.3	General Test Behavior	30
8	API Specification	32
8.1	Imported Types	32
8.2	Type Definitions	32
8.2.1	RamTst_ConfigType.....	32
8.2.2	RamTst_ExecutionStatusType.....	32
8.2.3	RamTst_TestResultType.....	33
8.2.4	RamTst_AlgorithmType	33
8.2.5	RamTst_AlgorithmType.....	34
8.2.6	RamTst_NumberOfTestedCellsType	34
8.2.7	RamTst_NumberOfBlocksType	35
8.3	Function Definitions	35
8.3.1	RamTst_Init	35
8.3.2	RamTst_DeInit.....	37
8.3.3	RamTst_Stop.....	37
8.3.4	RamTst_Allow	39
8.3.5	RamTst_Suspend.....	39
8.3.6	RamTst_Resume.....	40
8.3.7	RamTst_GetExecutionStatus	41
8.3.8	RamTst_GetTestResult.....	42
8.3.9	RamTst_GetTestResultPerBlock	42
8.3.10	RamTst_GetVersionInfo	43
8.3.11	RamTst_GetAlgParams	44
8.3.12	RamTst_GetTestAlgorithm.....	45
8.3.13	RamTst_GetNumberOfTestedCells	45
8.3.14	RamTst_SelectAlgParams	46
8.3.15	RamTst_ChangeNumberOfTestedCells	47
8.3.16	RamTst_RunFullTest.....	48

8.3.17	RamTst_RunPartialTest	50
8.4	Callback Notifications	52
8.5	Scheduled Functions	52
8.5.1	RamTst_MainFunction	52
8.6	Expected Interfaces	54
8.6.1	Mandatory Interfaces	54
8.6.2	Optional Interfaces	54
8.6.3	Configurable Interfaces	54
8.6.3.1	RamTst_TestCompletedNotification	55
8.6.3.2	RamTst_ErrorNotification	55
9	Sequence Diagrams	57
9.1	RamTst_MainFunction (Examples)	57
9.2	RamTst_ChangeNumberOfTestedCells	60
9.3	RamTst_SelectAlgParams	60
9.4	RamTst_GetAlgParams	61
9.5	RamTst_GetExecutionStatus	61
9.6	RamTst_GetTestResult	61
9.7	RamTst_GetTestResultPerBlock	62
9.8	RamTst_GetTestAlgorithm	62
9.9	RamTst_GetNumberOfTestedCells	62
10	Configuration Specification	63
10.1	How to read this chapter	63
10.2	Containers and Configuration Parameters	63
10.2.1	Variants	64
10.2.2	RamTst	64
10.2.3	RamTstDemEventParameterRefs	65
10.2.4	RamTstCommon	67
10.2.5	RamTstAlgorithms	77
10.2.6	RamTstConfigParams	80
10.2.7	RamTstAlgParams	84
10.2.8	RamTstBlockParams	89
10.3	Published Parameters	92
10.3.1	RamTstPublishedInformation	92
10.4	Implementation Specific Information and Parameters	94
11	Not applicable requirements	95

List of Figures

Figure 1: Phases of RAM Test module	11
Figure 2: Configured memory blocks for background memory test.....	14
Figure 3: Main Function Schedule	14
Figure 4: Initialization and foreground Run Full Test of the RAM Test module	58
Figure 5: Deinitialization and foreground Run Partial Test of the RAM Test module.....	59
Figure 6: Change Number of Tested Cells	60
Figure 7: Set and Select Algorithm Parameters	60
Figure 8: Get Algorithm Parameters	61
Figure 9: Get test execution status	61
Figure 10: Get Test Result	61
Figure 11: Get Test Result per Block.....	62
Figure 12: Get Test Algorithm	62
Figure 13: Get Number of Tested Cells	62
Figure 14: RAM Test Configuration Overview	65
Figure 15: RamTstCommon	77
Figure 16: RamTstAlgorithms	80
Figure 17: RamTstConfigParams.....	83
Figure 18: RamTstAlgParams.....	88
Figure 19: RamTstBlockParams	92
Figure 20: RamTstPublishedInformation	93

1 Introduction and Functional Overview

This document specifies the functionality, API and configuration of the AUTOSAR Basic Software module “RAM Test”.

The RAM Test is a test of the physical health of the RAM cells. It is not intended to test the contents of the RAM. RAM used for registers is also tested.

Within this document, a RAM cell is understood as the unit of memory, which can be individually addressed by the processor. Thus the cell size in bits is for example 16 for a 16-bit processor.

Different algorithms exist to test RAM. They target different sets of fault models, achieve different coverages, result in different runtimes and are either destructive or non-destructive. Coverage also depends on the underlying physical RAM architecture. ISO 26262 only establishes a distinction between three basic coverage levels Low (60%), Medium (90%) and High (99%) [11]. This basic distinction is also used in the AUTOSAR specification.

An ECU safety analysis must be performed to determine which RAM Test diagnostic coverage rate (Low, Medium or High) is required. Appropriate RAM Test algorithms and further configuration parameters are then selected at compile time. At run time, the application software may choose between the compiled algorithms (and between further parameters).

A RAM Test may be called synchronously by the test environment (hereafter called “foreground test”) or may be called in a cyclic manner by an OS task or other cyclic calling method (hereafter called “background test”). The test environment may select test parameters, start and stop the test, and get status reports. Development errors are reported to the Default Error Tracer (DET) and production errors are reported to the Diagnostic Event Manager (DEM).

The RamTst module consists of a RamTst_MainFunction() for background testing, the APIs for foreground testing, several configuration and status APIs (Application Programming Interface), and several configuration containers.

TEST FUNCTION APIs	DEFINITION
RamTst_Init	Prepare resources for testing as necessary. Initialize the test execution state as necessary. Proceed to “test stopped” state after initialization is complete.
RamTst_DelInit	Reset all used registers to reset values, and release all used resources.
RamTst-Allow	Permit the RamTst_MainFunction() to perform testing at its next scheduled call.
RamTst_Stop	Prohibit the RamTst_MainFunction() from performing tests at its next scheduled call. When RamTst_Stop is called, testing stops after the current atomic sequence. Test status is retained, but test parameters (block number, loop count, etc.) are discarded.
RamTst_Suspend	Temporarily prohibit the RamTst_MainFunction() from performing tests at its next scheduled call. When RamTst_Suspend is called, testing stops after the current atomic sequence. Test status and test parameters are retained.
RamTst_Resume	Permits the RamTst_MainFunction() to continue testing at the point where it was suspended, at its next scheduled call. Testing continues according to the saved test parameters.
RamTst_RunFullTest	Test the entire RAM space without interruption. RamTst_Stop must be called prior to calling this API.
RamTst_RunPartialTest	Test the portion of the RAM defined by the API. RamTst_Stop or RamTst_Suspend must be called prior to calling this API.

TEST PARAMETER AND FEEDBACK APIs
RamTst_GetVersionInfo
RamTst_GetExecutionStatus
RamTst_GetTestResult
RamTst_GetTestResultPerBlock
RamTst_GetAlgParams
RamTst_GetTestAlgorithm
RamTst_GetNumberOfTestedCells
RamTst_SelectAlgParams
RamTst_ChangeNumberOfTestedCells

RamTst_MainFunction() is the scheduled function for background testing.

- For background testing, RamTst_MainFunction() is called periodically by a scheduler, and is interruptible. One complete test consists of testing with one algorithm over the memory space defined by the currently selected configuration. This complete test is split up over many scheduled calls.
- For foreground testing, RamTst_RunFullTest() or RamTst_RunPartialTest() is called once, and is not interruptible by routines which access the tested memory area (this has to be controlled by the test environment). It tests with one algorithm over the memory space (or a subset in case of partial test) defined by the selected configuration.

The state chart below shows the various states of the test execution.

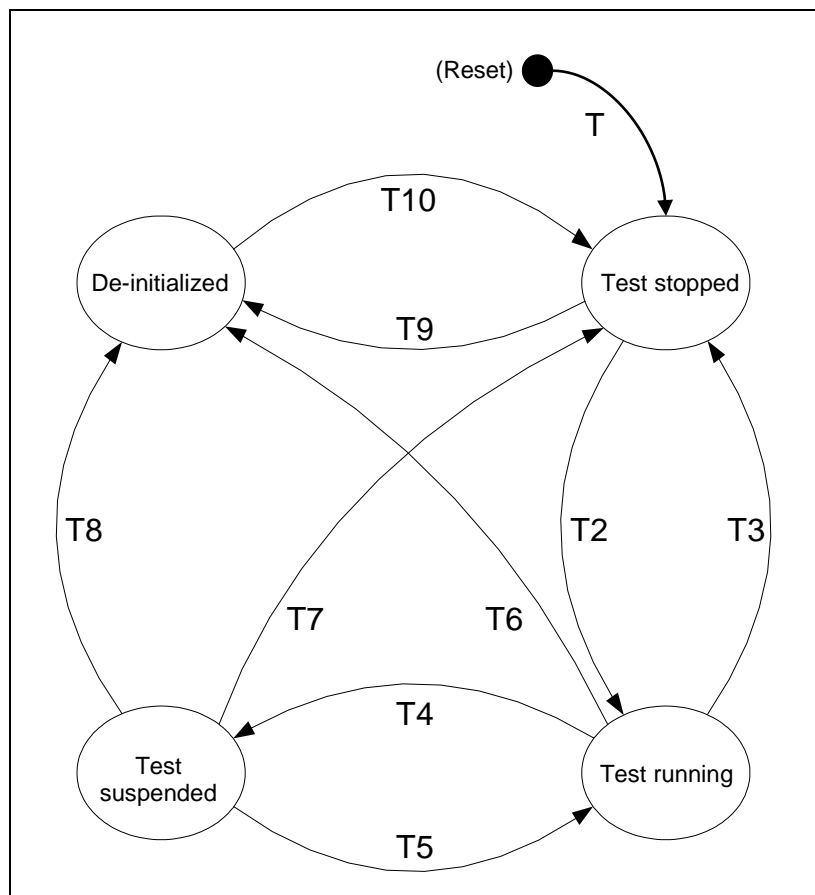


Figure 1: Phases of RAM Test module

Event	Event Trigger
T1	API: RamTst_Init
T2	API: RamTst_RunFullTest API: RamTst_RunPartialTest API: RamTst_Allow
T3	API: RamTst_Stop (or end of RamTst_RunFullTest) (or end of RamTst_RunPartialTest)
T4	API: RamTst_Suspend (or end of RamTst_RunPartialTest)
T5	API: RamTst_Resume API: RamTst_RunPartialTest
T6	API: RamTst_DeInit
T7	API: RamTst_Stop
T8	API: RamTst_DeInit
T9	API: RamTst_DeInit
T10	API: RamTst_Init

Note: The state “test running” does not necessarily mean that testing is continuously being performed. For foreground testing, it does mean that the test is directly performed by an API call and RamTst_MainFunction() is not scheduled. For background testing, it only means that RamTst_MainFunction() is permitted to test a small portion of the RAM when it is called periodically by the scheduler.

In the actual specification, this state is further divided into “test allowed” and “test running”. The state “test allowed” is only used in the initial phase of a background test; for the big picture given in this overview this difference has been neglected

All APIs and configuration variables are fully defined elsewhere within this document.

The following table shows, which APIs are allowed to be called in each state. For any cell in the table where there is an “N”, there should be a corresponding DET error assigned.

API: Application Programming Interface

	API allowable in this State?			
	Test Stopped	Test Running (or Allowed)	Test Suspended	Test De-initialized
APIs which cause a change of state in the state chart				
RamTst_Init	N	N	N	Y
RamTst_RunFullTest	Y	N	N	N
RamTst_RunPartialTest	Y	N	Y	N
RamTst_Suspend ¹	N	Y	N	N
RamTst_Resume	N	N	Y	N
RamTst_Stop	N	Y	Y	N
RamTst_Allow ²	Y	N	N	N
RamTst_DeInit	Y	Y	Y	N

	API allowable in this State?			
	Test Stopped	Test Running (or Allowed)	Test Suspended	Test De-initialized
APIs which do not cause a change of state				
RamTst_GetVersionInfo	Y	Y	Y	Y
RamTst_GetExecutionStatus	Y	Y	Y	N
RamTst_GetTestResult	Y	Y	Y	N
RamTst_GetTestResultPerBlock	Y	Y	Y	N
RamTst_GetAlgParams	Y	Y	Y	N
RamTst_GetTestAlgorithm	Y	Y	Y	N
RamTst_GetNumberOfTestedCells	Y	Y	Y	N
RamTst_SelectAlgParams ³	Y	N	N	N
RamTst_ChangeNumberOfTestedCells ⁴	Y	N	N	N

NOTES:

- ¹ RamTst_Suspend causes a state change to “test suspended” at the end of the current RamTst_MainFunction() atomic sequence if RamTst_MainFunction() is actively testing.
- ² RamTst_Allow is called to permit the RamTst_MainFunction() to test when called, it does not initiate any test itself.
- ³ RamTst_Stop must first be called before selecting another configuration parameter set by RamTst_SelectAlgParams.
- ⁴ RamTst_ChangeNumberOfTestedCells operates at the end of the current RamTst_MainFunction() atomic sequence if RamTst_MainFunction() is actively testing. For a foreground test, RamTst_ChangeNumberOfTestedCells is not relevant.

The following figure shows how blocks are configured for an algorithm, and how RamTst_MainFunction() then tests the memory cells for each block in a background test.

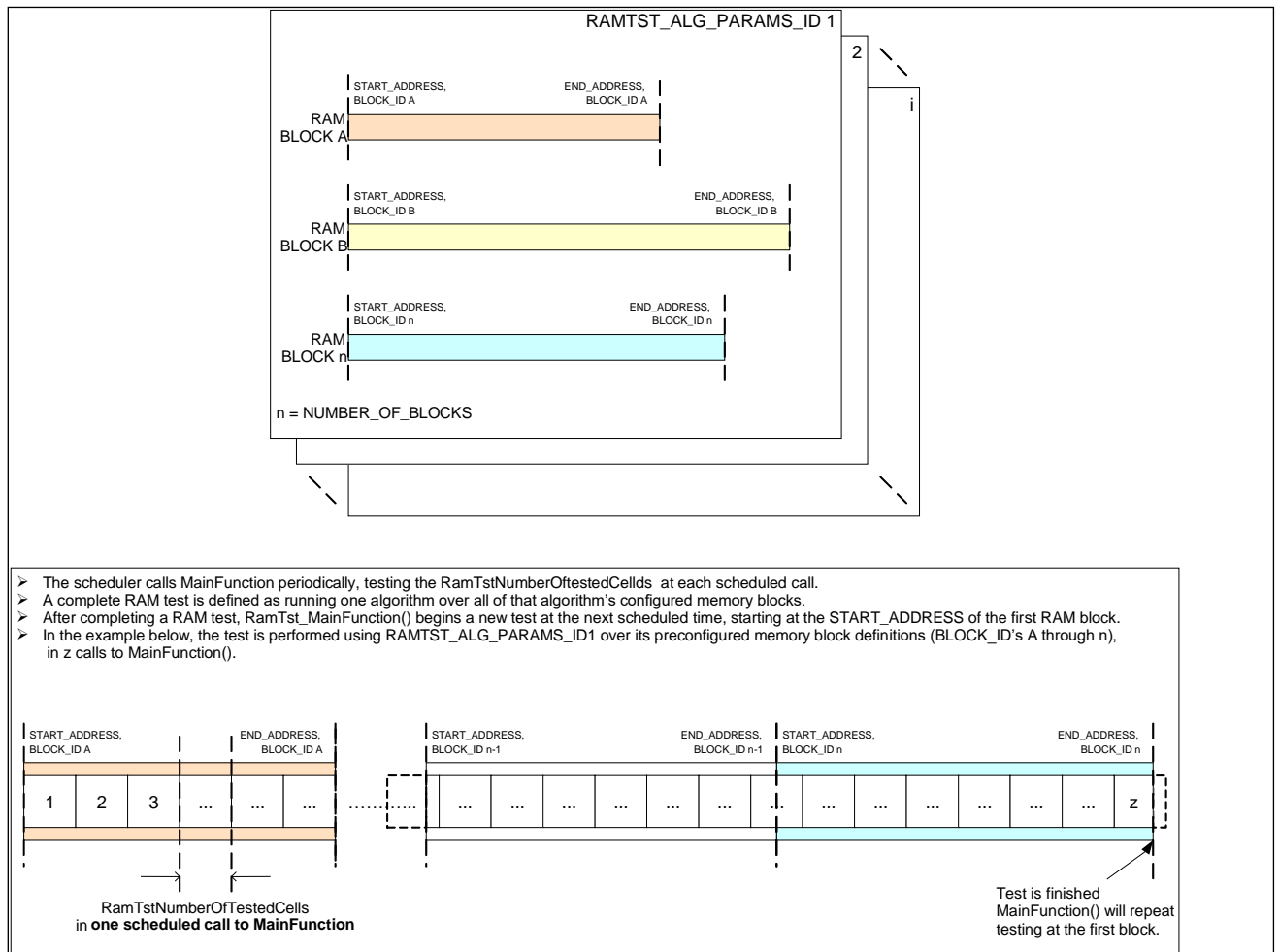


Figure 2: Configured memory blocks for background memory test

The following figure shows how RamTst_MainFunction() is called by the scheduler, and how it can be interrupted between atomic pieces by higher priority tasks.

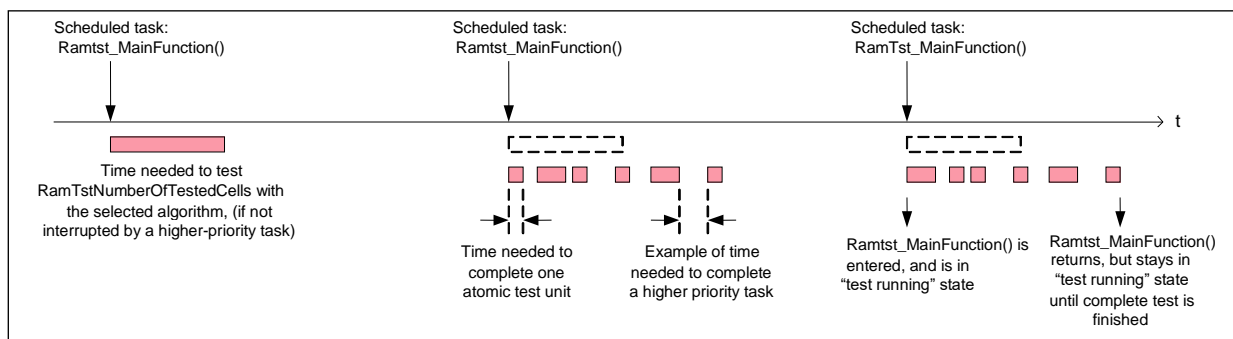


Figure 3: Main Function Schedule

RamTstNumberOfTestedCells

The `RamTstNumberOfTestedCells` default is set by configuration (pre-compile or link) in the `RamTstAlgParams` container and applies to every block defined within an algorithm, but can be different for each `RamTstAlgParams`, thus can be different for different algorithms or for different parameter sets for the same algorithm.

`RamTstNumberOfTestedCells` can be changed during runtime using the API `RamTst_ChangeNumberOfTestedCells`. This capability, for example, could be used to reduce the duration of the RAM test task before running some other high-bandwidth task in order to prevent task overruns. Such a situation could occur when unusual conditions in a vehicle cause a normally dormant special algorithm to become active.

`RamTstNumberOfTestedCells` is only applicable to background testing.

`RamTstNumberOfTestedCells` may not exceed `RamTstMaxNumberOfTestedCells`.

The absolute maximum size of `RamTstNumberOfTestedCells` for a given `RamTstAlgParams` container is defined and documented by the implementer. This maximum should be equal to the sum of the block sizes as defined by the block descriptions. The integrator sets `RamTstExtNumberOfTestedCells` to this absolute maximum value (pre-compile or link) in the `RamTstAlgParams` container. `RamTstExtNumberOfTestedCells` is not changeable during run time.

The integrator also configures (pre-compile or link) the `RamTstMaxNumberOfTestedCells` for each `RamTstAlgParams` container. The integrator must carefully select `RamTstMaxNumberOfTestedCells` such that it puts an upper limit on the run time of `RamTst_MainFunction()` in a background task according to the system needs for throughput. In no case should `RamTstMaxNumberOfTestedCells` be set to a value greater than `RamTstExtNumberOfTestedCells`. `RamTstMaxNumberOfTestedCells` is not changeable during run time.

The minimum value of `RamTstNumberOfTestedCells` is defined and documented by the implementer. The minimum should be defined as one cell unless there is some physical reason for a larger minimum. The integrator configures (pre-compile or link) the `RamTstMinNumberOfTestedCells` to be greater than or equal to the minimum defined by the implementer. `RamTstMinNumberOfTestedCells` applies to the entire RAM test module, and not to individual algorithms or parameter sets. It is configured in the `RamTstConfigParams` container. `RamTstMinNumberOfTestedCells` is not changeable during run time.

The cell size (in terms of bits) is also defined by the implementer and cannot be changed at integration time, as it should be a fixed value for a given processor. Therefore the corresponding parameter is specified as a published parameter (see chapter 10.3).

No matter how many blocks or partial blocks are tested in one `RamTst_MainFunction()` scheduled call, test status information must be maintained for each block separately.

RamTst_MainFunction().

A **background** test is performed by the scheduler periodically calling the `RamTst_MainFunction()` to test a `RamTstNumberOfTestedCells` of memory using the selected algorithm, until the entire defined area of RAM is tested. This `RamTst_MainFunction()` can be interrupted at the end of each atomic sequence during a scheduled call.

RamTst_MainFunction():

- Is made up of one or more atomic (i.e. uninterruptable) pieces of code. The number of cells that can be tested in one atomic sequence is considered as implementation specific, thus it is not determined by any (standardized) configuration parameter. However, it is expected that at least `RamTstMinNumberOfTestedCells` are completely tested during one atomic sequence. It should be noted, that in general the detection of coupling faults between cells is limited to those cells which are tested together in the same atomic sequence.
- At the end of each atomic piece, internal flags are checked to see if an OS task has changed any parameter of the state chart, and to respond to question-type APIs.
- Knows inherently:
 - which algorithm it is using;
 - which memory blocks must be tested for this algorithm,
 - start and end addresses of each block;
 - number of cells to test at each call
 - further parameters for the test (see chapter 7.3)
- Remembers:
 - which block it is in;
 - which address to start at in the next call;
 - status of the test;
 - overall test results;
 - test results for each block.
- When `RamTstNumberOfTestedCells` is reached, `RamTst_MainFunction()` ends testing for that scheduled call, and starts testing in the next scheduled call at the next (saved) address.
- When the end of a block is reached during a scheduled call, `RamTst_MainFunction()` continues testing at the beginning of the next block, and continues until `RamTstNumberOfTestedCells` is reached. (Note: The atomic test sequence should be careful to take into account any issues regarding crossing into the next block.)
- When all blocks are fully tested, `RamTst_MainFunction()` issues a notification and repeats testing at the first block.
- If there is an error during testing, `RamTst_MainFunction()` issues a notification (if configured) and continues testing.

RamTst_RunFullTest, RamTst_RunPartialTest

“Full” and “Partial” refers to full or partial memory, and **not** the full or partial set of algorithms over the memory space. The test is performed over the specified memory area using only one algorithm. The desired parameter set (which includes the algorithm) is selected by calling the API `RamTst_SelectAlgParams` before calling the foreground test API.

Note that due to the possibility of testing larger memory areas without interruption the fault coverage of foreground tests is in general better than of background test for the same algorithm.

RamTst_RunFullTest API:

The user calls RamTst_RunFullTest with no arguments (the test parameter set is selected before). This test is normally used for a full RAM check at system startup or shutdown.

Sequence:

RamTst_Stop
RamTst_SelectAlgParams to chose the desired parameter set
RamTst_RunFullTest

RamTst_RunPartialTest API:

The user calls RamTst_RunPartialTest with one argument specifying the desired block to be tested. This test is used for example to check a specified memory section immediately before using that memory. This capability is to enable a system safety concept.

Sequence:

RamTst_Stop
RamTst_SelectAlgParams to chose the desired parameter set
RamTst_RunPartialTest (ChosenBlock)

or if background test shall continue afterwards:

RamTst_Suspend
RamTst_RunPartialTest (ChosenBlock)

2 Acronyms and Abbreviations

Abbreviation / Acronym:	Description:
API	Application Programming Interface
CRC	Cyclic Redundancy Check
DEM	Diagnostic Event Manager
DET	Default Error Tracer
DMA	Direct Memory Access
ECC	Error Correction Code
NMI	Non Maskable Interrupt
RAM	Random Access Memory

Definitions

Note: These definition are copied from the AUTOSAR_FO_TR_Glossary.pdf

Synchronous: A communication is synchronous when the calling software entity is blocked until the called operation is evaluated. The calling software entity continues its operation by getting the result. Synchronous communication between distributed functional units has to be implemented as remote procedure call.

Asynchronous: Asynchronous communication does not block the sending software entity. The sending software entity continues its operation without getting a response from the communication partner(s). There could be an acknowledgement by the communication system about the sending of the information. A later response to the sending software entity is possible.

3 Related Documentation

3.1 Input Documents

- [1] List of Basic Software Modules
AUTOSAR_CP_TR_BSWModuleLis.pdf

- [2] Layered Software Architecture
AUTOSAR_CP_EXP_LayeredSoftwareArchitecture.pdf

- [3] General Requirements on Basic Software Modules
AUTOSAR_CP_SRS_BSWGeneral.pdf

- [4] General Requirements on SPAL
AUTOSAR_CP_SRS_SPALGeneral.pdf

- [5] Requirements on RAM Test
AUTOSAR_CP_SRS_RAMTest.pdf

- [6] Basic Software Module Description Template
AUTOSAR_CP_TPS_BSWModuleDescriptionTemplate.pdf

- [7] General Specification of Basic Software Modules
AUTOSAR_CP_SWS_BSWGeneral.pdf

3.2 Related Standards and Norms

- [8] D1.5-General Architecture; ITEA/EAST-EEA, Version 1.0; chapter 3, page 72 et seq.

- [9] D2.1-Embedded Basic Software Structure Requirements; ITEA/EAST-EEA, Version 1.0 or higher.

- [10] D2.2-Description of existing solutions; ITEA/EAST-EEA, Version 1.0 or higher.

- [11] ISO 26262-5:2018 - Road vehicles - Functional Safety, Part 5: Product development at the hardware level <http://www.iso.org>.

3.3 Related specification

AUTOSAR provides a General Specification on Basic Software modules [7] (AUTOSAR CP SWS BSW General), which is also valid for RAM Test.

Thus, the specification AUTOSAR CP SWS BSW General shall be considered as additional and required specification for RAM Test.

4 Constraints and Assumptions

Note: To achieve ISO 26262 compliance, the software implementation must be according to the requirements of ISO 26262 for the required safety integrity level (ASIL A, ASIL B, ASIL C or ASIL D) of the safety goals of the system.

4.1 Limitations

[SWS_RamTst_00002] ⌈ During the execution of a RAM test algorithm, no other software shall be allowed to modify the RAM area under test. ⌋()

In case of background test, the testing code shall be implemented in small atomic pieces in order to accomplish this.

In case of foreground test, it is assumed that the test environment provides the conditions for exclusive access to the tested RAM area.

The rationale behind this requirement is the incapability of the RAM test module to ensure data consistency (e.g. during an NMI, or during a DMA transfer).

[SWS_RamTst_00082] ⌈ The implementer shall provide integration hints for each algorithm, e.g. “do not use in parallel with a DMA”. ⌋()

When testing shared memory in a multi-core system it might not be possible to get exclusive access to more than one memory cell via interrupt locking. In this case, the usage of a test configuration for shared memory blocks must be restricted to foreground tests and to specific ECU states, see 3 Related Documentation and [SWS_RamTst_00203](#) for additional information.

In a multi-core system, disabling the interrupts does not guarantee atomicity for more than a single memory access. Since a RAM test operation consists of more than a single memory access, a more sophisticated mechanism is needed to realize atomicity. Therefore, different solutions for shared and non-shared RAM are required.

4.2 Full RAM Test

A full test shall be executed when only a single core is running. In a Master-Slave system, this is possible during the initial boot phase while only the master core is active. Additionally full tests can be performed during ECU sleep mode. This allows the EcuM to delay the sleep state of one of the cores to perform a RAM tests on that core.

Full RAM tests shall be allowed whenever atomicity across cores can be guaranteed, known moments are,

1. Before the master core has activated any other core.
2. When all cores except one have entered sleep mode.

4.3 Partial RAM Test

During normal operation, the memory is split into non-shared and shared parts. The integrator has to specify for each `ALGORITHM_ID` the memory areas on which the algorithm works. A non-shared area is owned by a specific core and can be tested by the code running on that core as in the single core case. Lack of atomicity in MC causes problems for shared memory.

4.4 Applicability to Car Domains

No restrictions.

5 Dependencies to Other Modules

An actual selected parameter set for a RAM test basically consists of a set of RAM blocks and a test algorithm.

The available parameter sets for the RAM blocks and test algorithms must be configured at pre-compile time. The software responsible for monitoring the RAM state of health must then select an appropriate parameter set, (it can also switch between several ones at runtime), according to the results of the ECU safety analysis.

Within each parameter set, the detailed definition of the blocks to be tested, e.g. their start/end address, must be configured at pre-compile or link time. Further parameters controlling the details of the test are explained later in the document (see 7.3).

If the test environment calls a RAM Test API to test all or part of the RAM immediately (in the foreground), then the test environment is responsible to mask interrupts as desired or to call the test in a particular situation, where the tested blocks are not accessed by other modules.

For background testing, the ECU State Manager or the BSW Scheduler must schedule the RAM Test main function. The number of cells tested in one cycle is set as a default at pre-compile or link time based upon the needs of the scheduler. This size may be changed during runtime to accommodate a change in the schedule. In addition, the parameter set used for the background test may be switched during runtime, so that e.g. certain critical blocks can be tested in certain ECU states with higher coverage than in other ECU states or uncritical blocks can be excluded from tests in certain ECU states.

In development mode the error-hook function of module DET will be called.

6 Requirements Traceability

Requirement	Description	Satisfied by
SRS_BSW_00101	The Basic Software Module shall be able to initialize variables and hardware in a separate initialization function	SWS_RamTst_00007, SWS_RamTst_00099
SRS_BSW_00314	All internal driver modules shall separate the interrupt frame definition from the service routine	SWS_RamTst_00221
SRS_BSW_00323	All AUTOSAR Basic Software Modules shall check passed API parameters for validity	SWS_RamTst_00033, SWS_RamTst_00037, SWS_RamTst_00039, SWS_RamTst_00040, SWS_RamTst_00095, SWS_RamTst_00097, SWS_RamTst_00170, SWS_RamTst_00172, SWS_RamTst_00210, SWS_RamTst_00214
SRS_BSW_00325	The runtime of interrupt service routines and functions that are running in interrupt context shall be kept short	SWS_RamTst_00221
SRS_BSW_00331	All Basic Software Modules shall strictly separate error and status information	SWS_RamTst_00102, SWS_RamTst_00103
SRS_BSW_00337	Classification of development errors	SWS_RamTst_00067
SRS_BSW_00339	Reporting of production relevant error status	SWS_RamTst_00011, SWS_RamTst_00067, SWS_RamTst_00071, SWS_RamTst_00111, SWS_RamTst_00213, SWS_RamTst_00216, SWS_RamTst_01002, SWS_RamTst_01005, SWS_RamTst_01008
SRS_BSW_00344	BSW Modules shall support link-time configuration	SWS_RamTst_00026, SWS_RamTst_00027
SRS_BSW_00345	BSW Modules shall support pre-compile configuration	SWS_RamTst_00058
SRS_BSW_00358	The return type of init() functions implemented by AUTOSAR Basic Software Modules shall be void	SWS_RamTst_00099
SRS_BSW_00373	The main processing function of each AUTOSAR Basic Software Module shall be named according the defined convention	SWS_RamTst_00110
SRS_BSW_00385	List possible error notifications	SWS_RamTst_00067, SWS_RamTst_01002, SWS_RamTst_01005, SWS_RamTst_01008
SRS_BSW_00402	Each module shall provide version information	SWS_RamTst_00081
SRS_BSW_00406	A static status variable denoting if a BSW module is initialized shall be initialized with value 0 before any APIs of the BSW module is called	SWS_RamTst_00006

SRS_BSW_00407	Each BSW module shall provide a function to read out the version information of a dedicated module implementation	SWS_RamTst_00109
SRS_BSW_00414	Init functions shall have a pointer to a configuration structure as single parameter	SWS_RamTst_00093, SWS_RamTst_01011, SWS_RamTst_01012
SRS_BSW_00427	ISR functions shall be defined and documented in the BSW module description template	SWS_RamTst_00221
SRS_BSW_00439	Enable BSW modules to handle interrupts	SWS_RamTst_00221
SRS_BSW_00450	A Main function of a un-initialized module shall return immediately	SWS_RamTst_00175
SRS_RamTst_13800	The number of tested cells shall be changeable at runtime	SWS_RamTst_00036, SWS_RamTst_00107
SRS_RamTst_13802	Multiple RAM areas shall be configurable at post build/ link time	SWS_RamTst_00026
SRS_RamTst_13803	A subset of available RAM Test algorithms shall be selectable at pre-compile time	SWS_RamTst_00026, SWS_RamTst_00027, SWS_RamTst_00063, SWS_RamTst_00224, SWS_RamTst_00225, SWS_RamTst_00226
SRS_RamTst_13804	A subset of the pre-compile time selected RAM Check test algorithms shall be selectable at runtime	SWS_RamTst_00083, SWS_RamTst_00105
SRS_RamTst_13809	It shall be possible to divide the RAM test execution into smaller pieces	SWS_RamTst_00008, SWS_RamTst_00026, SWS_RamTst_00059, SWS_RamTst_00107, SWS_RamTst_00108
SRS_RamTst_13810	Current status of RAM test execution per block shall be available through a get status interface	SWS_RamTst_00010, SWS_RamTst_00011, SWS_RamTst_00019, SWS_RamTst_00024, SWS_RamTst_00038, SWS_RamTst_00104
SRS_RamTst_13811	The RAM test module shall be able to perform its tests in a non-destructive manner	SWS_RamTst_00060, SWS_RamTst_00061, SWS_RamTst_00200
SRS_RamTst_13812	The RAM test module shall be able to perform its tests in a destructive manner	SWS_RamTst_00061, SWS_RamTst_00201
SRS_RamTst_13816	Effects of Instruction / Data queue shall be taken into account	SWS_RamTst_00062
SRS_RamTst_13820	RAM test execution status shall be provided by a notification mechanism	SWS_RamTst_00043, SWS_RamTst_00044, SWS_RamTst_00045, SWS_RamTst_00046, SWS_RamTst_00113, SWS_RamTst_00114
SRS_RamTst_13822	A safety mechanism with low coverage shall be available	SWS_RamTst_00224
SRS_RamTst_13823	A Test algorithm with medium coverage shall be available	SWS_RamTst_00225

SRS_RamTst_13824	A Test algorithm with high coverage shall be available	SWS_RamTst_00226
SRS_SPAL_00157	All drivers and handlers of the AUTOSAR Basic Software shall implement notification mechanisms of drivers and handlers	SWS_RamTst_00043, SWS_RamTst_00044, SWS_RamTst_00045, SWS_RamTst_00046
SRS_SPAL_12056	All driver modules shall allow the static configuration of notification mechanism	SWS_RamTst_00043, SWS_RamTst_00044
SRS_SPAL_12057	All driver modules shall implement an interface for initialization	SWS_RamTst_00007, SWS_RamTst_00026, SWS_RamTst_00027
SRS_SPAL_12129	The ISRs shall be responsible for resetting the interrupt flags and calling the according notification function	SWS_RamTst_00221
SRS_SPAL_12163	All driver modules shall implement an interface for de-initialization	SWS_RamTst_00146
SRS_SPAL_12263	The implementation of all driver modules shall allow the configuration of specific module parameter types at link time	SWS_RamTst_00026, SWS_RamTst_00027
SRS_SPAL_12448	All driver modules shall have a specific behavior after a development error detection	SWS_RamTst_00033, SWS_RamTst_00037, SWS_RamTst_00039, SWS_RamTst_00040, SWS_RamTst_00084, SWS_RamTst_00095

7 Functional Specification

7.1 Requirements

[SWS_RamTst_00005] ⌈ The RAM Test module shall provide the background RAM test as an asynchronous service. ⌋()

[SWS_RamTst_00206] ⌈ The RAM Test module shall provide the foreground RAM test as an synchronous service. ⌋()

[SWS_RamTst_00063] ⌈ The configuration process for the RAM Test module shall allow the selection of a subset of different RAM Test algorithms during pre-compile time. ⌋(SRS_RamTst_13803)

This subset is to be chosen from the different RAM Test algorithms as specified in [SWS_RamTst_00224](#), [SWS_RamTst_00225](#), [SWS_RamTst_00226](#), [SWS_RamTst_00204](#)

[SWS_RamTst_00060] ⌈ If non-destructive RAM Test is chosen, the RAM Test module shall save the RAM area to be tested before the module modifies it. The RAM Test module shall execute the complete procedure (saving, changing, restoring) without interruption. ⌋(SRS_RamTst_13811)

Note: “Saving” and “restoring” does not necessarily mean explicit copying actions. If the test algorithm is “transparent” it restores the original content in the tested cells after the test without needing additional memory for saving.

[SWS_RamTst_00061] ⌈ For both the destructive and non-destructive options, the RAM Test module shall ensure that the test algorithm does not overwrite the RAM Test internal variables. ⌋(SRS_RamTst_13811, SRS_RamTst_13812)

[SWS_RamTst_00062] ⌈ After writing to a cell and before reading back, the RAM Test module shall provide the possibility to inject instruction(s) forcing the controller to clear its CPU internal cache. ⌋(SRS_RamTst_13816)

[SWS_RamTst_00224] ⌈ Unless covered by some hardware mechanism the RAM Test module shall provide a test algorithm with low coverage as stated in [11], Table D.1. ⌋(SRS_RamTst_13803, SRS_RamTst_13822)

[SWS_RamTst_00225] ⌈ Unless covered by some hardware mechanism the RAM Test module shall provide a test algorithm with medium coverage as stated in [11], Table D.1. ⌋(SRS_RamTst_13803, SRS_RamTst_13823)

[SWS_RamTst_00226] ⌈ Unless covered by some hardware mechanism the RAM Test module shall provide a test algorithm with high coverage as stated in [11], Table D.1. ⌋(SRS_RamTst_13803, SRS_RamTst_13824)

[SWS_RamTst_00204] ⌈ Unless covered by some hardware mechanism the RAM Test module shall provide a test algorithm, the RAM Test module may provide additional vendor or hardware specific test algorithms or different variants of the algorithms listed above. These algorithms must be clearly documented by the implementer, especially their fault coverage (for vendor specific configuration parameters see [SWS_RamTst_00205](#)). ⌋()

[SWS_RamTst_00221] ⌈ A processor specific test algorithm is allowed to make use of hardware macros and/or interrupts supporting the detection of data loss (like CRC, ECC) if appropriate. The implementer must describe any interrupt routine in the Basic Software Module Description and the implementation must follow the general requirements for interrupt handling (see SRS_BSW_00427, SRS_SPAL_12129, SRS_BSW_00325, SRS_BSW_00439, SRS_BSW_00314). ⌋(SRS_BSW_00427, SRS_BSW_00314, SRS_BSW_00325, SRS_BSW_00439, SRS_SPAL_12129)

7.2 Error Classification

7.2.1 Development Errors

[SWS_RamTst_00067]⌈

<i>Type of error</i>	<i>Related error code</i>	<i>Error value</i>
A particular API is called in an unexpected state (see also: SWS_RAMTST_00033, SWS_RAMTST_00037, SWS_RAMTST_00095, SWS_RAMTST_00097, SWS_RamTst_00170, SWS_RamTst_00172, SWS_RamTst_00210, SWS_RamTst_00214)	RAMTST_E_STATUS_FAILURE	0x01
API parameter out of specified range (see also: SWS_RAMTST_00039, SWS_RAMTST_00040, SWS_RAMTST_00084, SWS_RamTst_00223)	RAMTST_E_OUT_OF_RANGE	0x02
API service used without module initialization (see also: SWS_RAMTST_00089)	RAMTST_E_UNINIT	0x03
API service called with a NULL pointer (see also: SWS_RamTst_00222)	RAMTST_E_PARAM_POINTER	0x04

⌋(SRS_BSW_00337, SRS_BSW_00339, SRS_BSW_00385)

[SWS_RamTst_00089] ⌈ The function `RamTst_Init` shall be called first before calling any other RAM test functions. If this sequence is not respected, the error code

RAMTST_E_UNINIT shall be reported to the Default Error Tracer (if development error detection is enabled). $\lrcorner()$

[SWS_RamTst_00069] \lrcorner Additional errors that are detected because of specific implementation and/or specific hardware properties shall be added in the RAM Test device specific implementation specification. The classification and enumeration shall be compatible to the errors listed above in [SWS_RamTst_00067](#). $\lrcorner()$

7.2.2 Runtime Errors

There are no runtime errors.

7.2.3 Transient Faults

There are no transient faults.

7.2.4 Production Errors

There are no production errors.

7.2.5 Extended Production Errors

[SWS_RamTst_00071] \lrcorner Production errors shall be reported to Diagnostic Event Manager (DEM) via the `Dem_SetEventStatus` API. \lrcorner (SRS_BSW_00339)

[SWS_RamTst_01002] \lrcorner The RAM Test shall detect extended production error for `RamTst_MainFunction` function as described below:

Error Name:	RAMTST_MAIN_RAM_FAILURE	
Short Description:	RAM failure during test.	
Long Description:	The function <code>RamTst_MainFunction</code> shall update the overall test result status and error is updated based on the current status of <code>RamTstAlgParams</code> . See: SWS_RAMTST_00011	
Detection Criteria:	Fail	If test result of at least one block is <code>RAMTST_RESULT_NOT_OK</code> . See SWS_RamTst_01003
	Pass	If test result of all the blocks is <code>RAMTST_RESULT_OK</code> . See SWS_RamTst_01004
Secondary Parameters:	<code>RamTst_MainFunction()</code> tests memory blocks at its next scheduled call. In case of successful test result report Pass. In case of an error always report Fail.	
Time Required:	If any block test results <code>RAMTST_RESULT_NOT_OK</code> , it shall be immediately reported as error.	
Monitor Frequency	continuous	

\lrcorner (SRS_BSW_00339, SRS_BSW_00385)

[SWS_RamTst_01003] \lrcorner RAM test for `RamTst_MainFunction` function shall Fail if test result of at least one block is `RAMTST_RESULT_NOT_OK`. $\lrcorner()$

[SWS_RamTst_01004] \lrcorner RAM test for `RamTst_MainFunction` function shall Pass if test result of all the blocks is `RAMTST_RESULT_OK`. $\lrcorner()$

[SWS_RamTst_01005] The RAM Test shall detect extended production error for RamTst_RunFullTest function as described below:

Error Name:	RAMTST_RUNFL_RAM_FAILURE	
Short Description:	RAM failure during test.	
Long Description:	The function RamTst_RunFullTest shall update the overall test result status and error is updated based on the current status of RamTstAlgParams. See: SWS RAMTST 00213	
Detection Criteria:	Fail	If test result of at least one block is RAMTST_RESULT_NOT_OK. See SWS RamTst_01006
	Pass	If test result of all the blocks is RAMTST_RESULT_OK. See SWS RamTst_01007
Secondary Parameters:	RamTst_RunFullTest() tests entire RAM space without any interruption. In case of successful test result report Pass. In case of an error always report Fail.	
Time Required:	If any block test results RAMTST_RESULT_NOT_OK, it shall be immediately reported as error.	
Monitor Frequency	once-per-trip	

_(SRS_BSW_00339, SRS_BSW_00385)

[SWS_RamTst_01006] RAM Test for RamTst_RunFullTest function shall Fail if test result of at least one block is RAMTST_RESULT_NOT_OK. _()

[SWS_RamTst_01007] RAM Test for RamTst_RunFullTest function shall Pass If test result of all the blocks is RAMTST_RESULT_OK. _()

[SWS_RamTst_01008] The RAM Test shall detect extended production error for RamTst_RunPartialTest function as described below:

Error Name:	RAMTST_PART_RAM_FAILURE	
Short Description:	RAM failure during test.	
Long Description:	The function RamTst_RunPartialTest shall update the test result status of the tested block and error is updated based on the current status of RamTstAlgParams. See: SWS RAMTST 00216	
Detection Criteria:	Fail	If test result of at least one block is RAMTST_RESULT_NOT_OK. See SWS RamTst_01009
	Pass	If test result of all the blocks is RAMTST_RESULT_OK. See SWS RamTst_01010
Secondary Parameters:	RamTst_RunPartialTest() tests portion of the RAM. In case of successful test result report Pass. In case of an error always report Fail.	
Time Required:	If any block test results RAMTST_RESULT_NOT_OK, it shall be immediately reported as error.	
Monitor Frequency	once-per-trip	

_(SRS_BSW_00339, SRS_BSW_00385)

[SWS_RamTst_01009] RAM Test for RamTst_RunPartialTest function shall Fail if test result of at least one block is RAMTST_RESULT_NOT_OK. _()

[SWS_RamTst_01010] ⌈ RAM Test for RamTst_RunPartialTest function shall Pass If test result of all the blocks is RAMTST_RESULT_OK. ⌋()

7.3 General Test Behavior

This sections contains detailed specifications items which hold for the foreground test and the background test as well.

Both foreground of background tests are controlled by the currently selected parameter set `RamTstAlgParams` which defines the test algorithm, the set of memory blocks to be tested and several attributes controlling the behavior of the test.

Note that the same test algorithm can be used as part of several different `RamTstAlgParams`, that none of the `RamTstAlgParams` must necessarily contain all memory blocks and that (in general) for foreground and background tests different `RamTstAlgParams` can be selected. This allows for a flexible approach of usings the tests differently in specific ECU modes or for different types of memory.

[SWS_RamTst_00200] ⌈ If the configuration parameter `RamTstTestPolicy` for a block is set to `RAMTEST_NON_DESTRUCTIVE`, the test algorithm shall restore the original memory content of the tested cells of this block after the test (given that no error is detected). ⌋(SRS_RamTst_13811)

Hint: For a transparent test algorithm, this behavior is automatically fulfilled without additional overhead. For a non-transparent test algorithm, this option means overhead in runtime/memory in order to save and restore the content.

[SWS_RamTst_00201] ⌈ If the configuration parameter `RamTstTestPolicy` for a block is set to `RAMTEST_DESTRUCTIVE`, the test algorithm shall fill the tested cells after the test with the bit pattern defined for this block by parameter `RamTst_FillPattern` (given that no error is detected). ⌋(SRS_RamTst_13812)

This requirement shall ensure reproducible behavior.

Hint: For a transparent test algorithm, specifying this option would mean runtime overhead. For a non-transparent algorithm, the runtime overhead can be minimized, if the fill pattern corresponds to a constant value left behind by the algorithm anyhow.

[SWS_RamTst_00202] ⌈ The overall test result – for the set of blocks in the current `RamTstAlgParams` – shall be

- `RAMTST_RESULT_NOT_TESTED` if no test was started yet (after reset or de-init).
- `RAMTST_RESULT_UNDEFINED` if a test was started, not all blocks have yet been tested and no block result is `RAMTST_RESULT_NOT_OK`.

- `RAMTST_RESULT_OK` if all blocks have been tested with result status `RAMTST_RESULT_OK`.
- `RAMTST_RESULT_NOT_OK` if at least one block test result is `RAMTST_RESULT_NOT_OK` regardless whether all blocks have been already tested or not. `⌋()`

[SWS_RamTst_00207] `⌈` The test result for a specific block (identified in the given `RamTstAlgParams`) – shall be

- `RAMTST_RESULT_NOT_TESTED` if this block is considered as not yet tested.
- `RAMTST_RESULT_UNDEFINED` if a test on this block is running.
- `RAMTST_RESULT_OK` if all memory cells in this block have been tested successfully.
- `RAMTST_RESULT_NOT_OK` if a failure has been detected for at least one memory cell in this block. `⌋()`

For a given processor type, memory layout and fault model, not all possible combinations of test algorithms, block configurations and their attributes make sense. For example:

- The implementer might want to exclude a certain combination of test algorithm and `RamTstTestPolicy`.
- A certain test algorithm might have to be excluded from background tests due to performance reason.
- Some memory blocks might have to be excluded from background tests due to performance reasons or because an exclusive access cannot be guaranteed under normal operation (e.g. for shared memory).

This leads to the following requirement:

[SWS_RamTst_00203] `⌈` The implementer shall document possible restrictions for the combination of configuration parameters and for their usage in background/foreground tests. Where applicable, he shall support this by the definition of predefined or recommended configuration parameter values attached to the BSW Module Description. `⌋()`

8 API Specification

8.1 Imported Types

This chapter lists data type definitions for the included variables and constants.

[SWS_RamTst_00098]

<i>Module</i>	<i>Header File</i>	<i>Imported Type</i>
Dem	Rte_Dem_Type.h	Dem_EventIdType
	Rte_Dem_Type.h	Dem_EventStatusType
Std	Std_Types.h	Std_ReturnType
	Std_Types.h	Std_VersionInfoType

]()

8.2 Type Definitions

8.2.1 RamTst_ConfigType

[SWS_RamTst_01011]

Name	RamTst_ConfigType		
Kind	Structure		
Elements	implementation specific		
	Type		--
	Comment		--
Description	Configuration data structure of the RamTst module.		
Available via	RamTst.h		

](SRS_BSW_00414)

8.2.2 RamTst_ExecutionStatusType

[SWS_RamTst_00189]

Name	RamTst_ExecutionStatusType		
Kind	Enumeration		
Range	RAMTST_EXECUTION_UNINIT	0x00	The RAM Test is not initialized or not usable.
	RAMTST_EXECUTION_STOPPED	0x01	The RAM Test is stopped and ready to be started in foreground or to be allowed in background.
	RAMTST_EXECUTION_RUNNING	0x02	The RAM Test is currently running.
	RAMTST_EXECUTION_SUSPENDED	0x03	The background RAM Test is waiting to be resumed.

Description	This is a status value returned by the API service RamTst_GetExecutionStatus().
Available via	RamTst.h

]()

[SWS_RamTst_00006] For the type RamTst_ExecutionStatusType, the enumeration value RAMTST_EXECUTION_UNINIT shall be the default value after a reset.](SRS_BSW_00406)

8.2.3 RamTst_TestResultType

[SWS_RamTst_00190]

Name	RamTst_TestResultType		
Kind	Enumeration		
Range	RAMTST_RESULT_NOT_TESTED	0x00	The RAM Test is not executed.
	RAMTST_RESULT_OK	0x01	The RAM Test has been tested with OK result
	RAMTST_RESULT_NOT_OK	0x02	The RAM Test has been tested with NOT-OK result.
	RAMTST_RESULT_UNDEFINED	0x03	The RAM Test is currently running.
Description	This is a status value returned by the API service RamTst_GetTestResult().		
Available via	RamTst.h		

]()

[SWS_RamTst_00012] For the type RamTst_TestResultType (of the overall test result), the enumeration value RAMTST_RESULT_NOT_TESTED shall be the default value after a reset.]()

For more details on the usage of this status see chapter 7.3.

8.2.4 RamTst_AlgParamsIdType

[SWS_RamTst_00191]

Name	RamTst_AlgParamsIdType		
Kind	Type		
Derived from	uint8		
Range	0...255	--	--
Description	Data type used to identify a set of configuration parameters for a test algorithm.		

Available via	RamTst.h
----------------------	----------

]()

[SWS_RamTst_00188] For the type `RamTst_AlgorithmType`, the value 0 shall indicate, that no test parameters (and thus no test algorithm) is selected. This shall be the default value of the corresponding variable after reset.]()

8.2.5 RamTst_AlgorithmType

[SWS_RamTst_00227]

Name	RamTst_AlgorithmType		
Kind	Enumeration		
Range	RAMTST_ALGORITHM_UNDEFINED	0x00	Undefined algorithm (uninitialized value)
	RAMTST_CHECKERBOARD_TEST	0x01	Checkerboard test algorithm
	RAMTST_MARCH_TEST	0x02	March test algorithm
	RAMTST_WALK_PATH_TEST	0x03	Walk path test algorithm
	RAMTST_GALPAT_TEST	0x04	Galpat test algorithm
	RAMTST_TRANSP_GALPAT_TEST	0x05	Transparent Galpat test algorithm
	RAMTST_ABRAHAM_TEST	0x06	Abraham test algorithm
Description	This is a value returned by the API service <code>RamTst_GetTestAlgorithm()</code> .		
Available via	RamTst.h		

]()

[SWS_RamTst_00013] For the type `RamTst_AlgorithmType`, the enumeration value `RAMTST_ALGORITHM_UNDEFINED` shall be the default value after reset.]()

[SWS_RamTst_00058] The type `RamTst_AlgorithmType` shall contain only the enumerations of the algorithms selected at pre-compile time.](SRS_BSW_00345)

Note that if vendor specific algorithms were defined (see [SWS_RamTst_00205](#)), the enumeration fields of `RamTst_AlgorithmType` should be extended accordingly by the implementer (or by a code generator).

8.2.6 RamTst_NumberOfTestedCellsType

[SWS_RamTst_00173]

Name	RamTst_NumberOfTestedCellsType
Kind	Type
Derived from	uint32

Range	1...(2 ³² -1)	--	--
Description	Data type of number of tested RAM cells		
Available via	RamTst.h		

]()

8.2.7 RamTst_NumberOfBlocksType

[SWS_RamTst_00174]

Name	RamTst_NumberOfBlocksType		
Kind	Type		
Derived from	uint16		
Range	1...65535	--	--
Description	Data type used to identify or count RAM blocks given in the test configuration parameters.		
Available via	RamTst.h		

]()

8.3 Function Definitions

This is a list of functions provided for upper layer modules.

8.3.1 RamTst_Init

[SWS_RamTst_00099]

Service Name	RamTst_Init		
Syntax	<pre>void RamTst_Init (const RamTst_ConfigType* ConfigPtr)</pre>		
Service ID [hex]	0x00		
Sync/Async	Synchronous		
Reentrancy	Non Reentrant		
Parameters (in)	ConfigPtr	Pointer to the selected configuration set.	
Parameters (inout)	None		
Parameters (out)	None		
Return value	None		
Description	Service for RAM Test initialization.		
Available via	RamTst.h		

](SRS_BSW_00101, SRS_BSW_00358)

[SWS_RamTst_01012] The Configuration pointer ConfigPtr shall always have a NULL_PTR value. (SRS_BSW_00414)

The Configuration pointer ConfigPtr is currently not used and shall therefore be set NULL_PTR value.

Note: See also **[SWS_RamTst_00093]** in [10.2.1](#)

Variants.

[SWS_RamTst_00007] ⌈ The function `RamTst_Init` shall initialize all RAM Test relevant registers and global variables and change the execution status to `RAMTST_EXECUTION_STOPPED`. The test is initialized to use the default test parameter set (`RamTstDefaultAlgParamsId`) as configured by its `RamTstAlgParams` container. ⌋(SRS_BSW_00101, SRS_SPAL_12057)

[SWS_RamTst_00096] ⌈ If the DET is enabled and the execution status of the RAM Test is not `RAMTST_EXECUTION_UNINIT`, the function `RamTst_Init` shall report the error value `RAMTST_E_STATUS_FAILURE` to the DET, and then immediately return. ⌋()

8.3.2 RamTst_DeInit

[SWS_RamTst_00146]⌈

Service Name	RamTst_DeInit
Syntax	<pre>void RamTst_DeInit (void)</pre>
Service ID [hex]	0x0c
Sync/Async	Synchronous
Reentrancy	Non Reentrant
Parameters (in)	None
Parameters (inout)	None
Parameters (out)	None
Return value	None
Description	Service for RAM Test deinitialization.
Available via	RamTst.h

⌋(SRS_SPAL_12163)

[SWS_RamTst_00147] ⌈ The function `RamTst_DeInit` shall deinitialize all RAM Test relevant registers and global variables that were initialized by `RamTst_Init` and change the execution status to `RAMTST_EXECUTION_UNINIT`. ⌋()

If the RAM Test is in the `RAMTST_EXECUTION_UNINIT` state after a `RamTst_DeInit` call, a call to any `RamTst` Module function (except `RamTst_Init`) may result in unknown software behavior.

8.3.3 RamTst_Stop

[SWS_RamTst_00100]⌈

Service Name	RamTst_Stop
Syntax	void RamTst_Stop (void)
Service ID [hex]	0x02
Sync/Async	Asynchronous
Reentrancy	Non Reentrant
Parameters (in)	None
Parameters (inout)	None
Parameters (out)	None
Return value	None
Description	Service for stopping the RAM Test.
Available via	RamTst.h

⌋()

[SWS_RamTst_00014] ⌈ When the `RamTst_Stop` function is called, `RamTst_MainFunction` shall still finish the current atomic sequence (if it is executing), and afterward the status shall be set to `RAMTST_EXECUTION_STOPPED`. The test result is retained, but test parameters and loop data are not. ⌋()

[SWS_RamTst_00148] ⌈ After a `RamTst_Stop` call, `RamTst_MainFunction` shall not begin testing again when called by the scheduler until after a `RamTst-Allow` call. ⌋()

[SWS_RamTst_00033] ⌈ If the DET is enabled and the execution status of the RAM Test is not `RAMTST_EXECUTION_RUNNING` or `RAMTST_EXECUTION_SUSPENDED`, the function `RamTst_Stop` shall report the error value `RAMTST_E_STATUS_FAILURE` to the DET, and then immediately return. ⌋(SRS_BSW_00323, SRS_SPAL_12448)

The `RamTst_Stop` API can be enabled or disabled by the configuration parameter `RamTstStopApi` within the container `RamTstCommon`.

8.3.4 RamTst_Allow

[SWS_RamTst_00149]

Service Name	RamTst_Allow
Syntax	<pre>void RamTst_Allow (void)</pre>
Service ID [hex]	0x03
Sync/Async	Asynchronous
Reentrancy	Non Reentrant
Parameters (in)	None
Parameters (inout)	None
Parameters (out)	None
Return value	None
Description	Service for continuing the RAM Test after calling 'RamTst_Stop.
Available via	RamTst.h

]()

[SWS_RamTst_00169] The function RamTst_Allow shall permit the RamTst_MainFunction to perform testing at its next scheduled call, if it had been stopped. Therefore, it shall change the execution status to RAMTST_EXECUTION_RUNNING, if it has been RAMTST_EXECUTION_STOPPED. The test shall be continued with the default test parameter set (RamTstDefaultAlgParamsId) as configured by its RamTstAlgParams container.]()

[SWS_RamTst_00170] If DET is enabled and the execution status is not RAMTST_EXECUTION_STOPPED, the function RamTst_Allow shall report the error value RAMTST_E_STATUS_FAILURE to the DET, and then immediately return.](SRS_BSW_00323)

The RamTst_Allow API can be enabled or disabled by the configuration parameter RamTstAllowApi within the container RamTstCommon.

8.3.5 RamTst_Suspend

[SWS_RamTst_00150]

Service Name	RamTst_Suspend
Syntax	<pre>void RamTst_Suspend (void)</pre>
Service ID [hex]	0x0d

Sync/Async	Asynchronous
Reentrancy	Non Reentrant
Parameters (in)	None
Parameters (inout)	None
Parameters (out)	None
Return value	None
Description	Service for suspending current operation of background RAM Test, until RESUME is called.
Available via	RamTst.h

⌋()

[SWS_RamTst_00171] ⌈ The function `RamTst_Suspend` shall temporarily prohibit the `RamTst_MainFunction` from performing tests at its next scheduled call. When `RamTst_Suspend` is called and the execution status is `RAMTST_EXECUTION_RUNNING`, testing stops after the current atomic sequence, test result and current test states are retained and the execution status is changed to `RAMTST_EXECUTION_SUSPENDED`. ⌋()

[SWS_RamTst_00172] ⌈ If DET is enabled and the execution status is not `RAMTST_EXECUTION_RUNNING`, the function `RamTst_Suspend` shall report the error value `RAMTST_E_STATUS_FAILURE` to the DET, and then immediately return. ⌋(SRS_BSW_00323)

The `RamTst_Suspend` API can be enabled or disabled by the configuration parameter `RamTstSuspendApi` within the container `RamTstCommon`.

8.3.6 RamTst_Resume

[SWS_RamTst_00101]⌈

Service Name	RamTst_Resume
Syntax	<pre>void RamTst_Resume (void)</pre>
Service ID [hex]	0x0e
Sync/Async	Asynchronous
Reentrancy	Non Reentrant
Parameters (in)	None
Parameters (inout)	None

Parameters (out)	None
Return value	None
Description	Service for allowing to continue the background RAM Test at the point it was suspended.
Available via	RamTst.h

⌋()

[SWS_RamTst_00018] ⌈ The function `RamTst_Resume` shall permit the `RamTst_MainFunction` to continue testing at the point where it was suspended, at its next scheduled call. Testing continues according to the saved test states. The function `RamTst_Resume` shall change the execution status to `RAMTST_EXECUTION_RUNNING` if it has been `RAMTST_EXECUTION_SUSPENDED`.

⌋()

[SWS_RamTst_00037] ⌈ If DET is enabled and the execution status of the RAM Test module is not `RAMTST_EXECUTION_SUSPENDED`, the function `RamTst_Resume` shall report the error value `RAMTST_E_STATUS_FAILURE` to the DET, and then immediately return. ⌋(SRS_BSW_00323, SRS_SPAL_12448)

The `RamTst_Resume` API can be enabled or disabled by the configuration parameter `RamTstResumeApi` within the container `RamTstCommon`.

8.3.7 RamTst_GetExecutionStatus

[SWS_RamTst_00102]

Service Name	RamTst_GetExecutionStatus	
Syntax	<pre>RamTst_ExecutionStatusType RamTst_GetExecutionStatus (void)</pre>	
Service ID [hex]	0x04	
Sync/Async	Synchronous	
Reentrancy	Reentrant	
Parameters (in)	None	
Parameters (inout)	None	
Parameters (out)	None	
Return value	RamTst_ExecutionStatusType	See type definition
Description	Service returns the current RAM Test execution status.	
Available via	RamTst.h	

⌋(SRS_BSW_00331)

[SWS_RamTst_00019] ⌈ The function `RamTst_GetExecutionStatus` shall return the current RAM Test execution status. ⌋(SRS_RamTst_13810)

The `RamTst_GetExecutionStatus` API can be enabled or disabled by the configuration parameter `RamTst_GetExecutionStatusApi` within the container `RamTstCommon`.

8.3.8 RamTst_GetTestResult

[SWS_RamTst_00103]⌈

Service Name	RamTst_GetTestResult	
Syntax	<pre>RamTst_TestResultType RamTst_GetTestResult (void)</pre>	
Service ID [hex]	0x05	
Sync/Async	Synchronous	
Reentrancy	Reentrant	
Parameters (in)	None	
Parameters (inout)	None	
Parameters (out)	None	
Return value	RamTst_TestResultType	See type definition
Description	Service returns the current RAM Test result.	
Available via	RamTst.h	

⌋(SRS_BSW_00331)

[SWS_RamTst_00024] ⌈ The function `RamTst_GetTestResult` shall return the current RAM test result. ⌋(SRS_RamTst_13810)

The test result is determined according to [SWS_RamTst_00202](#).

The `RamTst_GetTestResult` API can be enabled or disabled by the configuration parameter `RamTstGetTestResultApi` within the container `RamTstCommon`.

8.3.9 RamTst_GetTestResultPerBlock

[SWS_RamTst_00104]⌈

Service Name	RamTst_GetTestResultPerBlock	
Syntax	<pre>RamTst_TestResultType RamTst_GetTestResultPerBlock (RamTst_NumberOfBlocksType BlockID)</pre>	
Service ID [hex]	0x06	

Sync/Async	Synchronous	
Reentrancy	Reentrant	
Parameters (in)	BlockID	Identifies the block
Parameters (inout)	None	
Parameters (out)	None	
Return value	RamTst_TestResultType	See type definition
Description	Service returns the current RAM Test result for the specified block.	
Available via	RamTst.h	

⌋(SRS_RamTst_13810)

[SWS_RamTst_00038] ⌈ The function `RamTst_GetTestResultPerBlock` shall return the current RAM test result for the specified block. ⌋(SRS_RamTst_13810)

The test result per block is determined according to [SWS_RamTst_00207](#).

[SWS_RamTst_00039] ⌈ If DET is enabled and the BlockID is out of range, the function `RamTst_GetTestResultPerBlock` shall report the error value `RAMTST_E_OUT_OF_RANGE` to the DET and return the test result value `RAMTST_RESULT_UNDEFINED`. ⌋(SRS_BSW_00323, SRS_SPAL_12448)

Hint: “Out of range” means here, that the BlockID does not match to one of the values configured for the currently selected `RamTstAlgParams/`
`RamtstBlockParams/` `RamTstBlockId`, see [ECUC_RamTst_00143](#).

The `RamTst_GetTestResultPerBlock` API can be enabled or disabled by the configuration parameter `RamTstGetTestResultPerBlockApi` within the container `RamTstCommon`.

8.3.10 RamTst_GetVersionInfo

[SWS_RamTst_00109]⌈

Service Name	RamTst_GetVersionInfo
Syntax	<pre>void RamTst_GetVersionInfo (Std_VersionInfoType* versioninfo)</pre>
Service ID [hex]	0x0a
Sync/Async	Synchronous
Reentrancy	Reentrant
Parameters (in)	None

Parameters (inout)	None	
Parameters (out)	versioninfo	Pointer to the location / address where to store the version information of this module.
Return value	None	
Description	Service returns the version information of this module.	
Available via	RamTst.h	

] (SRS_BSW_00407)

[SWS_RamTst_00222] If the function `RamTst_GetVersionInfo` is called with a NULL pointer as parameter, it shall return immediately without any further action, and if DET is enabled, this function shall report the error value

`RAMTST_E_PARAM_POINTER` to the DET module.]()

The `RamTst_GetVersionInfo` API can be enabled or disabled by the configuration parameter `RamTstVersionInfoApi` within the container `RamTstCommon`.

8.3.11 RamTst_GetAlgParams

[SWS_RamTst_00193]

Service Name	RamTst_GetAlgParams	
Syntax	<pre>RamTst_AlgorithmIdType RamTst_GetAlgParams (void)</pre>	
Service ID [hex]	0x12	
Sync/Async	Synchronous	
Reentrancy	Non Reentrant	
Parameters (in)	None	
Parameters (inout)	None	
Parameters (out)	None	
Return value	RamTst_AlgorithmIdType	See type definition.
Description	Service returns the ID of the current RAM Test algorithm parameter set.	
Available via	RamTst.h	

]()

[SWS_RamTst_00194] The function `RamTst_GetAlgParams` shall return the ID of the currently selected test algorithm parameter set (i.e. the ID of the currently selected `RamTstAlgParams` in the container `RamTstConfigParams`).]()

The `RamTst_GetAlgParams` API can be enabled or disabled by the configuration parameter `RamTstGetAlgParamsApi` within the container `RamTstCommon`.

8.3.12 RamTst_GetTestAlgorithm [SWS_RamTst_00106]

Service Name	RamTst_GetTestAlgorithm	
Syntax	<pre>RamTst_AlgorithmType RamTst_GetTestAlgorithm (void)</pre>	
Service ID [hex]	0x07	
Sync/Async	Synchronous	
Reentrancy	Non Reentrant	
Parameters (in)	None	
Parameters (inout)	None	
Parameters (out)	None	
Return value	RamTst_AlgorithmType	See type definition
Description	Service returns the current RAM Test algorithm.	
Available via	RamTst.h	

⌋()

[SWS_RamTst_00021] ⌈ The function `RamTst_GetTestAlgorithm` shall return the current RAM Test algorithm. ⌋()

The `RamTst_GetTestAlgorithm` API can be enabled or disabled by the configuration parameter `RamTstGetTestAlgorithmApi` within the container `RamTstCommon`.

8.3.13 RamTst_GetNumberOfTestedCells [SWS_RamTst_00108]

Service Name	RamTst_GetNumberOfTestedCells	
Syntax	<pre>RamTst_NumberOfTestedCellsType RamTst_GetNumberOfTested Cells (void)</pre>	
Service ID [hex]	0x09	
Sync/Async	Synchronous	
Reentrancy	Non Reentrant	
Parameters (in)	None	
Parameters	None	

(inout)		
Parameters (out)	None	
Return value	RamTst_NumberOfTestedCells-Type	Number of currently tested cells per cycle.
Description	Service returns the current number of tested cells per main-function cycle.	
Available via	RamTst.h	

](SRS_RamTst_13809)

[SWS_RamTst_00034] [The function `RamTst_GetNumberOfTestedCells` shall read the current number of tested cells per cycle.]()

The `RamTst_GetNumberOfTestedCells` API can be enabled or disabled by the configuration parameter `RamTstGetNumberOfTestedCellsApi` within the container `RamTstCommon`.

8.3.14 RamTst_SelectAlgParams

[SWS_RamTst_00105]

Service Name	RamTst_SelectAlgParams	
Syntax	<pre>void RamTst_SelectAlgParams (RamTst_AlgorithmIdType NewAlgParamsId)</pre>	
Service ID [hex]	0x0b	
Sync/Async	Synchronous	
Reentrancy	Non Reentrant	
Parameters (in)	NewAlgParamsId	Identifies the parameter set to be used.
Parameters (inout)	None	
Parameters (out)	None	
Return value	None	
Description	Service used to set the test algorithm and its parameter set.	
Available via	RamTst.h	

](SRS_RamTst_13804)

[SWS_RamTst_00083] [The function `RamTst_SelectAlgParams` shall select the test parameter set (i.e. one of the `RamTstAlgParams` in the container `RamTstConfigParams`) to be used by the RAM Test module.

](SRS_RamTst_13804)

Note: Depending on the configured content of `RamTstAlgParams`, this function may be used to select a different test algorithm. But the function may also be used to

select a different set of blocks (e.g. for foreground testing) for the same test algorithm.

[SWS_RamTst_00085] ⌈ The function `RamTst_SelectAlgParams` shall re-initialize all RAM Test relevant registers and global variables with the values for the “NewAlgParamsId”. ⌋()

[SWS_RamTst_00084] ⌈ If DET is enabled and the parameter “NewAlgParamsId” is out of range, the function `RamTst_SelectAlgParams` shall report the error value `RAMTST_E_OUT_OF_RANGE` to the DET, leaving the current `RamTstAlgParams` unchanged. ⌋(SRS_SPAL_12448)

Hint: “Out of range” means, that the “NewAlgParamsId” does not match to one of the configured values for `RamTstAlgParams/RamTstAlgParamsId`, see [ECUC_RamTst_00179](#).

[SWS_RamTst_00097] ⌈ If DET is enabled and the execution status of the RAM Test module is not `RAMTST_EXECUTION_STOPPED`, the function `RamTst_SelectAlgParams` shall report the error value `RAMTST_E_STATUS_FAILURE` to the DET, then immediately return from the function. ⌋(SRS_BSW_00323)

[SWS_RamTst_00094] ⌈ The function `RamTst_SelectAlgParams` shall initialize the test result status (according to [SWS_RamTst_00207](#) and [SWS_RamTst_00202](#)). ⌋()

Hint: It makes no sense to keep the previous test results at this point (as it was specified in former version of this document), since the block structure might change due to the selected parameter set, so the previous result could no longer be interpreted. If the test environment wants to save the previous results, it can easily retrieve them via `RamTst_GetTestResult` or `RamTst_GetTestResultPerBlock` before calling `RamTst_SelectAlgParams`.

The `RamTst_SelectAlgParams` API can be enabled or disabled by the configuration parameter `RamTstSelectAlgParamsApi` within the container `RamTstCommon`.

8.3.15 RamTst_ChangeNumberOfTestedCells

[SWS_RamTst_00107]⌈

Service Name	<code>RamTst_ChangeNumberOfTestedCells</code>
Syntax	<pre>void RamTst_ChangeNumberOfTestedCells (RamTst_NumberOfTestedCellsType NewNumberOfTestedCells)</pre>
Service ID [hex]	0x08

Sync/Async	Synchronous	
Reentrancy	Non Reentrant	
Parameters (in)	NewNumberOfTestedCells	See type definition
Parameters (inout)	None	
Parameters (out)	None	
Return value	None	
Description	Service changes the current number of tested cells.	
Available via	RamTst.h	

⌋(SRS_RamTst_13800, SRS_RamTst_13809)

[SWS_RamTst_00036] ⌈ The function `RamTst_ChangeNumberOfTestedCells` shall change the current number of tested cells (for background tests).

⌋(SRS_RamTst_13800)

[SWS_RamTst_00040] ⌈ If DET is enabled and the parameter

`NewNumberOfTestedCells` is out of range ⌋(SRS_BSW_00323,

`SRS_SPAL_12448)`

(`min= MinNumberOfTestedCells / max = MaxNumberOfTestedCells`), the function `RamTst_ChangeNumberOfTestedCells` shall report the error value `RAMTST_E_OUT_OF_RANGE` to the DET. The function shall leave the number of tested cells unchanged.

[SWS_RamTst_00095] ⌈ If the execution status of the RAM Test module is not in the status `RAMTST_EXECUTION_STOPPED`, the function

`RamTst_ChangeNumberOfTestedCells` shall not change the current number of tested cells and (if DET is enabled) shall report the error value

`RAMTST_E_STATUS_FAILURE` to the DET. ⌋(SRS_BSW_00323,

`SRS_SPAL_12448)`

The `RamTst_ChangeNumberOfTestedCells` API can be enabled or disabled by the configuration parameter `RamTstChangeNumOfTestedCellsApi` within the container `RamTstCommon`.

8.3.16 RamTst_RunFullTest

[SWS_RamTst_00195]⌈

Service Name	<code>RamTst_RunFullTest</code>
Syntax	<code>void RamTst_RunFullTest (</code> <code> void</code> <code>)</code>
Service ID [hex]	<code>0x10</code>

Sync/Async	Synchronous
Reentrancy	Non Reentrant
Parameters (in)	None
Parameters (inout)	None
Parameters (out)	None
Return value	None
Description	Service for executing the full RAM Test in the foreground.
Available via	RamTst.h

⌋()

[SWS_RamTst_00196] ⌈ If the RAM Test execution status is `RAMTST_EXECUTION_STOPPED`, the function `RamTst_RunFullTest` shall test all RAM blocks defined in the selected `RamTstAlgParams`. ⌋()

[SWS_RamTst_00210] ⌈ If DET is enabled and the execution status of the RAM Test module is not `RAMTST_EXECUTION_STOPPED`, the function `RamTst_RunFullTest` shall report the error value `RAMTST_E_STATUS_FAILURE` to the DET, and then immediately return. ⌋(SRS_BSW_00323)

[SWS_RamTst_00211] ⌈ If the RAM Test execution status is `RAMTST_EXECUTION_STOPPED`, the function `RamTst_RunFullTest` shall set the execution status to `RAMTST_EXECUTION_RUNNING` during the test and set it back to `RAMTST_EXECUTION_STOPPED` before returning. ⌋()

[SWS_RamTst_00212] ⌈ The function `RamTst_RunFullTest` shall update the test result status of single blocks according to [SWS_RamTst_00207](#). ⌋()

[SWS_RamTst_00213] ⌈ The function `RamTst_RunFullTest` shall update the overall test result status according to [SWS_RamTst_00202](#). If at least one block test result is `RAMTST_RESULT_NOT_OK`, then the function shall report the production error `RAMTST_RUNFL_RAM_FAILURE` to the DEM. ⌋(SRS_BSW_00339)

The `RamTst_RunFullTest` API can be enabled or disabled by the configuration parameter `RamTstRunFullTestApi` within the container `RamTstCommon`.

Destruction or restoration of the memory content are handled according to the requirements [SWS_RamTst_00200](#) and [SWS_RamTst_00201](#).

For pre-conditions on the function `RamTst_RunFullTest`, see requirement [SWS_RamTst_00002](#).

Implementation Hints:

For reasons of efficiency and optimum fault coverage, the implementation of `RamTst_RunFullTest` shall assume, that it has exclusive access to all memory blocks contained in its `RamTstAlgParams` during the call. This allows to apply the test algorithm on a wider range of memory than in background test, which increases the fault coverage especially for coupling faults.

Thus it is the responsibility of the test environment, to either provide appropriate resource locking, or to call the function in an ECU mode, where the memory blocks of the selected `RamTstAlgParams` are not in use. The test environment must also ensure, that `RamTst_MainFunction` is not scheduled during the foreground test.

A test algorithm usually requires various write and read cycles over a given range of memory. Some algorithms also require multiple walks through this range. It is up to the implementation, whether such a tested range corresponds to one block (which means, that the full test is split into several ranges) or even includes several or all blocks. This depends on performance issues and the assumed fault model. In any case, the test behavior must be clearly documented.

8.3.17 RamTst_RunPartialTest [SWS_RamTst_00197]

Service Name	RamTst_RunPartialTest	
Syntax	<pre>void RamTst_RunPartialTest (RamTst_NumberOfBlocksType BlockId)</pre>	
Service ID [hex]	0x11	
Sync/Async	Synchronous	
Reentrancy	Non Reentrant	
Parameters (in)	Block Id	Identifies the single RAM block to be tested in the selected set of <code>RamTstAlgParams</code> .
Parameters (inout)	None	
Parameters (out)	None	
Return value	None	
Description	Service for testing one RAM block in the foreground.	
Available via	RamTst.h	

]()

[SWS_RamTst_00198] If the RAM Test execution status is `RAMTST_EXECUTION_STOPPED` or `RAMTST_EXECUTION_SUSPENDED`, the function `RamTst_RunPartialTest` shall test the specified RAM block.]()

[SWS_RamTst_00214] † If DET is enabled and the RAM test execution status is neither `RAMTST_EXECUTION_STOPPED` nor `RAMTST_EXECUTION_SUSPENDED`, the function `RamTst_RunPartialTest` shall report the error value `RAMTST_E_STATUS_FAILURE` to the DET, and then immediately return.

‡(SRS_BSW_00323)

[SWS_RamTst_00215] † If the RAM Test execution status is `RAMTST_EXECUTION_STOPPED` or `RAMTST_EXECUTION_SUSPENDED`, the function `RamTst_RunPartialTest` shall set the execution status to `RAMTST_EXECUTION_RUNNING` during the test, and after the test shall set it back to the previous state (the state when the function was called). ‡()

[SWS_RamTst_00216] † The function `RamTst_RunPartialTest` shall update the test result status of the tested block according to [SWS_RamTst_00207](#). If this block test result is `RAMTST_RESULT_NOT_OK`, then the function shall report the production error `RAMTST_PART_RAM_FAILURE` to the DEM. ‡(SRS_BSW_00339)

[SWS_RamTst_00217] † A successful partial foreground test shall set the block specific result to `RAMTST_RESULT_OK`. It shall not modify the overall test result. A failing partial foreground test shall set both, the block specific as well as the overall test result to `RAMTST_RESULT_NOT_OK`. ‡()

[SWS_RamTst_00223] † If DET is enabled and the `BlockId` is out of range, the function `RamTst_RunPartialTest` shall report the error value `RAMTST_E_OUT_OF_RANGE` to the DET and then immediately return. ‡()

Notes:

‘Out of range’ in **[SWS_RamTst_00223]** means that the `BlockId` does not match to one of the configured values for the currently selected `Block Identifier` (`RamTstAlgParams/ RamTstBlockParams/ RamTstBlockId`).

Updating the test results will overwrite the result from a previous test of this block and the overall test result in case of failure, including the result from a suspended background test.

The `RamTst_RunPartialTest` API can be enabled or disabled by the configuration parameter `RamTstRunPartialTestApi` within the container `RamTstCommon`.

Destruction or restoration of the memory content is handled according to the requirements [SWS_RamTst_00200](#) and [SWS_RamTst_00201](#).

For pre-conditions on the function `RamTst_RunPartialTest`, see requirement [SWS_RamTst_00002](#).

Implementation Hints:

The implementation hints given for `RamTst_RunFullTest` also apply here, as far as applicable to one single block.

8.4 Callback Notifications

Since the RAM Test is a driver module, it does not implement any callback functions from lower layer modules.

8.5 Scheduled Functions

For details refer to the chapter 8.5 “Scheduled functions” in *SWS_BSWGeneral*

8.5.1 RamTst_MainFunction

[SWS_RamTst_00110]

Service Name	RamTst_MainFunction
Syntax	<pre>void RamTst_MainFunction (void)</pre>
Service ID [hex]	0x01
Description	Scheduled function for executing the RAM Test in the background.
Available via	SchM_RamTst.h

⌋(SRS_BSW_00373)

[SWS_RamTst_00008] ⌈ If the RAM Test execution status is

`RAMTST_EXECUTION_RUNNING`, the function `RamTst_MainFunction` shall continue to test the RAM blocks defined in the selected `RamTstAlgParams`.

⌋(SRS_RamTst_13809)

[SWS_RamTst_00009] ⌈ If the RAM Test execution status is

`RAMTST_EXECUTION_RUNNING` and if no blocks have yet been tested (first call of the function), then the function `RamTst_MainFunction` shall start testing with the first configured RAM block in the selected `RamTstAlgParams`. ⌋()

[SWS_RamTst_00175] ⌈ If the RAM Test execution status is not

`RAMTST_EXECUTION_RUNNING` when this API is called, the function `RamTst_MainFunction` shall return immediately without any actions.

⌋(SRS_BSW_00450)

[SWS_RamTst_00010] ⌈ The function `RamTst_MainFunction` shall update the test result status of single blocks according to [SWS_RamTst_00207](#).

⌋(SRS_RamTst_13810)

[SWS_RamTst_00011] ⌈ The function `RamTst_MainFunction` shall update the overall test result status according to [SWS_RamTst_00202](#). If at least one block test result is `RAMTST_RESULT_NOT_OK`, then the function shall report the production error `RAMTST_MAIN_RAM_FAILURE` to the DEM. ⌋(SRS_BSW_00339, SRS_RamTst_13810)

[SWS_RamTst_00047] ⌈ After the function `RamTst_MainFunction` has completed testing all RAM blocks configured in the selected `RamTstAlgParams`, the next call of the function `RamTst_MainFunction` shall restart the test from the beginning. ⌋()

[SWS_RamTst_00059] ⌈ The function `RamTst_MainFunction` shall test the defined number of RAM cells within one call. The defined number is specified by the function `RamTst_ChangeNumberOfTestedCells` or by initialization. ⌋(SRS_RamTst_13809)

Notes:

Updating the test results will overwrite the result from a previous test of the current block and the overall test result, including the case that the background test was resumed after a partial foreground test of the current block.

Destruction or restoration of the memory content are handled according to the requirements [SWS_RamTst_00200](#) and [SWS_RamTst_00201](#).

For pre-conditions on the function `RamTst_MainFunction`, see requirement [SWS_RamTst_00002](#).

Implementation Hints:

In general, the actual test algorithm within one call of `RamTst_MainFunction` must be performed within one or more atomic sequences. Only within one atomic sequence, the memory written by the algorithm is allowed to be corrupted during the test. This means, that the algorithm can be applied only to those cells accessed within one atomic sequence, so that the detection of coupling faults between cells (by background test) is restricted to those cells which are included in one atomic sequence.

An atomic sequence can either be declared as exclusive area via the BSW module description (see [3], SRS_BSW_00426), leaving the actual locking method to the BSW Scheduler, or be directly implemented via interrupt locking (see [3], SRS_BSW_00429). The latter is allowed, because the RAM test module belongs to the MCAL layer.

8.6 Expected Interfaces

In this chapter, all interfaces required from other modules are listed.

8.6.1 Mandatory Interfaces

This chapter defines all interfaces which are required to fulfill the core functionality of the module.

[SWS_RamTst_00111]

<i>API Function</i>	<i>Header File</i>	<i>Description</i>
Dem_Set-EventStatus	Dem.h	Called by SW-Cs or BSW modules to report monitor status information to the Dem. BSW modules calling Dem_SetEventStatus can safely ignore the return value. This API will be available only if $\{\{\text{Dem/DemConfigSet/DemEventParameter/DemEventReportingType}\} == \text{STANDARD_REPORTING}\}$

](SRS_BSW_00339)

8.6.2 Optional Interfaces

This chapter defines all interfaces, which are required to fulfill an optional functionality of the module.

[SWS_RamTst_00112]

<i>API Function</i>	<i>Header File</i>	<i>Description</i>
Det_ReportError	Det.h	Service to report development errors.

](

8.6.3 Configurable Interfaces

In this chapter, all interfaces are listed where the target function could be configured. The target function is usually a callback function.

Terms and definitions:

Reentrant: interface is expected to be reentrant

Don't care: reentrancy of interface not relevant for this module (in general, it is in this case not reentrant).

[SWS_RamTst_00043] ⌈ The callback notifications shall have no parameters and no return value. ⌋(SRS_SPAL_00157, SRS_SPAL_12056, SRS_RamTst_13820)

[SWS_RamTst_00044] ⌈ If a callback notification is configured as null pointer, the RAM Test module shall not execute the callback. ⌋(SRS_SPAL_00157, SRS_SPAL_12056, SRS_RamTst_13820)

8.6.3.1 RamTst_TestCompletedNotification

[SWS_RamTst_00113]

Service Name	RamTst_TestCompletedNotification
Syntax	<pre>void RamTst_TestCompletedNotification (void)</pre>
Sync/Async	Synchronous
Reentrancy	Don't care
Parameters (in)	None
Parameters (inout)	None
Parameters (out)	None
Return value	None
Description	The function RamTst_TestCompleted shall be called every time when all RAM blocks of the current test configuration have been tested in the background.
Available via	RamTst.h

](SRS_RamTst_13820)

[SWS_RamTst_00045] † The RAM Test module shall call the callback RamTst_TestCompletedNotification every time when it has tested all RAM blocks of the selected parameter set in a background test.)(SRS_SPAL_00157, SRS_RamTst_13820)

The callback notification RamTst_TestCompleted requires configuration of the parameter RamTstTestCompletedNotification within the container RamTstConfigParams.

8.6.3.2 RamTst_ErrorNotification

[SWS_RamTst_00114]

Service Name	RamTst_ErrorNotification
Syntax	<pre>void RamTst_ErrorNotification (void)</pre>
Sync/Async	Synchronous
Reentrancy	Don't care
Parameters (in)	None

Parameters (inout)	None
Parameters (out)	None
Return value	None
Description	The function <code>RamTst_Error</code> shall be called every time when a RAM failure has been detected by the selected test algorithm in the background.
Available via	<code>RamTst.h</code>

⌋(SRS_RamTst_13820)

[SWS_RamTst_00046] ⌈ The RAM test module shall call the callback

`RamTst_ErrorNotification` every time when the test algorithm of the selected parameter set has detected a RAM failure in a background test.

⌋(SRS_SPAL_00157, SRS_RamTst_13820)

The callback notification `RamTst_Error_Notification` requires configuration of the parameter `RamTstTestErrorNotification` within the container `RamTstConfigParams`.

9 Sequence Diagrams

9.1 RamTst_MainFunction (Examples)

The first example sequence shows the initialization of the RAM Test module, a foreground Run Full Test request, error notification, and the cyclic call background testing.

A cyclic background task called by a scheduler consists of several small atomic sequences in succession. At the end of each atomic sequence, the command variables are checked to see if any command has been received, and corresponding actions are taken.

The stop request is handled following the currently running atomic sequence of the main routine, or at the next cyclic call of the main routine if it is not currently running. The allow request is handled at the next cyclic call of the main routine.

The second example shows the Suspend and Resume commands, a foreground Run Partial Test request, a Test Completed notification, and the Delnit command.

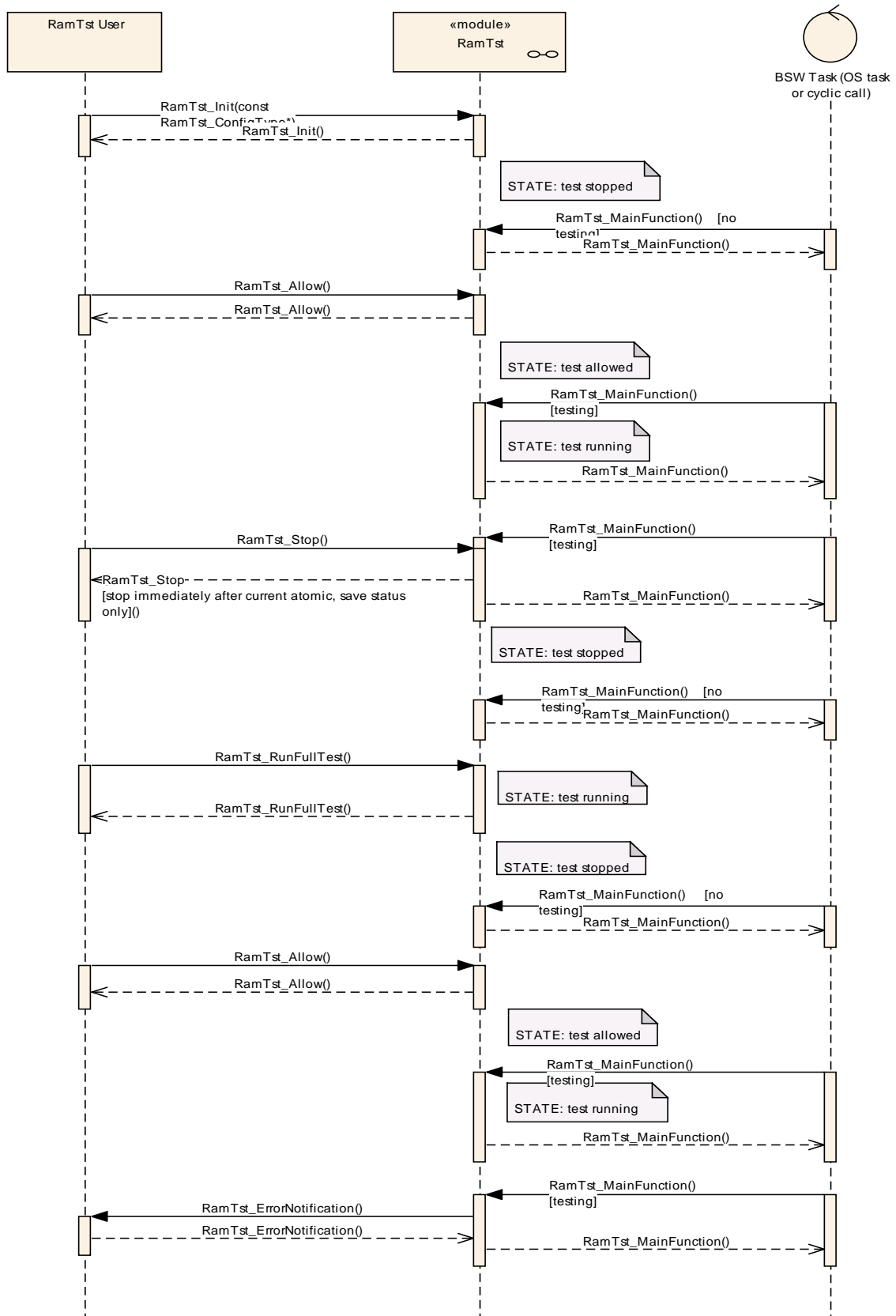


Figure 4: Initialization and foreground Run Full Test of the RAM Test module

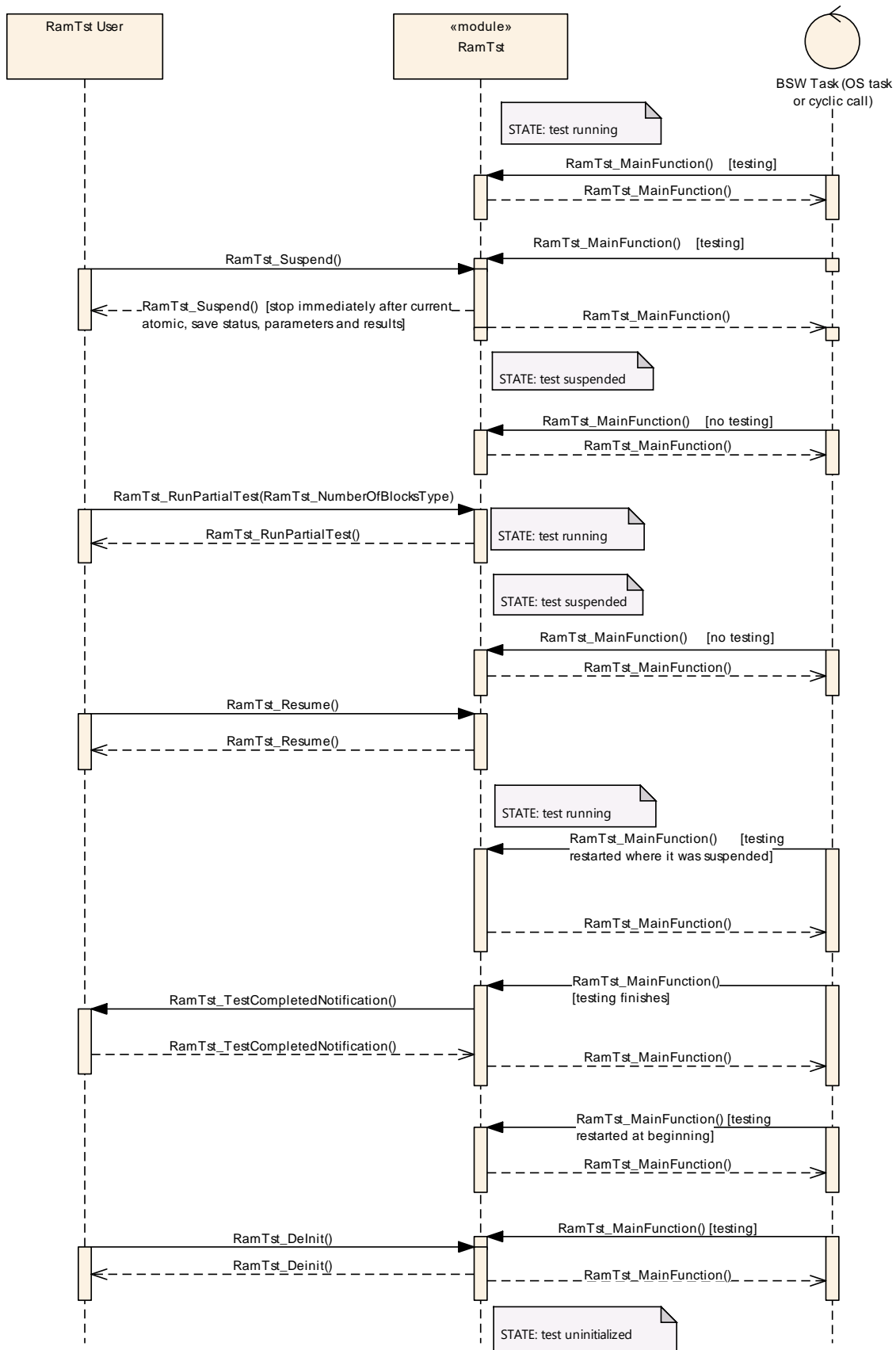


Figure 5: Deinitialization and foreground Run Partial Test of the RAM Test module

9.2 RamTst_ChangeNumberOfTestedCells

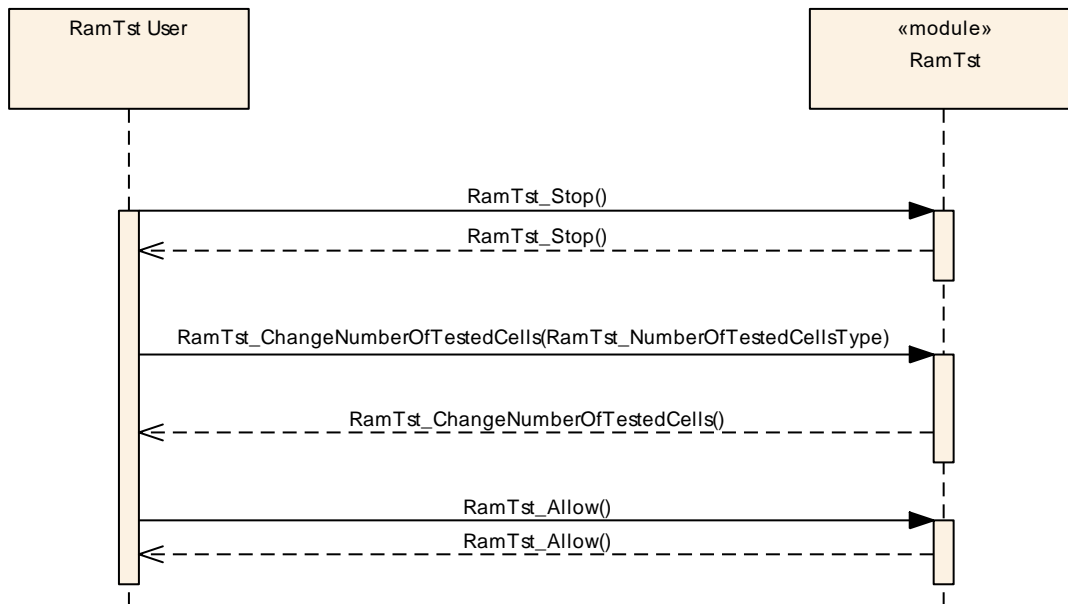


Figure 6: Change Number of Tested Cells

9.3 RamTst_SelectAlgParams

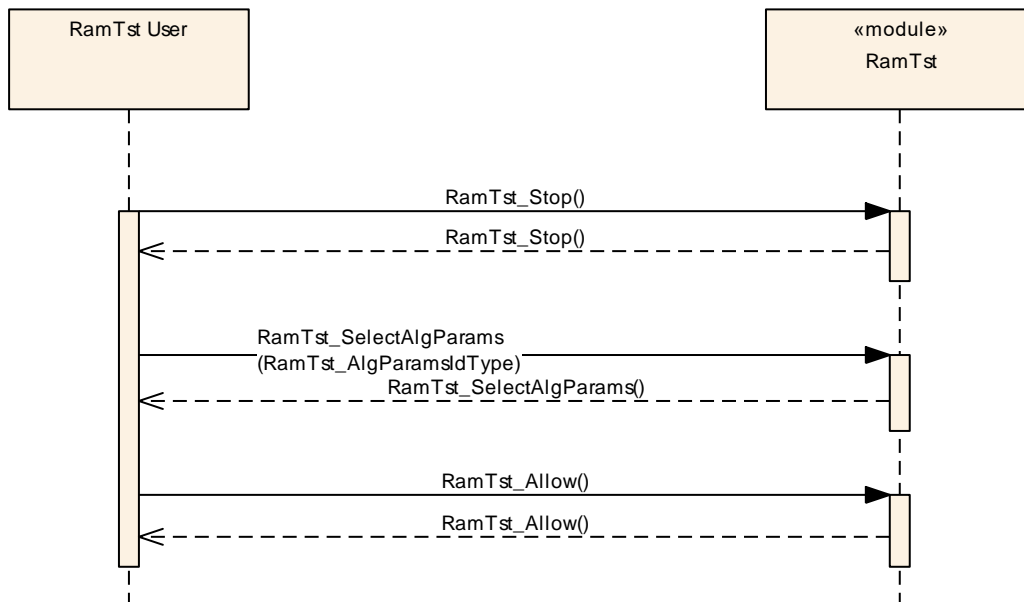


Figure 7: Set and Select Algorithm Parameters

9.4 RamTst_GetAlgParams

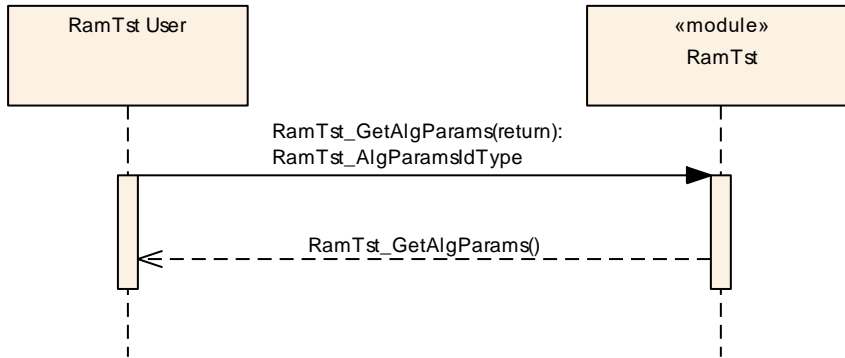


Figure 8: Get Algorithm Parameters

9.5 RamTst_GetExecutionStatus

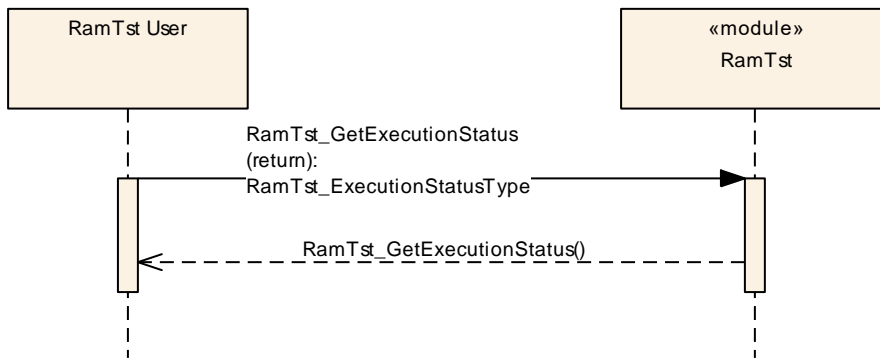


Figure 9: Get test execution status

9.6 RamTst_GetTestResult

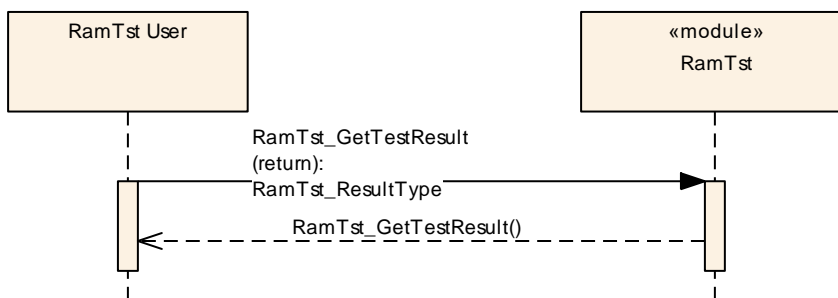


Figure 10: Get Test Result

9.7 RamTst_GetTestResultPerBlock

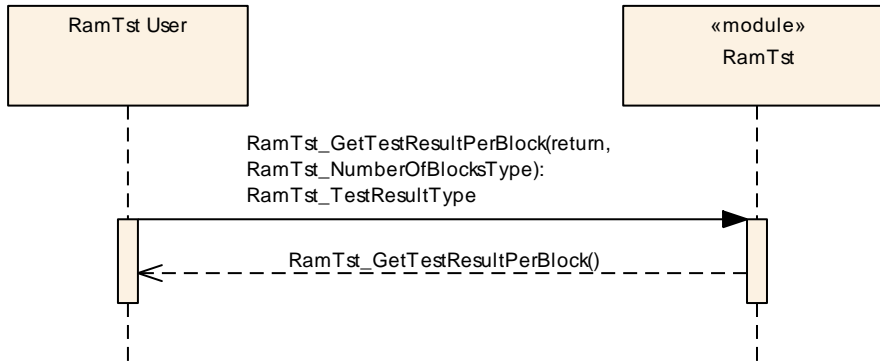


Figure 11: Get Test Result per Block

9.8 RamTst_GetTestAlgorithm

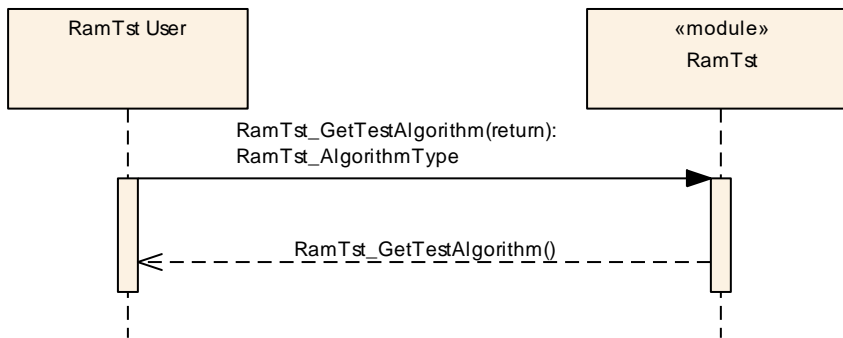


Figure 12: Get Test Algorithm

9.9 RamTst_GetNumberOfTestedCells

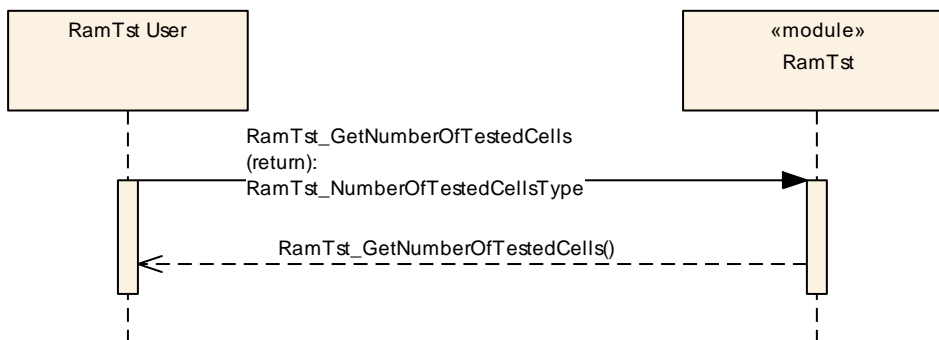


Figure 13: Get Number of Tested Cells

10 Configuration Specification

In general, this chapter defines configuration parameters and their clustering into containers. In order to support the specification, Chapter 10.1 describes fundamentals. It also specifies a template (table) that shall be used for the parameter specification. It is intended to leave Chapter 10.1 in the specification to guarantee comprehension.

Chapter 10.2 specifies the structure (containers) and the parameters of the module RAM Test.

Chapter 10.3 specifies published information of the module RAM Test.

Chapter 10.4 contains additional information for the module RAM Test.

10.1 How to read this chapter

For details refer to the chapter 10.1 “Introduction to configuration specification” in *SWS_BSWGeneral*.

[SWS_RamTst_01013] 「The RAM Test module shall reject configurations with partition mappings which are not supported by the implementation.」()

10.2 Containers and Configuration Parameters

The following sections summarize the containers of RAM Test configuration parameters. The detailed descriptions of the configuration parameters are described in Chapter 8 API Specification.

[SWS_RamTst_00026] 「 Within the configuration data for the RAM Test module, there shall be a set of configuration containers named `RamTstAlgParams`. Each one defines a possible test parameter set to be selected at runtime, which includes an algorithm. The algorithms included in `RamTstAlgParams` are restricted to those that were pre-compile selected to be available to the user via the container `RamTstAlgorithms`.」(SRS_BSW_00344, SRS_SPAL_12057, SRS_SPAL_12263, SRS_RamTst_13802, SRS_RamTst_13803, SRS_RamTst_13809)

[SWS_RamTst_00027] 「 Within the configuration data for the RAM Test module, each parameter set of type `RamTstAlgParams` (as required in [SWS_RamTst_00026](#)) shall also have memory block configuration containers. The memory block configuration container is defined in `RamTstBlockParams`. The number of memory block configuration containers is defined by the integrator according to the RAM test strategy.」(SRS_BSW_00344, SRS_SPAL_12057, SRS_SPAL_12263, SRS_RamTst_13803)

10.2.1 Variants

[SWS_RamTst_00093] † Init functions shall have a pointer to a configuration structure as single parameter. This means that, in accordance with SRS_BSW_00414 only one interface for initialization shall be implemented and it shall not depend on the modules configuration which interface the calling software module shall use. †(SRS_BSW_00414)

10.2.2 RamTst

SWS Item	[ECUC_RamTst_00150]
Module Name	RamTst
Description	Configuration of the RamTst module.
Post-Build Variant Support	false
Supported Config Variants	VARIANT-LINK-TIME, VARIANT-PRE-COMPILE

Included Containers		
Container Name	Multiplicity	Scope / Dependency
RamTst-Common	1	This container holds a list of all available functions in the RamTst module. Each function is turned ON or OFF before compiling so that only the desired functions and test algorithms are in the compiled code.
RamTstDem-Event-Parameter-Refs	0..1	Container for the references to DemEventParameter elements which shall be invoked using the API Dem_SetEventStatus in case the corresponding error occurs. The EventId is taken from the referenced DemEventParameter's DemEventId symbolic value. The standardized errors are provided in this container and can be extended by vendor-specific error references.
RamTst-Published-Information	1	Container holding all RamTst specific published information parameter.

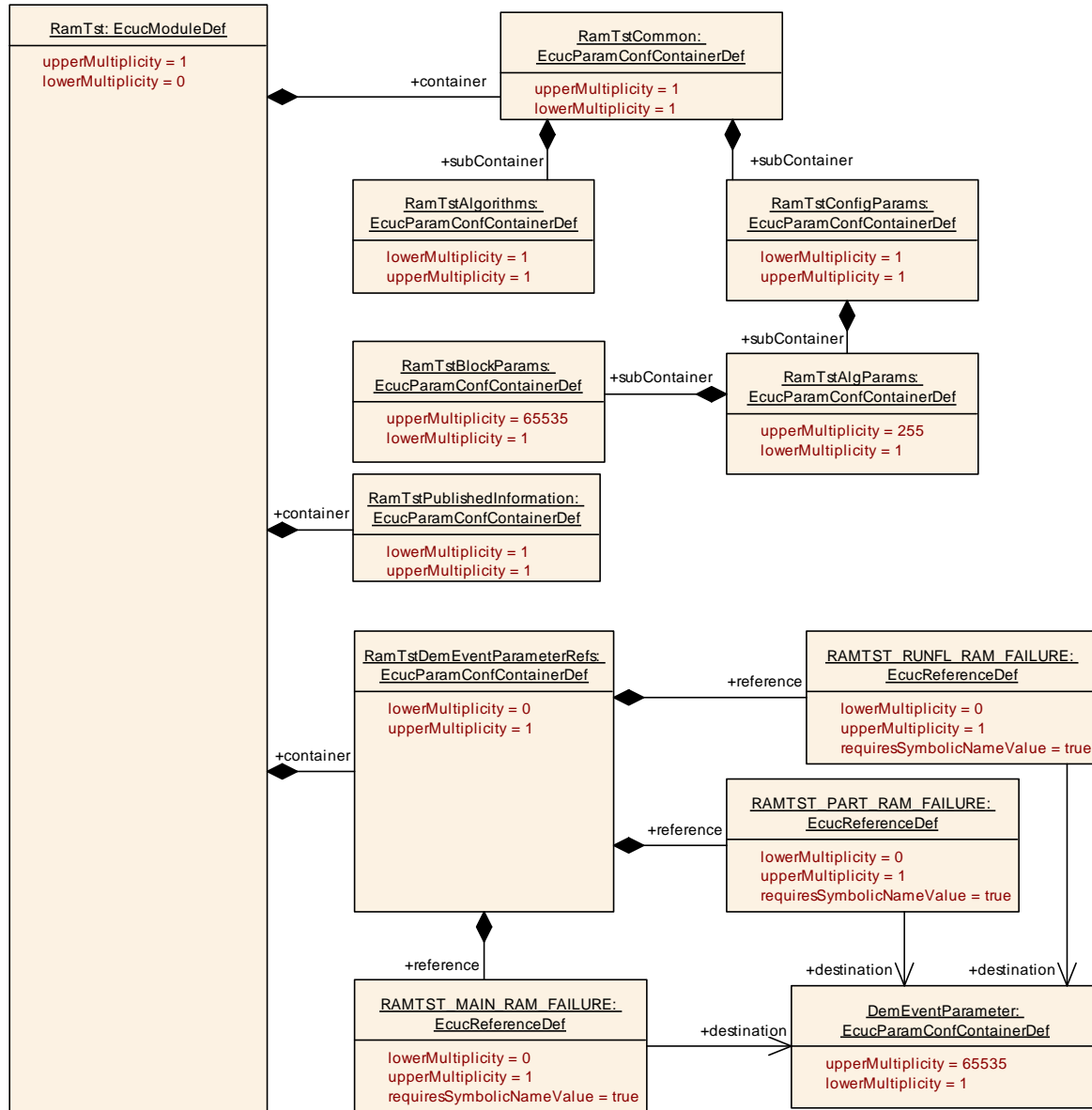


Figure 14: RAM Test Configuration Overview

10.2.3 RamTstDemEventParameterRefs

SWS Item	[ECUC_RamTst_00188]
Container Name	RamTstDemEventParameterRefs
Parent Container	RamTst
Description	Container for the references to DemEventParameter elements which shall be invoked using the API Dem_SetEventStatus in case the corresponding error occurs. The EventId is taken from the referenced DemEventParameter's DemEventId symbolic value. The standardized errors are provided in this container and can be extended by vendor-specific error references.

Configuration Parameters

SWS Item	[ECUC_RamTst_00194]		
Parameter Name	RAMTST_MAIN_RAM_FAILURE		
Parent Container	RamTstDemEventParameterRefs		
Description	Reference to the DemEventParameter which shall be issued when the error "RAM main test failure" has occurred.		
Multiplicity	0..1		
Type	Symbolic name reference to DemEventParameter		
Post-Build Variant Multiplicity	false		
Post-Build Variant Value	false		
Multiplicity Configuration Class	Pre-compile time	X	All Variants
	Link time	--	
	Post-build time	--	
Value Configuration Class	Pre-compile time	X	All Variants
	Link time	--	
	Post-build time	--	
Scope / Dependency	scope: local		

SWS Item	[ECUC_RamTst_00193]		
Parameter Name	RAMTST_PART_RAM_FAILURE		
Parent Container	RamTstDemEventParameterRefs		
Description	Reference to the DemEventParameter which shall be issued when the error "RAM partial test failure" has occurred.		
Multiplicity	0..1		
Type	Symbolic name reference to DemEventParameter		
Post-Build Variant Multiplicity	false		
Post-Build Variant Value	false		
Multiplicity Configuration Class	Pre-compile time	X	All Variants
	Link time	--	
	Post-build time	--	

Value Configuration Class	Pre-compile time	X	All Variants
	Link time	--	
	Post-build time	--	
Scope / Dependency	scope: local		

SWS Item	[ECUC_RamTst_00192]		
Parameter Name	RAMTST_RUNFL_RAM_FAILURE		
Parent Container	RamTstDemEventParameterRefs		
Description	Reference to the DemEventParameter which shall be issued when the error "RAM full test failure" has occurred.		
Multiplicity	0..1		
Type	Symbolic name reference to DemEventParameter		
Post-Build Variant Multiplicity	false		
Post-Build Variant Value	false		
Multiplicity Configuration Class	Pre-compile time	X	All Variants
	Link time	--	
	Post-build time	--	
Value Configuration Class	Pre-compile time	X	All Variants
	Link time	--	
	Post-build time	--	
Scope / Dependency	scope: local		

No Included Containers

10.2.4 RamTstCommon

SWS Item	[ECUC_RamTst_00070]
Container Name	RamTstCommon
Parent Container	RamTst
Description	This container holds a list of all available functions in the RamTst module. Each function is turned ON or OFF before compiling so that only the desired functions and test algorithms are in the compiled code.

Configuration Parameters

SWS Item	[ECUC_RamTst_00120]		
Parameter Name	RamTstAllowApi		
Parent Container	RamTstCommon		
Description	Preprocessor switch to disable / enable the function "RamTst_Allow".		
Multiplicity	1		
Type	EcucBooleanParamDef		
Default value	--		
Post-Build Variant Value	false		
Value Configuration Class	Pre-compile time	X	All Variants
	Link time	--	
	Post-build time	--	
Scope / Dependency	scope: local		

SWS Item	[ECUC_RamTst_00118]		
Parameter Name	RamTstChangeNumOfTestedCellsApi		
Parent Container	RamTstCommon		
Description	Preprocessor switch to disable / enable the function "RamTst_Change NumberOfTestedCells".		
Multiplicity	1		
Type	EcucBooleanParamDef		
Default value	--		
Post-Build Variant Value	false		
Value Configuration Class	Pre-compile time	X	All Variants
	Link time	--	
	Post-build time	--	
Scope / Dependency	scope: local		

SWS Item	[ECUC_RamTst_00121]		
Parameter Name	RamTstDevErrorDetect		
Parent Container	RamTstCommon		

Description	Switches the development error detection and notification on or off. <ul style="list-style-type: none"> • true: detection and notification is enabled. • false: detection and notification is disabled. 		
Multiplicity	1		
Type	EcucBooleanParamDef		
Default value	false		
Post-Build Variant Value	false		
Value Configuration Class	Pre-compile time	X	All Variants
	Link time	--	
	Post-build time	--	
Scope / Dependency	scope: local		

SWS Item	[ECUC_RamTst_00183]		
Parameter Name	RamTstGetAlgParamsApi		
Parent Container	RamTstCommon		
Description	Preprocessor switch to disable / enable the function "RamTst_GetAlgParams".		
Multiplicity	1		
Type	EcucBooleanParamDef		
Default value	--		
Post-Build Variant Value	false		
Value Configuration Class	Pre-compile time	X	All Variants
	Link time	--	
	Post-build time	--	
Scope / Dependency	scope: local		

SWS Item	[ECUC_RamTst_00122]		
Parameter Name	RamTstGetExecutionStatusApi		
Parent Container	RamTstCommon		
Description	Preprocessor switch to disable / enable the function "RamTst_GetExecutionStatus"		
Multiplicity	1		
Type	EcucBooleanParamDef		

Default value	--		
Post-Build Variant Value	false		
Value Configuration Class	Pre-compile time	X	All Variants
	Link time	--	
	Post-build time	--	
Scope / Dependency	scope: local		

SWS Item	[ECUC_RamTst_00123]		
Parameter Name	RamTstGetNumberOfTestedCellsApi		
Parent Container	RamTstCommon		
Description	Preprocessor switch to disable / enable the function "RamTst_GetNumberOfTestedCells".		
Multiplicity	1		
Type	EcucBooleanParamDef		
Default value	--		
Post-Build Variant Value	false		
Value Configuration Class	Pre-compile time	X	All Variants
	Link time	--	
	Post-build time	--	
Scope / Dependency	scope: local		

SWS Item	[ECUC_RamTst_00124]		
Parameter Name	RamTstGetTestAlgorithmApi		
Parent Container	RamTstCommon		
Description	Preprocessor switch to disable / enable the function "RamTst_GetTestAlgorithm"		
Multiplicity	1		
Type	EcucBooleanParamDef		
Default value	--		
Post-Build Variant Value	false		
Value Configuration Class	Pre-compile time	X	All Variants
	Link time	--	

	Post-build time	--	
Scope / Dependency	scope: local		

SWS Item	[ECUC_RamTst_00125]		
Parameter Name	RamTstGetTestResultApi		
Parent Container	RamTstCommon		
Description	Preprocessor switch to disable / enable the function "RamTst_GetTest Result"		
Multiplicity	1		
Type	EcucBooleanParamDef		
Default value	--		
Post-Build Variant Value	false		
Value Configuration Class	Pre-compile time	X	All Variants
	Link time	--	
	Post-build time	--	
Scope / Dependency	scope: local		

SWS Item	[ECUC_RamTst_00126]		
Parameter Name	RamTstGetTestResultPerBlockApi		
Parent Container	RamTstCommon		
Description	Preprocessor switch to disable / enable the function "RamTst_GetTest ResultPerBlock"		
Multiplicity	1		
Type	EcucBooleanParamDef		
Default value	--		
Post-Build Variant Value	false		
Value Configuration Class	Pre-compile time	X	All Variants
	Link time	--	
	Post-build time	--	
Scope / Dependency	scope: local		

SWS Item	[ECUC_RamTst_00155]		
Parameter Name	RamTstResumeApi		

Parent Container	RamTstCommon		
Description	Preprocessor switch to disable / enable the function "RamTst_Resume".		
Multiplicity	1		
Type	EcucBooleanParamDef		
Default value	--		
Post-Build Variant Value	false		
Value Configuration Class	Pre-compile time	X	All Variants
	Link time	--	
	Post-build time	--	
Scope / Dependency	scope: local		

SWS Item	[ECUC_RamTst_00184]		
Parameter Name	RamTstRunFullTestApi		
Parent Container	RamTstCommon		
Description	Preprocessor switch to disable / enable the function "RamTst_RunFullTest"		
Multiplicity	1		
Type	EcucBooleanParamDef		
Default value	--		
Post-Build Variant Value	false		
Value Configuration Class	Pre-compile time	X	All Variants
	Link time	--	
	Post-build time	--	
Scope / Dependency	scope: local		

SWS Item	[ECUC_RamTst_00185]		
Parameter Name	RamTstRunPartialTestApi		
Parent Container	RamTstCommon		
Description	Preprocessor switch to disable / enable the function "RamTst_RunPartialTest"		
Multiplicity	1		
Type	EcucBooleanParamDef		

Default value	--		
Post-Build Variant Value	false		
Value Configuration Class	Pre-compile time	X	All Variants
	Link time	--	
	Post-build time	--	
Scope / Dependency	scope: local		

SWS Item	[ECUC_RamTst_00182]		
Parameter Name	RamTstSelectAlgParamsApi		
Parent Container	RamTstCommon		
Description	Preprocessor switch to disable / enable the function "RamTst_SelectAlgParams".		
Multiplicity	1		
Type	EcucBooleanParamDef		
Default value	--		
Post-Build Variant Value	false		
Value Configuration Class	Pre-compile time	X	All Variants
	Link time	--	
	Post-build time	--	
Scope / Dependency	scope: local		

SWS Item	[ECUC_RamTst_00127]		
Parameter Name	RamTstStopApi		
Parent Container	RamTstCommon		
Description	Preprocessor switch to disable / enable the function "RamTst_Stop"		
Multiplicity	1		
Type	EcucBooleanParamDef		
Default value	--		
Post-Build Variant Value	false		
Value Configuration Class	Pre-compile time	X	All Variants
	Link time	--	
	Post-build time	--	

Scope / Dependency	scope: local
---------------------------	--------------

SWS Item	[ECUC_RamTst_00156]		
Parameter Name	RamTstSuspendApi		
Parent Container	RamTstCommon		
Description	Preprocessor switch to disable / enable the function "RamTst_Suspend".		
Multiplicity	1		
Type	EcucBooleanParamDef		
Default value	--		
Post-Build Variant Value	false		
Value Configuration Class	Pre-compile time	X	All Variants
	Link time	--	
	Post-build time	--	
Scope / Dependency	scope: local		

SWS Item	[ECUC_RamTst_00128]		
Parameter Name	RamTstVersionInfoApi		
Parent Container	RamTstCommon		
Description	Preprocessor switch to disable / enable the function "RamTst_GetVersionInfo"		
Multiplicity	1		
Type	EcucBooleanParamDef		
Default value	false		
Post-Build Variant Value	false		
Value Configuration Class	Pre-compile time	X	All Variants
	Link time	--	
	Post-build time	--	
Scope / Dependency	scope: local		

SWS Item	[ECUC_RamTst_00190]		
Parameter Name	RamTstEcucPartitionRef		
Parent Container	RamTstCommon		

Description	Maps the RAM test to zero or multiple ECUC partitions to make the modules API available in this partition. The RAM test will operate as an independent instance in each of the partitions.		
Multiplicity	0..*		
Type	Reference to EcucPartition		
Post-Build Variant Multiplicity	false		
Post-Build Variant Value	false		
Multiplicity Configuration Class	Pre-compile time	X	All Variants
	Link time	--	
	Post-build time	--	
Value Configuration Class	Pre-compile time	X	All Variants
	Link time	--	
	Post-build time	--	
Scope / Dependency	scope: ECU		

Included Containers		
Container Name	Multiplicity	Scope / Dependency
RamTst-Algorithms	1	This container holds all of the available test algorithms for the specific microcontroller. Each test algorithm is selected ON or OFF before compiling so that only the desired test algorithms are in the compiled code.
RamTst-Config-Params	1	This container specifies configuration parameters which are set at pre-compile or link time.

[SWS_RamTst_CONSTR_01015] 「 The module will operate as an independent instance in each of the partitions, means the called API will only target the partition it is called in.」()

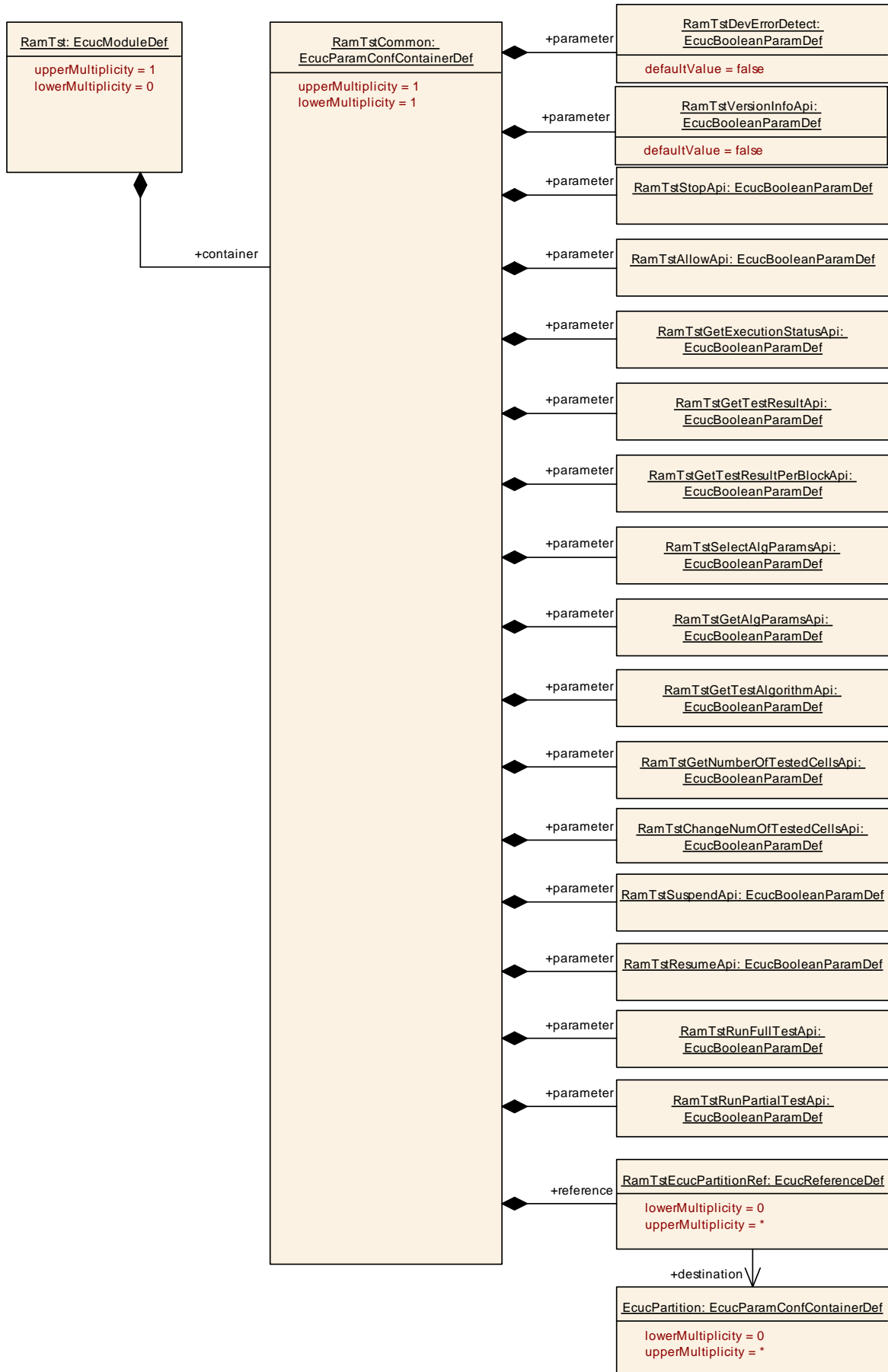


Figure 15: RamTstCommon

10.2.5 RamTstAlgorithms

SWS Item	[ECUC_RamTst_00065]
Container Name	RamTstAlgorithms
Parent Container	RamTstCommon
Description	This container holds all of the available test algorithms for the specific microcontroller. Each test algorithm is selected ON or OFF before compiling so that only the desired test algorithms are in the compiled code.
Configuration Parameters	

SWS Item	[ECUC_RamTst_00129]		
Parameter Name	RamTstAbrahamTestSelected		
Parent Container	RamTstAlgorithms		
Description	Preprocessor switch to select the Abraham Test ON or OFF		
Multiplicity	1		
Type	EcucBooleanParamDef		
Default value	--		
Post-Build Variant Value	false		
Value Configuration Class	Pre-compile time	X	All Variants
	Link time	--	
	Post-build time	--	
Scope / Dependency	scope: local		

SWS Item	[ECUC_RamTst_00130]
Parameter Name	RamTstCheckerboardTestSelected
Parent Container	RamTstAlgorithms
Description	Preprocessor switch to select the Checkerboard Test ON or OFF
Multiplicity	1
Type	EcucBooleanParamDef
Default value	--
Post-Build Variant Value	false

Value Configuration Class	Pre-compile time	X	All Variants
	Link time	--	
	Post-build time	--	
Scope / Dependency	scope: local		

SWS Item	[ECUC_RamTst_00132]		
Parameter Name	RamTstGalpatTestSelected		
Parent Container	RamTstAlgorithms		
Description	Preprocessor switch to select the Galpat Test ON or OFF		
Multiplicity	1		
Type	EcucBooleanParamDef		
Default value	--		
Post-Build Variant Value	false		
Value Configuration Class	Pre-compile time	X	All Variants
	Link time	--	
	Post-build time	--	
Scope / Dependency	scope: local		

SWS Item	[ECUC_RamTst_00133]		
Parameter Name	RamTstMarchTestSelected		
Parent Container	RamTstAlgorithms		
Description	Preprocessor switch to select the March Test ON or OFF		
Multiplicity	1		
Type	EcucBooleanParamDef		
Default value	--		
Post-Build Variant Value	false		
Value Configuration Class	Pre-compile time	X	All Variants
	Link time	--	
	Post-build time	--	
Scope / Dependency	scope: local		

SWS Item	[ECUC_RamTst_00134]
-----------------	---------------------

Parameter Name	RamTstTranspGalpatTestSelected		
Parent Container	RamTstAlgorithms		
Description	Preprocessor switch to select the Transparent Galpat Test ON or OFF		
Multiplicity	1		
Type	EcucBooleanParamDef		
Default value	--		
Post-Build Variant Value	false		
Value Configuration Class	Pre-compile time	X	All Variants
	Link time	--	
	Post-build time	--	
Scope / Dependency	scope: local		

SWS Item	[ECUC_RamTst_00135]		
Parameter Name	RamTstWalkPathTestSelected		
Parent Container	RamTstAlgorithms		
Description	Preprocessor switch to select the Walking Path Test ON or OFF		
Multiplicity	1		
Type	EcucBooleanParamDef		
Default value	--		
Post-Build Variant Value	false		
Value Configuration Class	Pre-compile time	X	All Variants
	Link time	--	
	Post-build time	--	
Scope / Dependency	scope: local		

No Included Containers

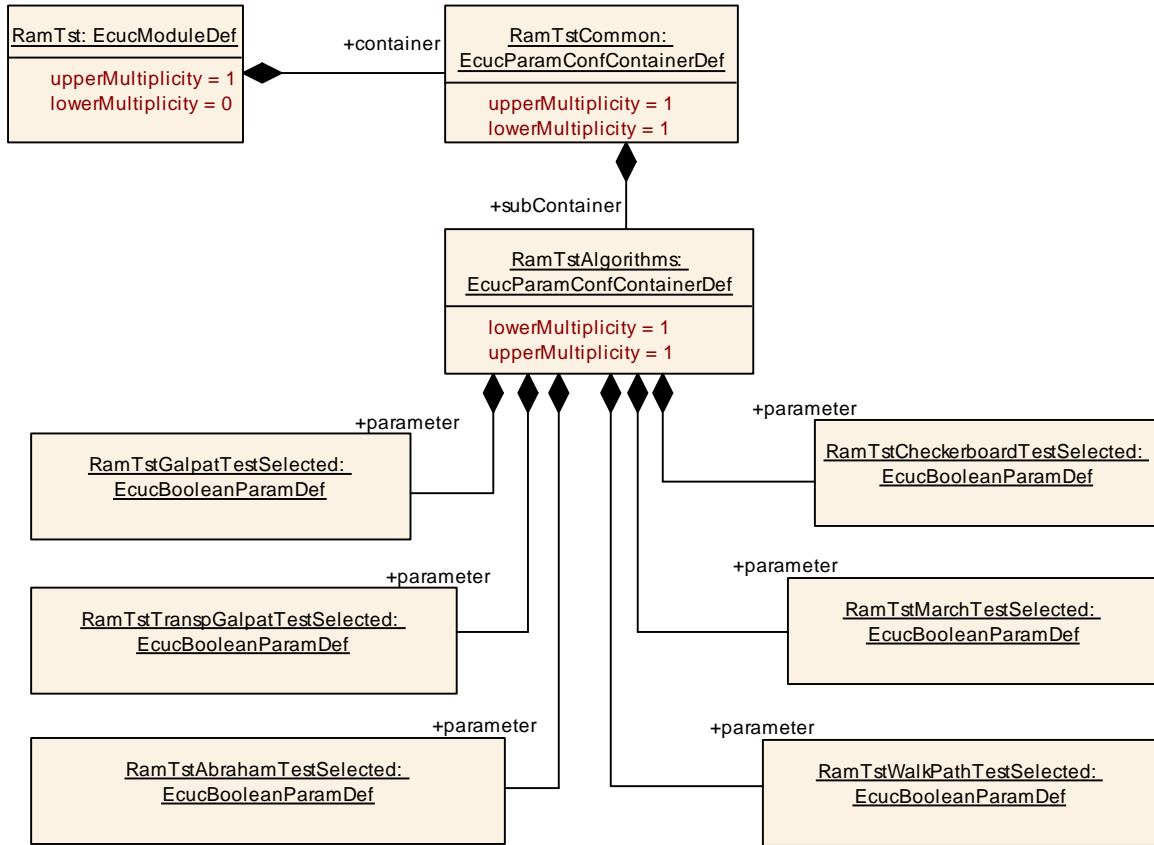


Figure 16: RamTstAlgorithms

10.2.6 RamTstConfigParams

SWS Item	[ECUC_RamTst_00066]
Container Name	RamTstConfigParams
Parent Container	RamTstCommon
Description	This container specifies configuration parameters which are set at pre-compile or link time.
Configuration Parameters	

SWS Item	[ECUC_RamTst_00181]
Parameter Name	RamTstDefaultAlgParamsId
Parent Container	RamTstConfigParams
Description	This is the identifier for the default "RamTstAlgParams" valid after the "RamTst_Init(..)" function. It is the initial value for a RAM variable which could be changed by the function "RamTst_SelectAlgParams".
Multiplicity	1

Type	EcucIntegerParamDef		
Range	1 .. 255		
Default value	--		
Post-Build Variant Value	false		
Value Configuration Class	Pre-compile time	X	VARIANT-PRE-COMPILE
	Link time	X	VARIANT-LINK-TIME
	Post-build time	--	
Scope / Dependency	scope: local		

SWS Item	[ECUC_RamTst_00154]		
Parameter Name	RamTstMinNumberOfTestedCells		
Parent Container	RamTstConfigParams		
Description	Minimum number of tested cells for one cycle of a background test, as defined by implementer.		
Multiplicity	1		
Type	EcucIntegerParamDef		
Range	1 .. 4294967295		
Default value	--		
Post-Build Variant Value	false		
Value Configuration Class	Pre-compile time	X	VARIANT-PRE-COMPILE
	Link time	X	VARIANT-LINK-TIME
	Post-build time	--	
Scope / Dependency	scope: local		

SWS Item	[ECUC_RamTst_00180]		
Parameter Name	RamTstNumberOfAlgParamSets		
Parent Container	RamTstConfigParams		
Description	Number of configured parameter sets for the available test algorithms. calculationFormula = count of the container RamTst_AlarParams		
Multiplicity	1		
Type	EcucIntegerParamDef		

Range	1 .. 255		
Default value	--		
Post-Build Variant Value	false		
Value Configuration Class	Pre-compile time	X	VARIANT-PRE-COMPILE
	Link time	X	VARIANT-LINK-TIME
	Post-build time	--	
Scope / Dependency	scope: local dependency: "RamTstNumberOfAlgParamSets" is derived by the count of "RamTstAlgParams" which is part of the same subContainer and has a multiplicity of 1 to 255.		

SWS Item	[ECUC_RamTst_00138]		
Parameter Name	RamTstTestCompletedNotification		
Parent Container	RamTstConfigParams		
Description	This function will be called from a background test after finishing the RAM test without an error.		
Multiplicity	1		
Type	EcucFunctionNameDef		
Default value	--		
Regular Expression	--		
Post-Build Variant Value	false		
Value Configuration Class	Pre-compile time	X	VARIANT-PRE-COMPILE
	Link time	X	VARIANT-LINK-TIME
	Post-build time	--	
Scope / Dependency	scope: local		

SWS Item	[ECUC_RamTst_00139]		
Parameter Name	RamTstTestErrorNotification		
Parent Container	RamTstConfigParams		
Description	This function will be called from a background test if an error occurs during the RAM test.		
Multiplicity	1		
Type	EcucFunctionNameDef		

Default value	--		
Regular Expression	--		
Post-Build Variant Value	false		
Value Configuration Class	Pre-compile time	X	VARIANT-PRE-COMPILE
	Link time	X	VARIANT-LINK-TIME
	Post-build time	--	
Scope / Dependency	scope: local		

Included Containers		
Container Name	Multiplicity	Scope / Dependency
RamTstAlg-Params	1..255	This container holds parameters for configuring an algorithm. For each algorithm selected in the RamTst_Algorithms container there can be one or more RamTstAlgParams containers. The multiplicity of the included container RamTstBlockParams depends on the number of separate blocks of RAM which are defined for the particular test configuration.

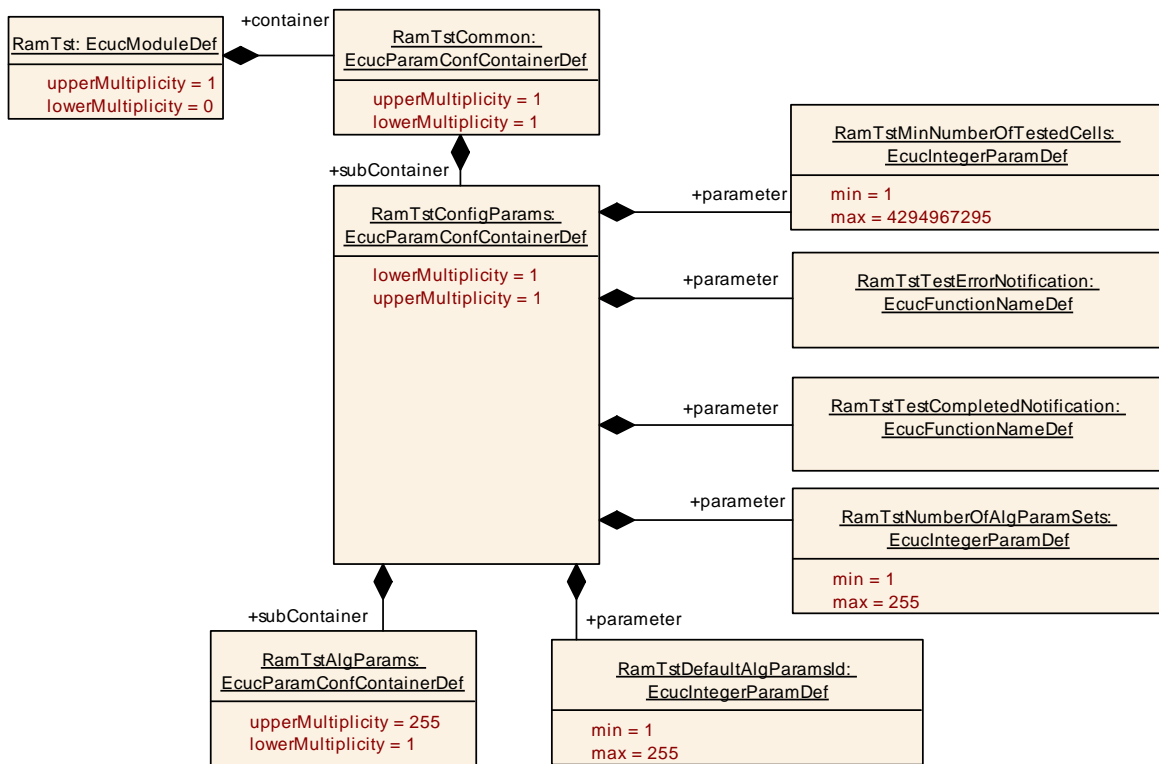


Figure 17: RamTstConfigParams

10.2.7 RamTstAlgParams

SWS Item	[ECUC_RamTst_00090]
Container Name	RamTstAlgParams
Parent Container	RamTstConfigParams
Description	This container holds parameters for configuring an algorithm. For each algorithm selected in the RamTst_Algorithms container there can be one or more RamTstAlgParams containers. The multiplicity of the included container RamTstBlockParams depends on the number of separate blocks of RAM which are defined for the particular test configuration.
Configuration Parameters	

SWS Item	[ECUC_RamTst_00178]		
Parameter Name	RamTstAlgorithm		
Parent Container	RamTstAlgParams		
Description	This is the algorithm for which this RamTstAlgParams set is defined. Note that the same algorithm can be used in more than one RamTstAlgParams. Constraint: Only the algorithms selected by RamTstCommon/ RamTst Algorithms can be used.		
Multiplicity	1		
Type	EcucEnumerationParamDef		
Range	RAMTST_ABRAHAM_TEST	--	
	RAMTST_CHECKERBOARD_TEST	--	
	RAMTST_GALPAT_TEST	--	
	RAMTST_MARCH_TEST	--	
	RAMTST_TRANSP_GALPAT_TEST	--	
	RAMTST_WALK_PATH_TEST	--	
Post-Build Variant Value	false		
Value Configuration Class	Pre-compile time	X	VARIANT-PRE-COMPILE
	Link time	X	VARIANT-LINK-TIME
	Post-build time	--	
Scope / Dependency	scope: local		

SWS Item	[ECUC_RamTst_00179]
Parameter Name	RamTstAlgParamsId

Parent Container	RamTstAlgParams		
Description	This is the identifier by which this RamTstAlgParams set can be selected.		
Multiplicity	1		
Type	EcucIntegerParamDef		
Range	1 .. 255		
Default value	--		
Post-Build Variant Value	false		
Value Configuration Class	Pre-compile time	X	VARIANT-PRE-COMPILE
	Link time	X	VARIANT-LINK-TIME
	Post-build time	--	
Scope / Dependency	scope: local		

SWS Item	[ECUC_RamTst_00152]		
Parameter Name	RamTstExtNumberOfTestedCells		
Parent Container	RamTstAlgParams		
Description	This is the absolute maximum value for the number of cells that NUMBER_OF_TESTED_CELLS and MAX_NUMBER_OF_TESTED_CELLS can be.		
Multiplicity	1		
Type	EcucIntegerParamDef		
Range	1 .. 4294967295		
Default value	--		
Post-Build Variant Value	false		
Value Configuration Class	Pre-compile time	X	VARIANT-PRE-COMPILE
	Link time	X	VARIANT-LINK-TIME
	Post-build time	--	
Scope / Dependency	scope: local		

SWS Item	[ECUC_RamTst_00153]		
Parameter Name	RamTstMaxNumberOfTestedCells		
Parent Container	RamTstAlgParams		
Description	This is the maximum value for the number of cells that can be tested in one		

	cycle of a background test.		
Multiplicity	1		
Type	EcucIntegerParamDef		
Range	1 .. 4294967295		
Default value	--		
Post-Build Variant Value	false		
Value Configuration Class	Pre-compile time	X	VARIANT-PRE-COMPILE
	Link time	X	VARIANT-LINK-TIME
	Post-build time	--	
Scope / Dependency	scope: local		

SWS Item	[ECUC_RamTst_00141]		
Parameter Name	RamTstNumberOfBlocks		
Parent Container	RamTstAlgParams		
Description	Number of RAM blocks configured using the container "RamTst_BlockParams" calculationFormula = Count of RamTstBlockParams contained in this RamTst AlgParams.		
Multiplicity	1		
Type	EcucIntegerParamDef		
Range	1 .. 65535		
Default value	--		
Post-Build Variant Value	false		
Value Configuration Class	Pre-compile time	X	VARIANT-PRE-COMPILE
	Link time	X	VARIANT-LINK-TIME
	Post-build time	--	
Scope / Dependency	scope: local dependency: "RamTstNumberOfBlocks" is derived by the count of the number of "RamTstBlockParams" containers which are part of the same subcontainer and have a multiplicity of 0..65535.		

SWS Item	[ECUC_RamTst_00142]		
Parameter Name	RamTstNumberOfTestedCells		
Parent Container	RamTstAlgParams		

Description	This is the initial value for a RAM variable, which can be changed by the function "RamTst_ChangeNumberOfTestedCells"		
Multiplicity	1		
Type	EcucIntegerParamDef		
Range	1 .. 4294967295		
Default value	--		
Post-Build Variant Value	false		
Value Configuration Class	Pre-compile time	X	VARIANT-PRE-COMPILE
	Link time	X	VARIANT-LINK-TIME
	Post-build time	--	
Scope / Dependency	scope: local		

SWS Item	[ECUC_RamTst_00191]		
Parameter Name	RamTstBlockParamsEcucPartitionRef		
Parent Container	RamTstAlgParams		
Description	Maps the RAM test block parameter configuration of an individual RAM block to zero or one ECUC partitions. The ECUC partition referenced is a subset of the ECUC partitions where the RamTst driver is mapped to. The according test shall run in the referenced ECUC partition.		
Multiplicity	0..1		
Type	Reference to EcucPartition		
Post-Build Variant Multiplicity	false		
Post-Build Variant Value	false		
Multiplicity Configuration Class	Pre-compile time	X	All Variants
	Link time	--	
	Post-build time	--	
Value Configuration Class	Pre-compile time	X	All Variants
	Link time	--	
	Post-build time	--	
Scope / Dependency	scope: ECU		

Included Containers		
Container Name	Multiplicity	Scope / Dependency
RamTst-Block-Params	1..65535	This container holds the description for one block of RAM. For each RAM block to be tested by a given algorithm, there is one container which describes the block. Multiple instances of this container are included in each container RamTst_AlGParams.

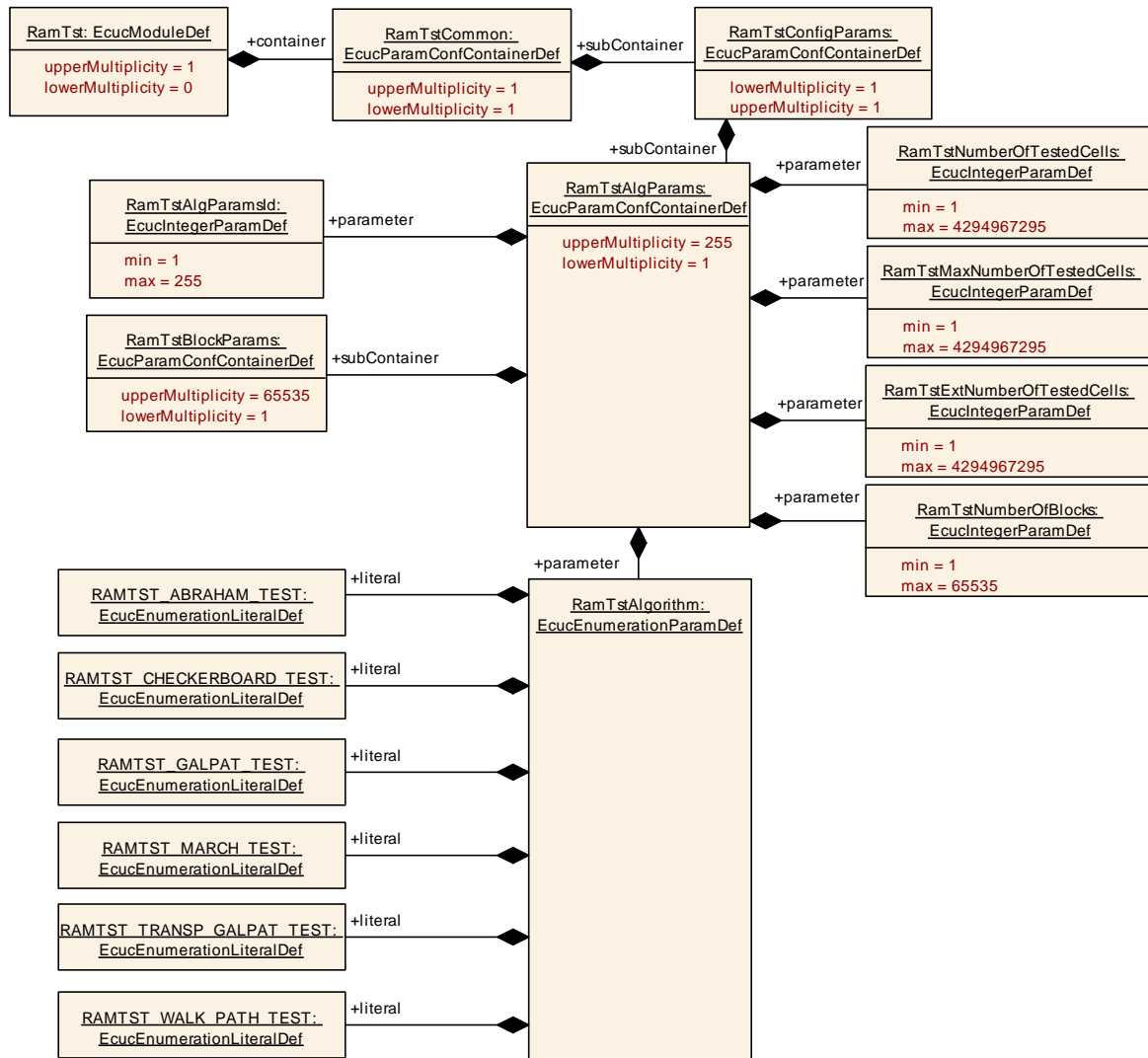


Figure 18: RamTstAlgParams

[SWS_RamTst_CONSTR_01016] 「 The ECUC partitions referenced by RamTstBlockParamsEcucPartitionRef shall be a subset of the ECUC partitions referenced by RamTstEcucPartitionRef. 」()

10.2.8 RamTstBlockParams

SWS Item	[ECUC_RamTst_00091]
Container Name	RamTstBlockParams
Parent Container	RamTstAlgParams
Description	This container holds the description for one block of RAM. For each RAM block to be tested by a given algorithm, there is one container which describes the block. Multiple instances of this container are included in each container RamTst_AlgoParams.
Configuration Parameters	

SWS Item	[ECUC_RamTst_00143]		
Parameter Name	RamTstBlockId		
Parent Container	RamTstBlockParams		
Description	ID of the RAM block		
Multiplicity	1		
Type	EcucIntegerParamDef		
Range	1 .. 65535		
Default value	--		
Post-Build Variant Value	false		
Value Configuration Class	Pre-compile time	X	VARIANT-PRE-COMPILE
	Link time	X	VARIANT-LINK-TIME
	Post-build time	--	
Scope / Dependency	scope: local		

SWS Item	[ECUC_RamTst_00144]		
Parameter Name	RamTstEndAddress		
Parent Container	RamTstBlockParams		
Description	End Address of the RAM block. Constraint: It must be larger than the RamTstStartAddress.		
Multiplicity	1		
Type	EcucIntegerParamDef		
Range	1 .. 4294967295		
Default value	--		

Post-Build Variant Value	false		
Value Configuration Class	Pre-compile time	X	VARIANT-PRE-COMPILE
	Link time	X	VARIANT-LINK-TIME
	Post-build time	--	
Scope / Dependency	scope: local		

SWS Item	[ECUC_RamTst_00176]		
Parameter Name	RamTstFillPattern		
Parent Container	RamTstBlockParams		
Description	Pattern to be filled into each memory cell after destructive test of this block.		
Multiplicity	1		
Type	EcucIntegerParamDef		
Range	0 .. 4294967295		
Default value	--		
Post-Build Variant Value	false		
Value Configuration Class	Pre-compile time	X	VARIANT-PRE-COMPILE
	Link time	X	VARIANT-LINK-TIME
	Post-build time	--	
Scope / Dependency	scope: local		

SWS Item	[ECUC_RamTst_00145]		
Parameter Name	RamTstStartAddress		
Parent Container	RamTstBlockParams		
Description	Start Address of the RAM block. Constraint: It must be smaller than the RamTstEndAddress.		
Multiplicity	1		
Type	EcucIntegerParamDef		
Range	0 .. 4294967295		
Default value	--		
Post-Build Variant Value	false		
Value Configuration Class	Pre-compile time	X	VARIANT-PRE-COMPILE
	Link time	X	VARIANT-LINK-TIME

	Post-build time	--	
Scope / Dependency	scope: local		

SWS Item	[ECUC_RamTst_00177]		
Parameter Name	RamTstTestPolicy		
Parent Container	RamTstBlockParams		
Description	Policy regarding destruction or non-destruction of memory content.		
Multiplicity	1		
Type	EcucEnumerationParamDef		
Range	RAMTEST_DESTRUCTIVE	RAM test does not restore memory content.	
	RAMTEST_NON_DESTRUCTIVE	RAM test restores memory content.	
Post-Build Variant Value	false		
Value Configuration Class	Pre-compile time	X	VARIANT-PRE-COMPILE
	Link time	X	VARIANT-LINK-TIME
	Post-build time	--	
Scope / Dependency	scope: local		

No Included Containers

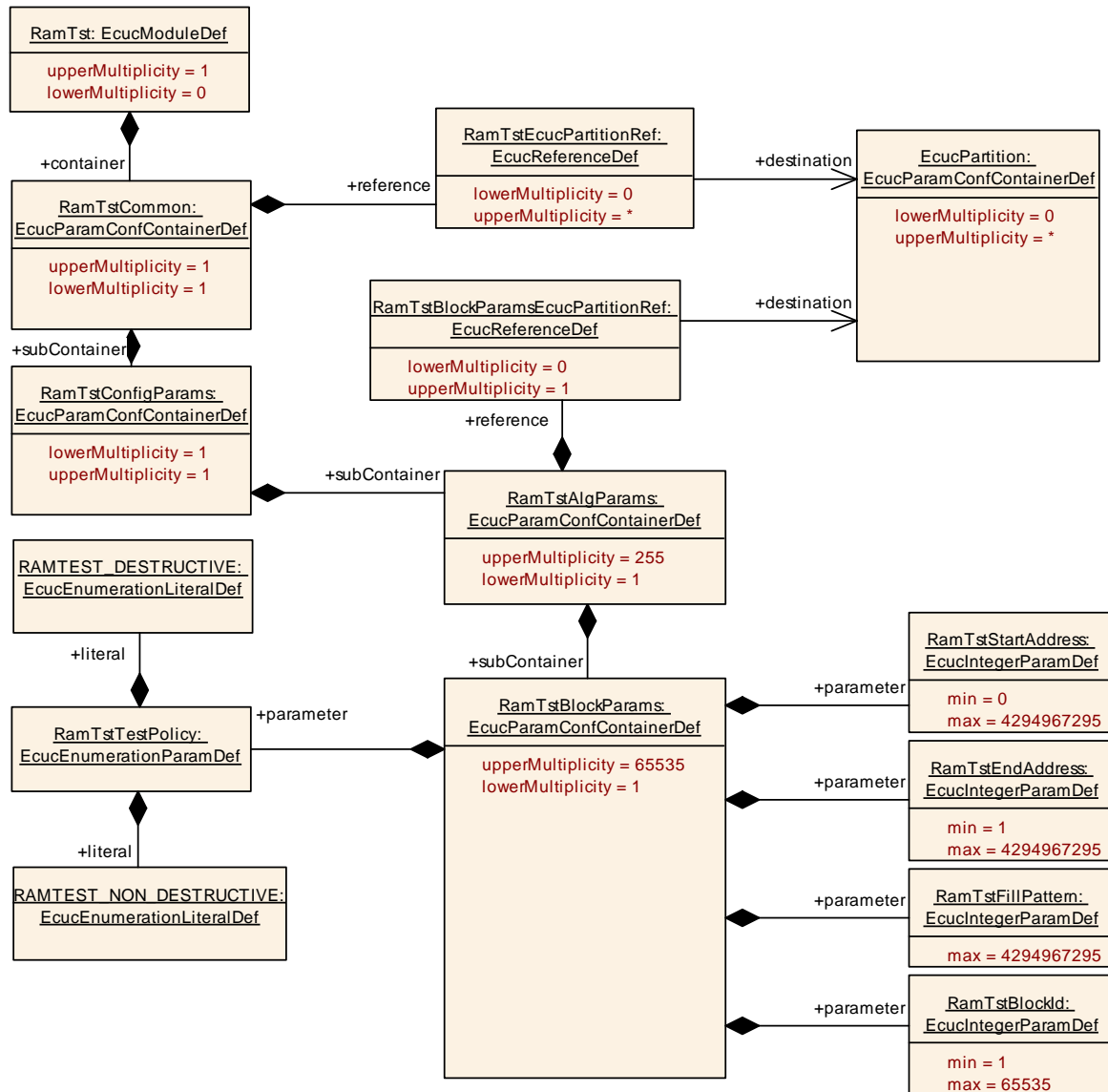


Figure 19: RamTstBlockParams

[SWS_RamTst_CONSTR_01017] 「 If RamTstEcucPartitionRef references one or more ECUC partitions, RamTstBlockParamsEcucPartitionRef shall have a multiplicity of one and reference one of these ECUC partitions as well. 」()

10.3 Published Parameters

For details refer to the chapter 10.3 “Published Information” in *SWS_BSWGeneral*.

10.3.1 RamTstPublishedInformation

SWS Item	[ECUC_RamTst_00186]
Container Name	RamTstPublishedInformation
Parent Container	RamTst
Description	Container holding all RamTst specific published information parameter.

Configuration Parameters

SWS Item	[ECUC_RamTst_00187]		
Parameter Name	RamTstCellSize		
Parent Container	RamTstPublishedInformation		
Description	Size of RAM cells (in bits) which can be tested individually by the given implementation.		
Multiplicity	1		
Type	EcucIntegerParamDef		
Range	1 .. 64		
Default value	--		
Post-Build Variant Value	false		
Value Configuration Class	Published Information	X	All Variants
Scope / Dependency	scope: local		

No Included Containers

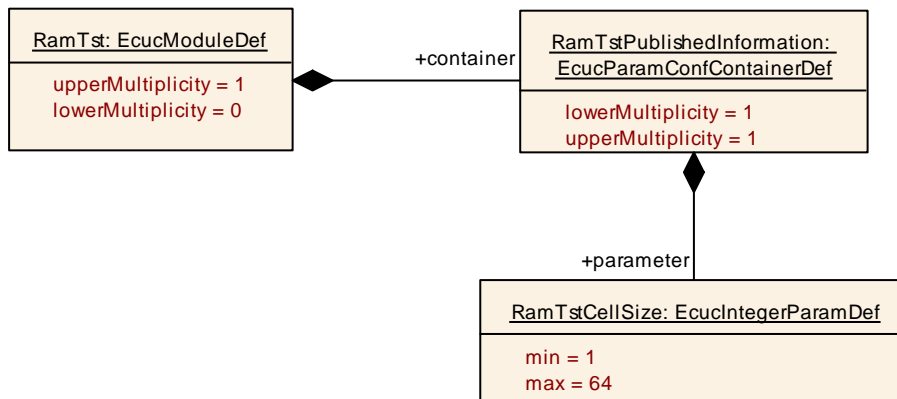


Figure 20: RamTstPublishedInformation

10.4 Implementation Specific Information and Parameters

[SWS_RamTst_00081] † The implementer shall provide measured or calculated runtime information in the documentation of the module for each algorithm implementation. The information is to be presented as shown in the following table, specifying whether the parameters are measured or calculated. †(SRS_BSW_00402)

Microcontroller	Frequency	RamCellSize [bit]:	No of cells/cycle	Average Runtime	Interrupt lock time	Internal used RAM
--	--	--	--	--	--	--

[SWS_RamTst_00205] † If an implementation of the RAM Test module supports vendor specific test algorithms or other additional configuration parameters, the implementer shall provide a formal vendor-specific definition of these parameters including their documentation (as part of the BSW Module Description). †()

11 Not applicable requirements

[SWS_RamTst_NA_00999] 「 These requirements are not applicable to this specification. 」 (SRS_BSW_00168, SRS_BSW_00170, SRS_BSW_00336, SRS_BSW_00375, SRS_BSW_00383, SRS_BSW_00386, SRS_BSW_00399, SRS_BSW_00400, SRS_BSW_00404, SRS_BSW_00405, SRS_BSW_00416, SRS_BSW_00417, SRS_BSW_00422, SRS_BSW_00423, SRS_BSW_00424, SRS_BSW_00425, SRS_BSW_00426, SRS_BSW_00428, SRS_BSW_00429, SRS_BSW_00432, SRS_BSW_00437, SRS_BSW_00438, SRS_BSW_00005, SRS_BSW_00006, SRS_BSW_00009, SRS_BSW_00010, SRS_BSW_00161, SRS_BSW_00162, SRS_BSW_00164, SRS_BSW_00172, SRS_BSW_00301, SRS_BSW_00302, SRS_BSW_00306, SRS_BSW_00308, SRS_BSW_00309, SRS_BSW_00312, SRS_BSW_00321, SRS_BSW_00328, SRS_BSW_00333, SRS_BSW_00341, SRS_BSW_00347, SRS_BSW_00353, SRS_BSW_00374, SRS_BSW_00378, SRS_BSW_00379, SRS_BSW_00413, SRS_BSW_00440, SRS_BSW_00441, SRS_BSW_00449, SRS_SPAL_12063, SRS_SPAL_12064, SRS_SPAL_12067, SRS_SPAL_12068, SRS_SPAL_12069, SRS_SPAL_12075, SRS_SPAL_12125, SRS_SPAL_12267, SRS_SPAL_12461, SRS_SPAL_12462, SRS_SPAL_12463, SRS_SPAL_12078, SRS_SPAL_12092, SRS_SPAL_12265)