

Document Title	Specification of Memory Access
Document Owner	AUTOSAR
Document Responsibility	AUTOSAR
Document Identification No	1017

Document Status	published
Part of AUTOSAR Standard	Classic Platform
Part of Standard Release	R22-11

Document Change History			
Date	Release	Changed by	Description
2022-11-24	R22-11	AUTOSAR Release Management	<ul style="list-style-type: none"> Renamed MemAcc_MemApiType in MemAcc_MemBinaryHeaderType Additional DET checks added Updated Configurable Interface chapter Corrected Service IDs Minor corrections and bugfixes Editorial changes
2021-11-25	R21-11	AUTOSAR Release Management	<ul style="list-style-type: none"> Initial release

Disclaimer

This work (specification and/or software implementation) and the material contained in it, as released by AUTOSAR, is for the purpose of information only. AUTOSAR and the companies that have contributed to it shall not be liable for any use of the work.

The material contained in this work is protected by copyright and other types of intellectual property rights. The commercial exploitation of the material contained in this work requires a license to such intellectual property rights.

This work may be utilized or reproduced without any modification, in any form or by any means, for informational purposes only. For any other purpose, no part of the work may be utilized or reproduced, in any form or by any means, without permission in writing from the publisher.

The work has been developed for automotive applications only. It has neither been developed, nor tested for non-automotive applications.

The word AUTOSAR and the AUTOSAR logo are registered trademarks.

Contents

1	Introduction and Functional Overview	7
1.1	Supported Use-Cases	8
2	Acronyms and Abbreviations	9
2.1	Physical Segmentation	10
3	Related Documentation	11
3.1	Input Documents & Related Standards and Norms	11
3.2	Related Specification	11
4	Constraints and Assumptions	12
4.1	Limitations	12
4.1.1	General Limitations	12
4.1.2	Memory Mapped Access	12
4.2	Applicability to Car Domains	12
5	Dependencies to Other Modules	13
6	Requirements Tracing	14
7	Functional Specification	19
7.1	Overview	19
7.2	Key Aspects	19
7.3	Functional Elements	19
7.3.1	Memory Address Translation	19
7.3.1.1	Memory Mapping Constraints	20
7.3.2	Memory Access Coordination	21
7.3.3	Job Management	21
7.3.4	Job Processing	22
7.3.4.1	Job Status	22
7.3.4.2	Job Result	22
7.3.5	Hardware Specific Services	23
7.3.6	Burst Mode Support	23
7.3.7	Generic Locking Mechanism	24
7.3.8	Dynamic Memory Driver Handling	24
7.3.8.1	Dynamic Memory Driver Activation	25
7.3.8.2	Service Invocation	25
7.4	Module Handling	25
7.4.1	Initialization	25
7.4.2	Scheduling	25
7.5	General Design Rules	26
7.5.1	Retry Mechanism	26
7.5.2	Address Alignment	26
7.5.3	64-Bit Support	27
7.6	Error Classification	27

7.6.1	Development Errors	27
7.6.2	Runtime Errors	27
7.6.3	Transient Faults	28
7.6.4	Production Errors	28
7.6.5	Extended Production Errors	28
8	API Specification	29
8.1	Imported Types	29
8.2	Type Definitions	29
8.2.1	MemAcc_AddressArealdType	29
8.2.2	MemAcc_AddressType	29
8.2.3	MemAcc_ConfigType	30
8.2.4	MemAcc_DataType	30
8.2.5	MemAcc_JobResultType	30
8.2.6	MemAcc_JobStatusType	31
8.2.7	MemAcc_JobType	31
8.2.8	MemAcc_LengthType	32
8.2.9	MemAcc_MemoryInfoType	32
8.2.10	MemAcc_JobInfoType	33
8.2.11	MemAcc_HwldType	34
8.2.12	MemAcc_MemBinaryHeaderType	34
8.2.13	MemAcc_MemAddressType	35
8.2.14	MemAcc_MemConfigType	36
8.2.15	MemAcc_MemDataType	36
8.2.16	MemAcc_MemInstanceIdType	36
8.2.17	MemAcc_MemJobResultType	36
8.2.18	MemAcc_MemLengthType	37
8.2.19	MemAcc_MemHwServiceIdType	37
8.2.20	MemAcc_MemInitFuncType	38
8.2.21	MemAcc_MemDelInitFuncType	38
8.2.22	MemAcc_MemGetJobResultFuncType	38
8.2.23	MemAcc_MemSuspendFuncType	39
8.2.24	MemAcc_MemResumeFuncType	39
8.2.25	MemAcc_MemPropagateErrorFuncType	40
8.2.26	MemAcc_MemReadFuncType	40
8.2.27	MemAcc_MemWriteFuncType	41
8.2.28	MemAcc_MemEraseFuncType	42
8.2.29	MemAcc_MemBlankCheckFuncType	42
8.2.30	MemAcc_MemHwSpecificServiceFuncType	43
8.2.31	MemAcc_MemMainFuncType	44
8.3	Function Definitions	44
8.3.1	Synchronous Functions	44
8.3.1.1	MemAcc_Init	44
8.3.1.2	MemAcc_DelInit	45
8.3.1.3	MemAcc_GetVersionInfo	45
8.3.1.4	MemAcc_GetJobResult	46

8.3.1.5	MemAcc_GetJobStatus	47
8.3.1.6	MemAcc_GetMemoryInfo	48
8.3.1.7	MemAcc_GetProcessedLength	49
8.3.1.8	MemAcc_GetJobInfo	50
8.3.1.9	MemAcc_ActivateMem	51
8.3.1.10	MemAcc_DeactivateMem	52
8.3.2	Asynchronous Functions	53
8.3.2.1	MemAcc_Cancel	53
8.3.2.2	MemAcc_Read	54
8.3.2.3	MemAcc_Write	55
8.3.2.4	MemAcc_Erase	56
8.3.2.5	MemAcc_Compare	57
8.3.2.6	MemAcc_BlankCheck	59
8.3.2.7	MemAcc_HwSpecificService	60
8.3.2.8	MemAcc_RequestLock	61
8.3.2.9	MemAcc_ReleaseLock	63
8.4	Callback Notifications	63
8.5	Scheduled Functions	64
8.5.1	MemAcc_MainFunction	64
8.6	Expected Interfaces	64
8.6.1	Mandatory Interfaces	64
8.6.2	Optional Interfaces	66
8.6.3	Configurable Interfaces	66
8.6.3.1	<AddressAreaJobEndNotification>	66
8.6.3.2	<ApplicationLockNotification>	67
8.7	Service Interfaces	67
9	Sequence Diagrams	68
9.1	Job Handling with Result Polling	68
9.2	Job Handling with Job End Notification	69
9.3	Mem Driver Initialization by MemAcc	69
9.4	Mem Driver Initialization by EcuM	70
9.5	Mem Driver Scheduling by MemAcc	71
9.6	Mem Driver Scheduling by SchM	72
9.7	Generic Lock Sequence	73
10	Configuration Specification	74
10.1	How to Read this Chapter	74
10.2	Containers and Configuration Parameters	74
10.2.1	MemAcc	75
10.2.2	MemAccAddressAreaConfiguration	79
10.2.3	MemAccSubAddressAreaConfiguration	81
10.3	Published Information	86

Known Limitations of the Current Document

1 Introduction and Functional Overview

This specification describes the functionality, API and the configuration for the AUTOSAR Basic Software module Memory Access (MemAcc).

The Memory Access module provides access to different memory technology devices by an address-based API.

The Memory Access module is always complemented by one or more Memory Driver (Mem). The Memory Access module is memory device technology agnostic and can be used with typical memory devices such as flash, EEPROM, RAM or phase change memory.

The Memory Access module and Memory Driver are located in the same layer of the AUTOSAR architecture as Fls and Eep Driver but split these modules into a hardware independent part (MemAcc) and a hardware dependent part (Mem).

Figure 1.1 shows an example architectural overview with different Memory Drivers and upper layers:

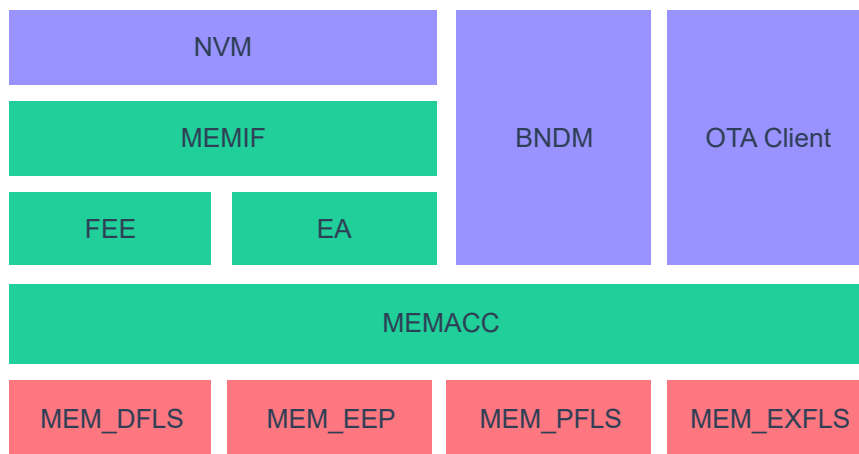


Figure 1.1: MemAcc Architecture Example

1.1 Supported Use-Cases

The combination of MemAcc module and Mem driver supports the following use cases:

- Block based non-volatile memory access for data storage using NvM and Fee or Ea
- OTA software update
- General address-based memory access, e.g. for BndM or flash bootloader usage

Combinations of these use cases are also supported.

Since MemAcc module and Mem driver also cover the Fls and Eep use cases for non-volatile data storage, Fls and Eep become obsolete for the future.

2 Acronyms and Abbreviations

The glossary below includes acronyms and abbreviations relevant to the MemAcc module that are not included in the [1, AUTOSAR glossary].

Abbreviation / Acronym	Description
BndM	Bulk Non-Volatile Data Manager
ECC	Error Correction Code
FOTA	Firmware Over The Air - remote firmware update using wireless communication
HSM	Hardware Security Module - dedicated security MCU core
OTA	Over The Air - general term for wireless communication between OEM backend and vehicle
RWW	Read While Write - capability of a memory device to perform a read operation in one memory bank while at the same time a write/erase operation takes place in another bank
SOTA	Software Over The Air - remote software update using wireless communication

Terms	Description
Address Area	Contiguous memory area in the logical address space Typically multiple physical memory sectors are combined to one logical address area.
Bank	Group of sector batches In case a memory technology is segmented in sectors, a bank is an instance of a sector batch group in which no read-while-write operation is permitted. In case of a flash memory device, this typically maps to an individual flash controller.
Job Request	Memory access request by an upper layer module for an address area.
Memory Device	Group of banks
Page Burst	Aggregated access of memory pages for improved performance In case a memory device technology has a physical segmentation, some memory devices provide an optimized access method to read or write multiple pages at a time. Page burst denotes the aggregation of memory pages used for the access optimization.
Read Page	Smallest readable unit of a memory device (in bytes) Some memory device technologies must be accessed considering a physical segmentation. Hence a byte-wise access is not possible for all memory device technologies. This term defines the minimum size that needs to be read in one access.
Sector	Smallest erasable memory unit (in bytes) Some memory device technologies require an explicit physical erase operation before the memory can be written. A sector defines the minimum size of such an erase unit. Depending on the memory device, sectors can be either uniform- or variable-sized.
Sector Batch	Aggregation of sectors with uniform size Logical aggregation of contiguous sectors with the same size.
Sector Burst	Aggregation of sectors for improved erase performance In case a memory technology needs a physical erase operation, some devices provide an erase performance optimization by erasing an aggregation of sectors in one step.

Terms	Description
Sub Address Area	Contiguous memory area in the logical address space mapped to a sector batch of one memory device.
Write Page	Smallest writeable unit of a memory device (in bytes) Some memory device technologies must be accessed considering a physical segmentation. Hence a byte-wise access is not possible for all memory device technologies. This term defines the minimum size that needs to be written in one access.

2.1 Physical Segmentation

Figure 2.1 gives an overview of the physical segmentation and the according technical terms:

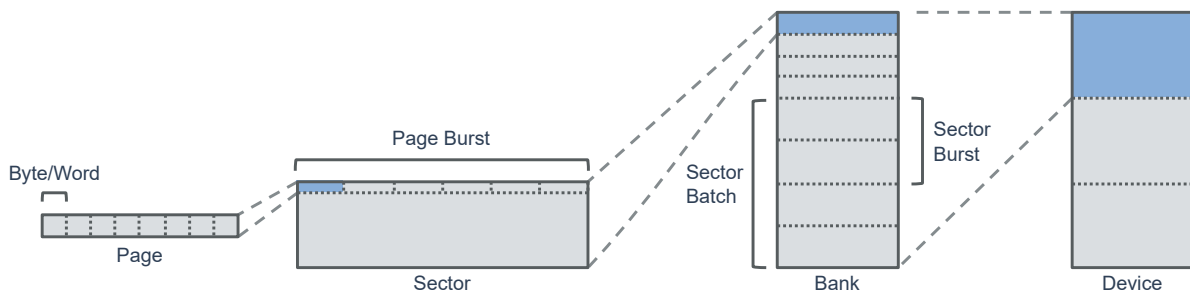


Figure 2.1: Overview of Physical Segmentation

3 Related Documentation

3.1 Input Documents & Related Standards and Norms

- [1] Glossary
AUTOSAR_TR_Glossary
- [2] General Specification of Basic Software Modules
AUTOSAR_SWS_BSWGeneral
- [3] Requirements on Memory Hardware Abstraction Layer
AUTOSAR_SRS_MemoryHWAbstractionLayer
- [4] General Requirements on Basic Software Modules
AUTOSAR_SRS_BSWGeneral
- [5] Requirements on AUTOSAR Features
AUTOSAR_RS_Features

3.2 Related Specification

AUTOSAR provides a General Specification on Basic Software modules [2, SWS BSW General], which is also valid for MemAcc.

Thus, the specification SWS BSW General shall be considered as additional and required specification for MemAcc.

4 Constraints and Assumptions

To be able to control and coordinate the access of shared memory resources, all memory upper layers shall use the MemAcc module to access these shared memory resources. The only exception to this constraint are exclusive memory accesses at discrete points in time.

4.1 Limitations

4.1.1 General Limitations

The MemAcc module is targeted for address based memory access. File based access is not considered.

Block based memory devices like NAND flash devices which require an explicit bad block management are out of scope of this specification.

4.1.2 Memory Mapped Access

It's not possible to perform a memory-mapped access on a shared memory resource while at the same time, the AUTOSAR memory stack performs an access on a shared memory resource.

This restriction applies to memory devices like flash or EEPROM where the memory must be put into a special programming mode in which a concurrent read access is not possible. This restriction applies to internal and external shared memory devices and also affects hardware-based flash EEPROM emulations.

In case a memory-mapped access is needed, MemAcc coordination must be implemented at the application level. The application must ensure that no concurrent access is performed on the shared memory.

4.2 Applicability to Car Domains

The MemAcc module can be used in any domain application that needs MemAcc to either store data or perform a software update.

5 Dependencies to Other Modules

The MemAcc module has interfaces towards the Flash EEPROM Emulation (Fee), the EEPROM Abstraction (Ea), Bulk Nv Data Manager (BndM), Memory Drivers (Mem), the Default Error Tracer (DET) and, in case of a OTA software update client, also to Complex Device Drivers (CDD).

The MemAcc module includes header files of DET and MemMap.

6 Requirements Tracing

The following tables reference the requirements specified in [3], [4] and [5] and links to the fulfillment of these. Please note that if column “Satisfied by” is empty for a specific requirement this means that this requirement is not fulfilled by this document.

Requirement	Description	Satisfied by
[RS_BRF_01000]	AUTOSAR architecture shall organize the BSW in a hardware independent and a hardware dependent layer	[SWS_MemAcc_00083]
[RS_BRF_01848]	AUTOSAR non-volatile memory functionality shall provide mechanisms to enhance hardware reliability	[SWS_MemAcc_00005] [SWS_MemAcc_00100]
[SRS_BSW_00003]	All software modules shall provide version and identification information	[SWS_MemAcc_10016]
[SRS_BSW_00004]	All Basic SW Modules shall perform a pre-processor check of the versions of all imported include files	[SWS_MemAcc_00002]
[SRS_BSW_00167]	All AUTOSAR Basic Software Modules shall provide configuration rules and constraints to enable plausibility checks	[SWS_MemAcc_00002]
[SRS_BSW_00323]	All AUTOSAR Basic Software Modules shall check passed API parameters for validity	[SWS_MemAcc_00002] [SWS_MemAcc_00027] [SWS_MemAcc_00031] [SWS_MemAcc_00034] [SWS_MemAcc_00036] [SWS_MemAcc_00037] [SWS_MemAcc_00039] [SWS_MemAcc_00041] [SWS_MemAcc_00042] [SWS_MemAcc_00044] [SWS_MemAcc_00045] [SWS_MemAcc_00046] [SWS_MemAcc_00047] [SWS_MemAcc_00049] [SWS_MemAcc_00050] [SWS_MemAcc_00051] [SWS_MemAcc_00052] [SWS_MemAcc_00054] [SWS_MemAcc_00055] [SWS_MemAcc_00056] [SWS_MemAcc_00058] [SWS_MemAcc_00059] [SWS_MemAcc_00060] [SWS_MemAcc_00061]

Requirement	Description	Satisfied by
		[SWS_MemAcc_00063] [SWS_MemAcc_00064] [SWS_MemAcc_00065] [SWS_MemAcc_00067] [SWS_MemAcc_00068] [SWS_MemAcc_00070] [SWS_MemAcc_00071] [SWS_MemAcc_00072] [SWS_MemAcc_00073] [SWS_MemAcc_00077] [SWS_MemAcc_00093] [SWS_MemAcc_00124]
[SRS_BSW_00327]	Error values naming convention	[SWS_MemAcc_10038]
[SRS_BSW_00337]	Classification of development errors	[SWS_MemAcc_10038]
[SRS_BSW_00386]	The BSW shall specify the configuration and conditions for detecting an error	[SWS_MemAcc_10038]
[SRS_BSW_00406]	A static status variable denoting if a BSW module is initialized shall be initialized with value 0 before any APIs of the BSW module is called	[SWS_MemAcc_00030] [SWS_MemAcc_00033] [SWS_MemAcc_00035] [SWS_MemAcc_00038] [SWS_MemAcc_00040] [SWS_MemAcc_00043] [SWS_MemAcc_00048] [SWS_MemAcc_00053] [SWS_MemAcc_00057] [SWS_MemAcc_00062] [SWS_MemAcc_00066] [SWS_MemAcc_00076] [SWS_MemAcc_00088] [SWS_MemAcc_00090] [SWS_MemAcc_00099] [SWS_MemAcc_00117]
[SRS_BSW_00414]	Init functions shall have a pointer to a configuration structure as single parameter	[SWS_MemAcc_10002] [SWS_MemAcc_91012]
[SRS_BSW_00415]	Interfaces which are provided exclusively for one module shall be separated into a dedicated header file	[SWS_MemAcc_10035] [SWS_MemAcc_10036]
[SRS_MemHwAb_ - 14031]	The FEE and EA modules shall provide a service that allows canceling an ongoing asynchronous operation	[SWS_MemAcc_00029] [SWS_MemAcc_00123]
[SRS_MemHwAb_ - 14034]	MemAcc module shall allow the configuration of the priority for different logical address areas	[SWS_MemAcc_00014] [SWS_MemAcc_00017] [SWS_MemAcc_00024]
[SRS_MemHwAb_ - 14035]	MemAcc module shall support variant mapping	[SWS_MemAcc_10015]
[SRS_MemHwAb_ - 14037]	MemAcc module and Mem driver shall provide an interface for initialization	[SWS_MemAcc_00025] [SWS_MemAcc_10015] [SWS_MemAcc_10041]

Requirement	Description	Satisfied by
[SRS_MemHwAb_-14038]	MemAcc module and Mem driver shall provide asynchronous memory access functions	[SWS_MemAcc_00028] [SWS_MemAcc_00076] [SWS_MemAcc_00115] [SWS_MemAcc_10018] [SWS_MemAcc_10023] [SWS_MemAcc_10024] [SWS_MemAcc_10025] [SWS_MemAcc_10026] [SWS_MemAcc_10027] [SWS_MemAcc_10028] [SWS_MemAcc_10030]
[SRS_MemHwAb_-14039]	MemAcc module and Mem driver shall support optional services	[SWS_MemAcc_10018] [SWS_MemAcc_10023] [SWS_MemAcc_10024] [SWS_MemAcc_10025] [SWS_MemAcc_10026] [SWS_MemAcc_10027] [SWS_MemAcc_10028] [SWS_MemAcc_10030]
[SRS_MemHwAb_-14040]	MemAcc module and Mem driver shall provide a synchronous status function	[SWS_MemAcc_00020] [SWS_MemAcc_00021] [SWS_MemAcc_00092] [SWS_MemAcc_00104] [SWS_MemAcc_00105] [SWS_MemAcc_00106] [SWS_MemAcc_00107] [SWS_MemAcc_00108] [SWS_MemAcc_00109] [SWS_MemAcc_00112] [SWS_MemAcc_00113] [SWS_MemAcc_00114] [SWS_MemAcc_00118] [SWS_MemAcc_00119] [SWS_MemAcc_00120] [SWS_MemAcc_10009] [SWS_MemAcc_10011] [SWS_MemAcc_10013] [SWS_MemAcc_10019] [SWS_MemAcc_10021] [SWS_MemAcc_10022] [SWS_MemAcc_10037] [SWS_MemAcc_10039] [SWS_MemAcc_10040] [SWS_MemAcc_91016]
[SRS_MemHwAb_-14041]	MemAcc module shall provide a job notification mechanism for the upper layer modules	[SWS_MemAcc_00015] [SWS_MemAcc_10029]
[SRS_MemHwAb_-14042]	MemAcc module shall support multiple Mem drivers for different types of memory	[SWS_MemAcc_00098] [SWS_MemAcc_10010]
[SRS_MemHwAb_-14043]	Mem driver and shall support multiple instances of the same memory device	[SWS_MemAcc_91011]

Requirement	Description	Satisfied by
[SRS_MemHwAb_ - 14044]	MemAcc module shall manage the memory job requests from different upper layer modules	[SWS_MemAcc_00006] [SWS_MemAcc_00007] [SWS_MemAcc_00008] [SWS_MemAcc_00028]
[SRS_MemHwAb_ - 14045]	MemAcc module and Mem driver shall provide measures for dynamic driver activation	[SWS_MemAcc_00085] [SWS_MemAcc_00089] [SWS_MemAcc_00121] [SWS_MemAcc_00122] [SWS_MemAcc_10014] [SWS_MemAcc_10033] [SWS_MemAcc_10034] [SWS_MemAcc_91000] [SWS_MemAcc_91001] [SWS_MemAcc_91002] [SWS_MemAcc_91003] [SWS_MemAcc_91004] [SWS_MemAcc_91005] [SWS_MemAcc_91006] [SWS_MemAcc_91007] [SWS_MemAcc_91008] [SWS_MemAcc_91009] [SWS_MemAcc_91010] [SWS_MemAcc_91018]
[SRS_MemHwAb_ - 14046]	MemAcc module and Mem driver shall provide support for 64-Bit address range	[SWS_MemAcc_00081] [SWS_MemAcc_00082] [SWS_MemAcc_10001] [SWS_MemAcc_10007] [SWS_MemAcc_91013] [SWS_MemAcc_91014]
[SRS_MemHwAb_ - 14047]	MemAcc module shall provide optional support for the initialization and main function triggering of memory drivers	[SWS_MemAcc_00025] [SWS_MemAcc_00084] [SWS_MemAcc_00111] [SWS_MemAcc_00121] [SWS_MemAcc_00122] [SWS_MemAcc_10017] [SWS_MemAcc_10033] [SWS_MemAcc_10034]
[SRS_MemHwAb_ - 14048]	Mem driver shall operate on physical segmentation/physical addresses	[SWS_MemAcc_00003] [SWS_MemAcc_00004] [SWS_MemAcc_00087] [SWS_MemAcc_00101] [SWS_MemAcc_00102]
[SRS_MemHwAb_ - 14049]	Mem driver shall use a standard binary format for dynamic driver activation	[SWS_MemAcc_00089]
[SRS_MemHwAb_ - 14051]	Mem driver shall not buffer data	[SWS_MemAcc_10004] [SWS_MemAcc_91020]
[SRS_MemHwAb_ - 14054]	MemAcc module shall provide a function to retrieve memory segmentation information	[SWS_MemAcc_10012] [SWS_MemAcc_10020]
[SRS_MemHwAb_ - 14055]	MemAcc module shall provide a lock function to enable/disable the direct memory access from application	[SWS_MemAcc_00116] [SWS_MemAcc_10030] [SWS_MemAcc_10031] [SWS_MemAcc_10032]

Requirement	Description	Satisfied by
[SRS_MemHwAb_14056]	MemAcc module and Mem driver shall provide a generic function to access the hardware specific functionalities	[SWS_MemAcc_10008] [SWS_MemAcc_10028]
[SRS_MemHwAb_14057]	MemAcc module shall allow the configuration of the non-contiguous physical memory areas of different memory devices to a logical address area	[SWS_MemAcc_00012] [SWS_MemAcc_00018] [SWS_MemAcc_00078] [SWS_MemAcc_00079] [SWS_MemAcc_00080] [SWS_MemAcc_10000]

7 Functional Specification

This chapter defines the behavior of the MemAcc module.
The API of the module is defined in chapter 8, while the configuration is defined in 10.

7.1 Overview

The MemAcc module provides a memory device agnostic address-based memory access for different upper layers modules. It implements all high level functionality like job management, access coordination and allocation of Memory Driver access requests according to the physical segmentation as the Memory Drivers expect all memory accesses aligned to physical segments.

7.2 Key Aspects

- Access coordination of different upper layers like Fee, Ea and OTA software update client
- Memory technology device agnostic API supporting all kinds of memories including code memories
- Coordination of CPU cores like host- and HSM core
- Memory access job management
- Virtualization of memory areas to support mapping of non-contiguous areas as well as spanning areas across different memory devices
- Mapping of memory locations to memory devices
- Splitting of Memory Driver access requests according to physical segments like pages and sectors for flash memories

7.3 Functional Elements

7.3.1 Memory Address Translation

The MemAcc module abstracts the physical memory addressing scheme of the Mem driver to the upper layer by means of a logical address space.

Figure 7.1 provides an overview of the memory address translation/mapping scheme:

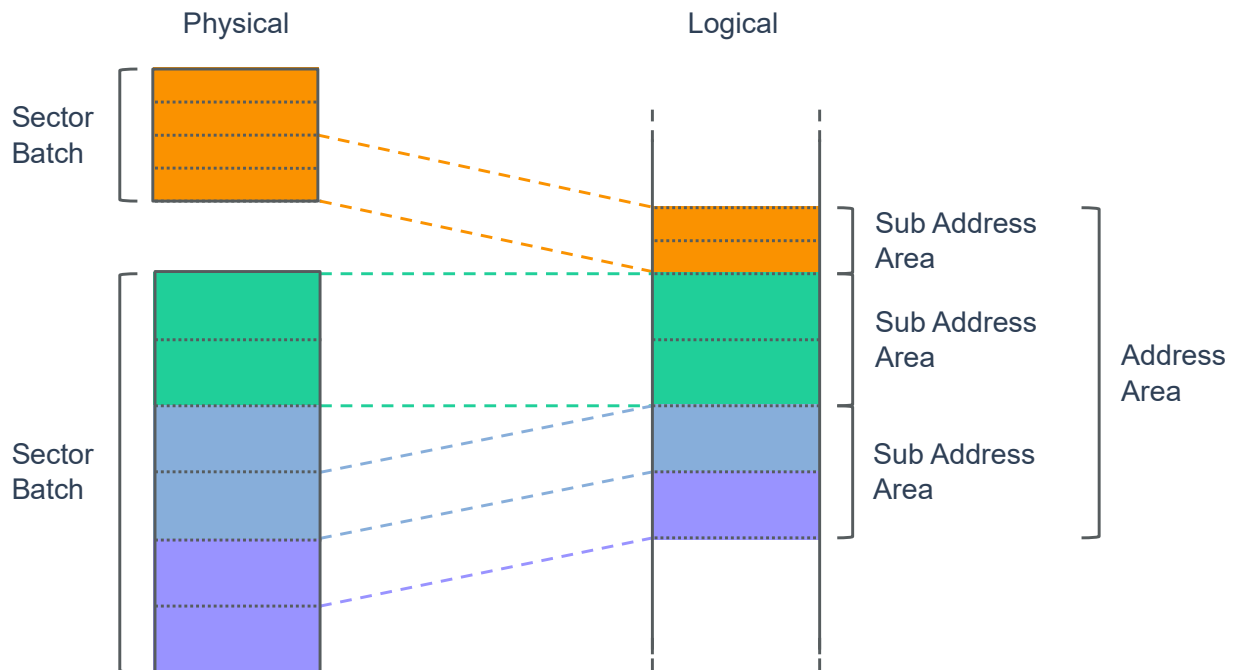


Figure 7.1: Overview Memory Address Translation Scheme

[SWS_MemAcc_00012] [All MemAcc services, i.e. erase, read and write, shall support access requests which cross memory device boundaries based on the logical/-physical memory mapping.] ([SRS_MemHwAb_14057](#))

7.3.1.1 Memory Mapping Constraints

[SWS_MemAcc_00078] [An address area shall only be assigned to one upper layer module.] ([SRS_MemHwAb_14057](#))

Note: Since only one memory job is allowed per address area, there's a 1:1 relation between address area and upper layer.

[SWS_MemAcc_00079] [Within a sub-address area, only a uniform sector size is allowed.] ([SRS_MemHwAb_14057](#))

Note: A sub-address area maps to a sector batch.

[SWS_MemAcc_00080] [Start address and length of address areas shall be aligned to the physical sectors.] ([SRS_MemHwAb_14057](#))

Note: Start address and length of memory accesses have to be aligned to the physical segmentation.

7.3.2 Memory Access Coordination

[SWS_MemAcc_00006] [The MemAcc module shall coordinate conflicting memory accesses by multiple upper layers.] ([SRS_MemHwAb_14044](#))

Note: Typically, code- and data flash share the same flash controller and therefore it's not possible to perform a write access at the same time. Since code- and data flash write access might happen at the same time for the software update use case, MemAcc needs to coordinate these accesses.

[SWS_MemAcc_00007]{DRAFT} [The MemAcc module shall only coordinate conflicting resource accesses. The access dependencies shall be configurable in the configuration tool.] ([SRS_MemHwAb_14044](#))

Note: Only relevant resource conflicts shall be coordinated to prevent any performance impact.

[SWS_MemAcc_00008] [The MemAcc module shall support multiple memory access requests from different upper layers for distinct memory areas at the same time. In case there is a hardware resource conflict, the memory stack shall still accept the access request and process it once the resource is free.] ([SRS_MemHwAb_14044](#))

Note: The AUTOSAR BSW upper layers shall not have to deal with any retry mechanisms as this would affect every upper layer.

7.3.3 Job Management

In general, all MemAcc services that need a significant amount of time to process an operation are defined as asynchronous services. Therefore, MemAcc job requests get only queued by the asynchronous services like [MemAcc_Read](#) and the processing of the queued jobs happen in the [MemAcc_MainFunction](#).

[SWS_MemAcc_00018] [The MemAcc module shall allow only one job request per address area.] ([SRS_MemHwAb_14057](#))

Note: Simplification of job management since one address area can only have one upper layer and job request are typically requested sequentially from the upper layer.

[SWS_MemAcc_00014] [Based on [MemAccAddressAreaPriority](#), MemAcc shall prioritize memory access requests from AUTOSAR BSW upper layer modules.] ([SRS_MemHwAb_14034](#))

Note: Writing crash non-volatile data shall have priority over background software update tasks.

[SWS_MemAcc_00024] [The prioritization of memory operations shall use the `Mem_Suspend` and `Mem_Resume` service if the memory hardware supports this functionality.

If the memory hardware does not support a suspend/resume functionality, the prioritization shall be implemented on a page/page burst, respectively sector/sector burst basis.]([SRS_MemHwAb_14034](#))

7.3.4 Job Processing

[SWS_MemAcc_00015] [If a job end notification function is configured by `MemAcc_cJobEndNotificationName`, `MemAcc` shall notify the upper layer BSW module by calling the configured notification function.]([SRS_MemHwAb_14041](#))

Note: In case no notification function is configured, the upper layer BSW module has to poll the `MemAcc` job status.

[SWS_MemAcc_00017] [If the `MemAcc` module is not able to process a job request, e.g. due to a pending request on the same address area or due to an invalid parameter, the job request shall be rejected by an `E_NOT_OK` return code.]([SRS_MemHwAb_14034](#))

7.3.4.1 Job Status

The `MemAcc` module provides the current job processing status information via the `MemAcc_GetJobStatus` service.

[SWS_MemAcc_00113] [After initialization via the `MemAcc_Init` service, the job processing status shall be set to `MEMACC_JOB_IDLE`.]([SRS_MemHwAb_14040](#))

[SWS_MemAcc_00104] [In case the job processing was completed or no job is currently pending, the job processing status shall be set to `MEMACC_JOB_IDLE`.]([SRS_MemHwAb_14040](#))

[SWS_MemAcc_00020] [Once a job request was accepted, the job processing status shall be set to `MEMACC_JOB_PENDING`.]([SRS_MemHwAb_14040](#))

7.3.4.2 Job Result

The results of the last `MemAcc` job is provided by the `MemAcc_GetJobResult` service. It can be used by upper layer modules to retrieve detailed information for fine-tuned fault handling.

[SWS_MemAcc_00112] [After initialization via the [MemAcc_Init](#) service, the job result shall be set to `MEMACC_MEM_OK.`]([SRS_MemHwAb_14040](#))

[SWS_MemAcc_00105] [In case the job processing was completed successfully, the job result shall be set to `MEMACC_MEM_OK.`]([SRS_MemHwAb_14040](#))

[SWS_MemAcc_00106] [In case the job processing was completed but the results of the last MemAcc job didn't meet the expected result, e.g. a blank check operation was applied on a non-blank memory area, the job result shall be set to `MEMACC_MEM_INCONSISTENT.`]([SRS_MemHwAb_14040](#))

[SWS_MemAcc_00107] [In case the last memory operation was completed but the ECC circuit corrected an ECC error, the job result shall be set to `MEMACC_MEM_ECC_CORRECTED.`]([SRS_MemHwAb_14040](#))

[SWS_MemAcc_00108] [In case the last memory operation didn't complete due to an uncorrectable ECC error, the job result shall be set to `MEMACC_MEM_ECC_UNCORRECTED.`]([SRS_MemHwAb_14040](#))

[SWS_MemAcc_00021] [In case the last memory operation was canceled, the job result shall be set to `MEMACC_MEM_CANCELED.`]([SRS_MemHwAb_14040](#))

[SWS_MemAcc_00109] [In case the memory operation was not successfully completed for any other reason, the job result shall be set to `MEMACC_MEM_FAILED.`]([SRS_MemHwAb_14040](#))

7.3.5 Hardware Specific Services

To support memory device specific services, the MemAcc module provides a generic API to call hardware specific Mem driver services - see [MemAcc_HwSpecificService](#).

Each Mem driver can have multiple hardware specific services which are selected by the `hwServiceId` parameter.

Note: By providing a generic API for hardware specific services, the MemAcc module can be kept hardware independent.

7.3.6 Burst Mode Support

Some Mem drivers can provide burst capabilities, i.e. instead of writing/erasing one smallest possible unit, several of these units are written/erased at once to increase

performance. Depending on the hardware capabilities, a Mem driver might offer three kinds of burst modes:

- Erase multiple sectors
- Read multiple pages
- Write multiple pages

[SWS_MemAcc_00087] [If enabled by [MemAccUseEraseBurst](#), MemAcc shall align and split the Mem driver erase requests according to the erase burst size of the Mem driver.]([SRS_MemHwAb_14048](#))

[SWS_MemAcc_00101] [If enabled by [MemAccUseReadBurst](#), MemAcc shall align and split the Mem driver read requests according to the read burst size of the Mem driver.]([SRS_MemHwAb_14048](#))

[SWS_MemAcc_00102] [If enabled by [MemAccUseWriteBurst](#), MemAcc shall align and split the Mem driver write requests according to the write burst size of the Mem driver.]([SRS_MemHwAb_14048](#))

Note: Enabling burst mode also increases the latency when a job shall be processed with a higher priority. Therefore, system integrators have to consider the maximum latency when configuring the burst modes.

7.3.7 Generic Locking Mechanism

To support upper layers like the BndM, the MemAcc module provides a generic lock API which can be used to restrict the memory access by a certain Mem driver, e.g., if an upper layer wants to do a direct memory mapped access.

Figure 9.7 shows an example lock/unlock sequence.

Note: The application or upper layer module has to maintain the lock state and release the lock once the direct memory access was completed. For the sake of simplicity, nested locks are not supported.

7.3.8 Dynamic Memory Driver Handling

For some safety-relevant use cases, it is not desirable for the Mem driver to be permanently available in an executable form, e.g. to prevent accidental overwriting of memory areas. For these use cases, the Mem driver is compiled as a separate binary which contains a function pointer table to expose the Mem driver service functions to the MemAcc module and the MemAcc module calls the Mem driver service functions indirectly using the Mem driver function pointer table.

7.3.8.1 Dynamic Memory Driver Activation

For the dynamic memory driver activation, the upper layer module has to ensure that the Mem driver binary is available for execution, e.g. downloaded to RAM and initialized before any MemAcc job is requested for the according address area.

7.3.8.2 Service Invocation

[SWS_MemAcc_00085] [If enabled by [MemAccUseMemFuncPtrTable](#), MemAcc shall call the Mem driver service functions via the Mem driver function pointer table. Otherwise the MemAcc shall directly call the Mem driver service functions.]([SRS_MemHwAb_14045](#))

7.4 Module Handling

7.4.1 Initialization

The MemAcc module is initialized via [MemAcc_Init](#). Except for [MemAcc_GetVersionInfo](#) and [MemAcc_Init](#), the API functions of the MemAcc module may only be called after the module has been properly initialized.

Depending on the [MemAccMemInvocation](#) attribute, MemAcc can also initialize the Mem driver's individual initialization functions.

Figure 9.3 shows the Mem driver initialization via MemAcc while figure 9.4 shows the Mem driver initialization via EcuM.

7.4.2 Scheduling

Since most of the MemAcc module services are asynchronous services, the [MemAcc_MainFunction](#) needs to be cyclically triggered.

Depending on the [MemAccMemInvocation](#) attribute, MemAcc can call all Mem main functions within [MemAcc_MainFunction](#).

Note: In case Mem drivers shall be dynamically activated, the scheduling of the Mem driver main functions cannot be done via the SchM. Therefore, the MemAcc module has to take care of the main function triggering depending on the individual Mem driver state.

Figure 9.5 shows the Mem main function triggering via MemAcc while figure 9.6 shows the Mem main function triggering via SchM.

7.5 General Design Rules

[SWS_MemAcc_00083] [The MemAcc module implementation shall be hardware independent.] ([RS_BRF_01000](#))

Note: The MemAcc module will be used with different kinds of Mem drivers, e.g., for internal and external memory devices. Thus, MemAcc has to be completely hardware independent.

[SWS_MemAcc_00098] [The MemAcc module implementation shall support multiple Mem drivers.] ([SRS_MemHwAb_14042](#))

[SWS_MemAcc_00002] [The MemAcc module shall check static configuration parameters statically (at the latest during compile time) for correctness.] ([SRS_BSW_00323](#), [SRS_BSW_00167](#), [SRS_BSW_00004](#))

7.5.1 Retry Mechanism

[SWS_MemAcc_00005] [If `MemAccNumberOfEraseRetries` is set to a value > 0, MemAcc shall retry the Mem driver erase operation according to the configured value if the Mem driver erase operation resulted in `MEM_JOB_FAILED`.] ([RS_BRF_01848](#))

[SWS_MemAcc_00100] [If `MemAccNumberOfWriteRetries` is set to a value > 0, MemAcc shall retry the Mem driver write operation according to the configured value if the Mem driver write operation resulted in `MEM_JOB_FAILED`.] ([RS_BRF_01848](#))

Note: Upper layers shall not have to deal with transient memory write/erase issues. The retry mechanism strongly depends on the underlying memory technology/devices types. Not all memory devices support a write retry.

7.5.2 Address Alignment

The MemAcc module does not perform any kind of buffer alignment. Therefore, the buffers provided by the upper layers need to consider already the alignment requirements defined by the `MemAccBufferAlignmentValue` attribute.

`MemAccBufferAlignmentValue` must be configured to the least common multiple value needed by the underlying Mem drivers. The same applies to the write page requirements.

[SWS_MemAcc_00003] [The MemAcc module shall split memory access requests for the Mem driver layer according to page/page burst, respectively sector/sector burst sizes.] ([SRS_MemHwAb_14048](#))

Note: Mem driver expects request aligned to the physical segmentation.

[SWS_MemAcc_00004] [In case the start address or the length of a memory request is not aligned to the physical segmentation of the respective memory device, MemAcc shall reject such job requests with E_NOT_OK.] ([SRS_MemHwAb_14048](#))

Note: Memory requests must be aligned to the physical memory segmentation.

7.5.3 64-Bit Support

[SWS_MemAcc_00081] [The MemAcc module shall support address areas larger than 4GBytes, thus MemAcc_AddressType and MemAcc_LengthType shall be defined as a 64-Bit types in case the address area configuration of one address area exceeds 4GBytes.] ([SRS_MemHwAb_14046](#))

[SWS_MemAcc_00082] [If all address areas don't exceed 4GBytes, MemAcc_AddressType and MemAcc_LengthType shall be defined as a 32-Bit types.] ([SRS_MemHwAb_14046](#))

Note: Avoid unnecessary overhead due to 64-Bit types.

7.6 Error Classification

7.6.1 Development Errors

[SWS_MemAcc_10038] [

Type of error	Related error code	Error value
API service called without module initialization	MEMACC_E_UNINIT	0x01
API service called with NULL pointer argument	MEMACC_E_PARAM_POINTER	0x02
API service called with wrong address area ID	MEMACC_E_PARAM_ADDRESS_AREA_ID	0x03
API service called with address and length not belonging to the passed address area ID	MEMACC_E_PARAM_ADDRESS_LENGTH	0x04
API service called with a hardware ID not belonging to the passed address area ID	MEMACC_E_PARAM_HW_ID	0x05
API service called for an address area ID with a pending job request	MEMACC_E_BUSY	0x06
Dynamic MEM driver activation failed due to inconsistent MEM driver binary	MEMACC_E_MEM_INIT_FAILED	0x07

] ([SRS_BSW_00337](#), [SRS_BSW_00386](#), [SRS_BSW_00327](#))

7.6.2 Runtime Errors

There are no runtime errors.

7.6.3 Transient Faults

There are no transient faults.

7.6.4 Production Errors

There are no production errors.

7.6.5 Extended Production Errors

There are no extended production errors.

8 API Specification

8.1 Imported Types

In this chapter all types included from the following files are listed.

[SWS_MemAcc_10037] [

<i>Module</i>	<i>Header File</i>	<i>Imported Type</i>
Mem	Mem.h	Mem_AddressType
	Mem.h	Mem_ConfigType
	Mem.h	Mem_DataType
	Mem.h	Mem_HwServiceIdType
	Mem.h	Mem_InstanceIdType
	Mem.h	Mem_JobResultType
	Mem.h	Mem_LengthType
Std	Std_Types.h	Std_ReturnType
	Std_Types.h	Std_VersionInfoType

]([SRS_MemHwAb_14040](#))

8.2 Type Definitions

8.2.1 MemAcc_AddressAreaIdType

[SWS_MemAcc_10000] [

Name	MemAcc_AddressAreaIdType
Kind	Type
Derived from	uint16
Description	Unique address area ID type.
Available via	MemAcc_GeneralTypes.h

]([SRS_MemHwAb_14057](#))

8.2.2 MemAcc_AddressType

[SWS_MemAcc_10001] [

Name	MemAcc_AddressType	
Kind	Type	
Derived from	Basetype	Variation
	uint32	–





	uint64	-
Description	Logical memory address type.	
Available via	MemAcc_GeneralTypes.h	

]([SRS_MemHwAb_14046](#))

8.2.3 MemAcc_ConfigType

[SWS_MemAcc_10002] [

Name	MemAcc_ConfigType
Kind	Structure
Description	Postbuild configuration structure type.
Available via	MemAcc_GeneralTypes.h

]([SRS_BSW_00414](#))

8.2.4 MemAcc_DataType

[SWS_MemAcc_10004] [

Name	MemAcc_DataType
Kind	Type
Derived from	uint8
Description	General data type.
Available via	MemAcc_GeneralTypes.h

]([SRS_MemHwAb_14051](#))

8.2.5 MemAcc_JobResultType

[SWS_MemAcc_10039] [

Name	MemAcc_JobResultType		
Kind	Enumeration		
Range	MEMACC_MEM_OK	0x00	The last MemAcc job was finished successfully
	MEMACC_MEM_FAILED	0x01	The last MemAcc job resulted in an unspecific failure and the job was not completed
	MEMACC_MEM_INCONSISTENT	0x02	The results of the last MemAcc job didn't meet the expected result, e.g. a blank check operation was applied on a non-blank memory area



△

	MEMACC_MEM_CANCELED	0x03	The last MemAcc job was canceled
	MEMACC_MEM_ECC_UNCORRECTED	0x04	The last memory operation returned an uncorrectable ECC error
	MEMACC_MEM_ECC_CORRECTED	0x05	The last memory operation returned a correctable ECC error
Description	Asynchronous job result type.		
Available via	MemAcc_GeneralTypes.h		

] ([SRS_MemHwAb_14040](#))

8.2.6 MemAcc_JobStatusType

[SWS_MemAcc_10009] [

Name	MemAcc_JobStatusType		
Kind	Enumeration		
Range	MEMACC_JOB_IDLE	0x00	Job processing was completed or no job currently pending
	MEMACC_JOB_PENDING	0x01	A job is currently being processed
Description	Asynchronous job status type.		
Available via	MemAcc_GeneralTypes.h		

] ([SRS_MemHwAb_14040](#))

8.2.7 MemAcc_JobType

[SWS_MemAcc_10011] [

Name	MemAcc_JobType		
Kind	Enumeration		
Range	MEMACC_NO_JOB	0x00	No job currently pending
	MEMACC_WRITE_JOB	0x01	Write job pending
	MEMACC_READ_JOB	0x02	Read job pending
	MEMACC_COMPARE_JOB	0x03	Compare job pending
	MEMACC_ERASE_JOB	0x04	Erase job pending
	MEMACC_MEMHWSPECIFIC_JOB	0x05	Hardware specific job pending
	MEMACC_BLANKCHECK_JOB	0x06	Blank check job pending
	MEMACC_REQUESTLOCK_JOB	0x07	Request lock job pending
Description	Type for asynchronous jobs.		
Available via	MemAcc_GeneralTypes.h		

] ([SRS_MemHwAb_14040](#))

8.2.8 MemAcc_LengthType

[SWS_MemAcc_10007] [

Name	MemAcc_LengthType	
Kind	Type	
Derived from	Basetype	Variation
	uint32	–
	uint64	–
Description	Job length type.	
Available via	MemAcc_GeneralTypes.h	

]([SRS_MemHwAb_14046](#))

8.2.9 MemAcc_MemoryInfoType

[SWS_MemAcc_10012]{DRAFT} [

Name	MemAcc_MemoryInfoType (draft)	
Kind	Structure	
Elements	LogicalStartAddress	
	Type	MemAcc_AddressType
	Comment	Logical start address of sub address area
	PhysicalStartAddress	
	Type	MemAcc_AddressType
	Comment	Physical start address of sub address area
	MaxOffset	
	Type	MemAcc_LengthType
	Comment	Size of sub address area in bytes -1
	EraseSectorSize	
	Type	uint32
	Comment	Size of a sector in bytes
	EraseSectorBurstSize	
	Type	uint32
	Comment	Size of a sector burst in bytes. Equals SectorSize in case burst is disabled
	ReadPageSize	
	Type	uint32
	Comment	Read size of a page in bytes
	WritePageSize	
	Type	uint32
Comment	Write size of a page in bytes	
ReadPageBurstSize		
Type	uint32	





	Comment	Size of a read page burst in bytes. Equals ReadPageSize in case burst is disabled
	WritePageBurstSize	
	Type	uint32
	Comment	Size of a page burst in bytes. Equals WritePageSize in case burst is disabled
	Hwld	
	Type	uint32
	Comment	Referenced memory driver hardware identifier
Description	This structure contains information of Mem device characteristics. It can be accessed via the MemAcc_GetMemoryInfo() service. Tags: atp.Status=draft	
Available via	MemAcc_GeneralTypes.h	

]([SRS_MemHwAb_14054](#))

8.2.10 MemAcc_JobInfoType

[SWS_MemAcc_10013] [

Name	MemAcc_JobInfoType	
Kind	Structure	
Elements	LogicalAddress	
	Type	MemAcc_AddressType
	Comment	Address of currently active address area request
	Length	
	Type	MemAcc_LengthType
	Comment	Length of the currently active address area request
	Hwld	
	Type	MemAcc_HwldType
	Comment	Referenced memory driver hardware identifier
	MemInstanceld	
	Type	uint32
	Comment	Instance ID of the current memory request
	MemAddress	
	Type	uint32
	Comment	Physical address of the current memory driver request
	MemLength	
	Type	uint32
	Comment	Length of memory driver request
	CurrentJob	
	Type	MemAcc_JobType
Comment	Currently active MemAcc job	
MemResult		
Type	MemAcc_JobResultType	





	Comment	Current or last Mem driver result
Description	This structure contains information the current processing state of the MemAcc module.	
Available via	MemAcc_GeneralTypes.h	

]([SRS_MemHwAb_14040](#))

8.2.11 MemAcc_HwIdType

[SWS_MemAcc_10010] [

Name	MemAcc_HwIdType		
Kind	Enumeration		
Range	0 - 4294967295	–	The name of each enum parameter is constructed from the Mem module name and the Mem instance name
Description	Type for the unique numeric identifiers of all Mem hardware instances used for hardware specific requests.		
Available via	MemAcc_GeneralTypes.h		

]([SRS_MemHwAb_14042](#))

8.2.12 MemAcc_MemBinaryHeaderType

[SWS_MemAcc_10014]{DRAFT} [

Name	MemAcc_MemBinaryHeaderType (draft)		
Kind	Structure		
Elements	Uniqueld		
	Type	uint64	
	Comment	Unique ID	
	Flags		
	Type	uint64	
	Comment	Header flags	
	Header		
	Type	uint64	
	Comment	Address of Mem driver header structure	
	Delimiter		
	Type	uint64	
	Comment	Address of Mem driver delimiter field	
	InitFunc		
	Type	MemAcc_MemInitFuncType*	
	Comment	Mem_Init function pointer	
	MainFunc		
Type	MemAcc_MemMainFuncType*		





	Comment	Mem_Main function pointer
	GetJobResultFunc	
	Type	MemAcc_MemGetJobResultFuncType*
	Comment	Mem_GetJobResult function pointer
	ReadFunc	
	Type	MemAcc_MemReadFuncType*
	Comment	Mem_Read function pointer
	WriteFunc	
	Type	MemAcc_MemWriteFuncType*
	Comment	Mem_Write function pointer
	EraseFunc	
	Type	MemAcc_MemEraseFuncType*
	Comment	Mem_Erase function pointer
	PropagateErrorFunc	
	Type	MemAcc_MemPropagateErrorFuncType*
	Comment	Mem_PropagateError function pointer
	BlankCheckFunc	
	Type	MemAcc_MemBlankCheckFuncType*
	Comment	Mem_BlankCheck function pointer
	SuspendFunc	
	Type	MemAcc_MemSuspendFuncType*
	Comment	Mem_Suspend function pointer
	ResumeFunc	
	Type	MemAcc_MemResumeFuncType*
	Comment	Mem_Resume function pointer
	HwSpecificServiceFunc	
	Type	MemAcc_MemHwSpecificServiceFuncType*
	Comment	Hardware specific service function pointer
Description	This structure contains elements for accessing the Mem driver service functions and consistency information. Tags: atp.Status=draft	
Available via	MemAcc_MemApi.h	

]([SRS_MemHwAb_14045](#))

8.2.13 MemAcc_MemAddressType

[SWS_MemAcc_91013] [

Name	MemAcc_MemAddressType
Kind	Type
Derived from	MemAcc_AddressType
Description	Physical memory device address type
Available via	MemAcc_MemApi.h

]([SRS_MemHwAb_14046](#))

8.2.14 MemAcc_MemConfigType

[SWS_MemAcc_91012] [

Name	MemAcc_MemConfigType
Kind	Structure
Description	Memory driver configuration structure type
Available via	MemAcc_MemApi.h

]([SRS_BSW_00414](#))

8.2.15 MemAcc_MemDataType

[SWS_MemAcc_91020] [

Name	MemAcc_MemDataType
Kind	Type
Derived from	uint8
Description	General data type
Available via	MemAcc_MemApi.h

]([SRS_MemHwAb_14051](#))

8.2.16 MemAcc_MemInstanceldType

[SWS_MemAcc_91011] [

Name	MemAcc_MemInstanceldType
Kind	Type
Derived from	uint32
Description	Memory driver instance ID type
Available via	MemAcc_MemApi.h

]([SRS_MemHwAb_14043](#))

8.2.17 MemAcc_MemJobResultType

[SWS_MemAcc_91016] [

Name	MemAcc_MemJobResultType		
Kind	Enumeration		
Range	MEM_JOB_OK	0x00	The last job has been finished successfully
	MEM_JOB_PENDING	0x01	A job is currently being processed



△

	MEM_JOB_FAILED	0x02	Job failed for some unspecific reason
	MEM_INCONSISTENT	0x03	The checked page is not blank
	MEM_ECC_UNCORRECTED	0x04	Uncorrectable ECC errors occurred during memory access
	MEM_ECC_CORRECTED	0x05	Correctable ECC errors occurred during memory access
Description	Asynchronous job result type		
Available via	MemAcc_MemApi.h		

]([SRS_MemHwAb_14040](#))

8.2.18 MemAcc_MemLengthType

[SWS_MemAcc_91014] [

Name	MemAcc_MemLengthType
Kind	Type
Derived from	uint32
Description	Physical memory device length type
Available via	MemAcc_MemApi.h

]([SRS_MemHwAb_14046](#))

8.2.19 MemAcc_MemHwServiceIdType

[SWS_MemAcc_10008] [

Name	MemAcc_MemHwServiceIdType
Kind	Type
Derived from	uint32
Description	Index type for Mem driver hardware specific service table.
Available via	MemAcc_MemApi.h

]([SRS_MemHwAb_14056](#))

8.2.20 MemAcc_MemInitFuncType

[SWS_MemAcc_91000] [

Name	MemAcc_MemInitFuncType	
Kind	Function Pointer	
Syntax	<pre>void (*MemAcc_MemInitFuncType) (MemAcc_MemConfigType* configPtr)</pre>	
Parameters (in)	configPtr	Pointer to the Mem driver configuration data structure.
Parameters (inout)	None	
Parameters (out)	None	
Return value	None	
Description	Function pointer for the Mem_Init service for the invocation of the Mem driver API via function pointer interface.	
Available via	MemAcc_MemApi.h	

]([SRS_MemHwAb_14045](#))

8.2.21 MemAcc_MemDeInitFuncType

[SWS_MemAcc_91018] [

Name	MemAcc_MemDeInitFuncType	
Kind	Function Pointer	
Syntax	<pre>void (*MemAcc_MemDeInitFuncType) (void)</pre>	
Parameters (in)	None	
Parameters (inout)	None	
Parameters (out)	None	
Return value	None	
Description	Function pointer for the Mem_DeInit service for the invocation of the Mem driver API via function pointer interface.	
Available via	MemAcc_MemApi.h	

]([SRS_MemHwAb_14045](#))

8.2.22 MemAcc_MemGetJobResultFuncType

[SWS_MemAcc_91002] [

Name	MemAcc_MemGetJobResultFuncType	
Kind	Function Pointer	
Syntax	<pre>MemAcc_MemJobResultType (*MemAcc_MemGetJobResultFuncType) (MemAcc_MemInstanceIdType instanceId)</pre>	





Parameters (in)	instanceId	ID of the related memory driver instance.
Parameters (inout)	None	
Parameters (out)	None	
Return value	MemAcc_MemJobResultType	Most recent job result.
Description	Function pointer for the Mem_JobResultType service for the invocation of the Mem driver API via function pointer interface.	
Available via	MemAcc_MemApi.h	

|(SRS_MemHwAb_14045)

8.2.23 MemAcc_MemSuspendFuncType

[SWS_MemAcc_91008]{DRAFT} [

Name	MemAcc_MemSuspendFuncType (draft)	
Kind	Function Pointer	
Syntax	<pre>void (*MemAcc_MemSuspendFuncType) (MemAcc_MemInstanceIdType instanceId)</pre>	
Parameters (in)	instanceId	ID of the related memory driver instance.
Parameters (inout)	None	
Parameters (out)	None	
Return value	None	
Description	Function pointer for the Mem_Suspend service for the invocation of the Mem driver API via function pointer interface. Tags: atp.Status=draft	
Available via	MemAcc_MemApi.h	

|(SRS_MemHwAb_14045)

8.2.24 MemAcc_MemResumeFuncType

[SWS_MemAcc_91009]{DRAFT} [

Name	MemAcc_MemResumeFuncType (draft)	
Kind	Function Pointer	
Syntax	<pre>void (*MemAcc_MemResumeFuncType) (MemAcc_MemInstanceIdType instanceId)</pre>	
Parameters (in)	instanceId	ID of the related memory driver instance.
Parameters (inout)	None	
Parameters (out)	None	
Return value	None	





Description	Function pointer for the Mem_Resume service for the invocation of the Mem driver API via function pointer interface. Tags: atp.Status=draft
Available via	MemAcc_MemApi.h

]([SRS_MemHwAb_14045](#))

8.2.25 MemAcc_MemPropagateErrorFuncType

[SWS_MemAcc_91006] [

Name	MemAcc_MemPropagateErrorFuncType	
Kind	Function Pointer	
Syntax	void (*MemAcc_MemPropagateErrorFuncType) (MemAcc_MemInstanceIdType instanceId)	
Parameters (in)	instanceId	ID of the related memory driver instance.
Parameters (inout)	None	
Parameters (out)	None	
Return value	None	
Description	Function pointer for the Mem_PropagateError service for the invocation of the Mem driver API via function pointer interface.	
Available via	MemAcc_MemApi.h	

]([SRS_MemHwAb_14045](#))

8.2.26 MemAcc_MemReadFuncType

[SWS_MemAcc_91003]{DRAFT} [

Name	MemAcc_MemReadFuncType (draft)	
Kind	Function Pointer	
Syntax	Std_ReturnType (*MemAcc_MemReadFuncType) (MemAcc_MemInstanceIdType instanceId, MemAcc_MemAddressType sourceAddress, MemAcc_MemLengthType length, MemAcc_MemDataType* destinationDataPtr)	
Parameters (in)	instanceId	ID of the related memory driver instance.
	sourceAddress	Physical address to read data from.
	length	Read length in bytes.
Parameters (inout)	None	
Parameters (out)	destinationDataPtr	Destination memory pointer to store the read data.





Return value	Std_ReturnType	E_OK: The requested job has been accepted by the module. E_NOT_OK: The requested job has not been accepted by the module. E_MEM_SERVICE_NOT_AVAIL: The service function is not implemented.
Description	Function pointer for the Mem_Read service for the invocation of the Mem driver API via function pointer interface. Tags: atp.Status=draft	
Available via	MemAcc_MemApi.h	

|(SRS_MemHwAb_14045)

8.2.27 MemAcc_MemWriteFuncType

[SWS_MemAcc_91004]{DRAFT} [

Name	MemAcc_MemWriteFuncType (draft)	
Kind	Function Pointer	
Syntax	<pre>void (*MemAcc_MemWriteFuncType) (Std_ReturnType return, MemAcc_MemInstanceIdType instanceId, MemAcc_MemAddressType targetAddress, const MemAcc_MemDataType* sourceDataPtr, MemAcc_MemLengthType length)</pre>	
Parameters (in)	return	E_OK: The requested job has been accepted by the module. E_NOT_OK: The requested job has not been accepted by the module. E_MEM_SERVICE_NOT_AVAIL: The service function is not implemented.
	instanceId	ID of the related memory driver instance.
	targetAddress	Physical write address (aligned to page size).
	sourceDataPtr	Source data pointer (aligned to page size).
	length	Write length in bytes (aligned to page size).
Parameters (inout)	None	
Parameters (out)	None	
Return value	None	
Description	Function pointer for the Mem_Write service for the invocation of the Mem driver API via function pointer interface. Tags: atp.Status=draft	
Available via	MemAcc_MemApi.h	

|(SRS_MemHwAb_14045)

8.2.28 MemAcc_MemEraseFuncType

[SWS_MemAcc_91005]{DRAFT} [

Name	MemAcc_MemEraseFuncType (draft)	
Kind	Function Pointer	
Syntax	<pre>void (*MemAcc_MemEraseFuncType) (Std_ReturnType return, MemAcc_MemInstanceIdType instanceId, MemAcc_MemAddressType targetAddress, MemAcc_MemLengthType length)</pre>	
Parameters (in)	return	E_OK: The requested job has been accepted by the module. E_NOT_OK: The requested job has not been accepted by the module. E_MEM_SERVICE_NOT_AVAIL: The service function is not implemented.
	instanceId	ID of the related memory driver instance.
	targetAddress	Physical erase address (aligned to sector size).
	length	Erase length in bytes (aligned to sector size).
Parameters (inout)	None	
Parameters (out)	None	
Return value	None	
Description	Function pointer for the Mem_Erase service for the invocation of the Mem driver API via function pointer interface. Tags: atp.Status=draft	
Available via	MemAcc_MemApi.h	

]([SRS_MemHwAb_14045](#))

8.2.29 MemAcc_MemBlankCheckFuncType

[SWS_MemAcc_91007]{DRAFT} [

Name	MemAcc_MemBlankCheckFuncType (draft)	
Kind	Function Pointer	
Syntax	<pre>void (*MemAcc_MemBlankCheckFuncType) (Std_ReturnType return, MemAcc_MemInstanceIdType instanceId, MemAcc_MemAddressType targetAddress, MemAcc_MemLengthType length)</pre>	
Parameters (in)	return	E_OK: The requested job has been accepted by the module. E_NOT_OK: The requested job has not been accepted by the module. E_MEM_SERVICE_NOT_AVAIL: The service function is not implemented.
	instanceId	ID of the related memory driver instance.
	targetAddress	Physical blank check address.
	length	Blank check length.
Parameters (inout)	None	





Parameters (out)	None
Return value	None
Description	Function pointer for the Mem_BlankCheck service for the invocation of the Mem driver API via function pointer interface. Tags: atp.Status=draft
Available via	MemAcc_MemApi.h

](SRS_MemHwAb_14045)

8.2.30 MemAcc_MemHwSpecificServiceFuncType

[SWS_MemAcc_91010]{DRAFT} [

Name	MemAcc_MemHwSpecificServiceFuncType (draft)	
Kind	Function Pointer	
Syntax	<pre>void (*MemAcc_MemHwSpecificServiceFuncType) (Std_ReturnType return, MemAcc_MemInstanceIdType instanceId, MemAcc_MemHwServiceIdType hwServiceId, MemAcc_MemDataType* dataPtr, MemAcc_MemLengthType* lengthPtr)</pre>	
Parameters (in)	return	E_OK: The requested job has been accepted by the module. E_NOT_OK: The requested job has not been accepted by the module. E_MEM_SERVICE_NOT_AVAIL: The service function is not implemented.
	instanceId	ID of the related memory driver instance.
	hwServiceId	Hardware specific service request identifier for dispatching the request.
	lengthPtr	Size pointer of the passed data.
Parameters (inout)	dataPtr	Request specific data pointer.
Parameters (out)	None	
Return value	None	
Description	Function pointer for the Mem_HwSpecificService function for the invocation of the Mem driver API via function pointer interface. Tags: atp.Status=draft	
Available via	MemAcc_MemApi.h	

](SRS_MemHwAb_14045)

8.2.31 MemAcc_MemMainFuncType

[SWS_MemAcc_91001] [

Name	MemAcc_MemMainFuncType
Kind	Function Pointer
Syntax	<code>void (*MemAcc_MemMainFuncType) (void)</code>
Parameters (in)	None
Parameters (inout)	None
Parameters (out)	None
Return value	None
Description	Function pointer for the Mem_MainFunction service for the invocation of the Mem driver API via function pointer interface.
Available via	MemAcc_MemApi.h

]([SRS_MemHwAb_14045](#))

8.3 Function Definitions

8.3.1 Synchronous Functions

8.3.1.1 MemAcc_Init

[SWS_MemAcc_10015] [

Service Name	MemAcc_Init	
Syntax	<code>void MemAcc_Init (const MemAcc_ConfigType* configPtr)</code>	
Service ID [hex]	0x01	
Sync/Async	Synchronous	
Reentrancy	Non Reentrant	
Parameters (in)	configPtr	Pointer to selected configuration structure.
Parameters (inout)	None	
Parameters (out)	None	
Return value	None	
Description	Initialization function - initializes all variables and sets the module state to initialized.	
Available via	MemAcc.h	

]([SRS_MemHwAb_14035](#), [SRS_MemHwAb_14037](#))

[SWS_MemAcc_00025] [The service [MemAcc_Init](#) shall initialize the MemAcc module internal states. If [MemAccMemInvocation](#) is set to `INDIRECT_DYNAMIC` or `INDIRECT_STATIC`, [MemAcc_Init](#) shall also initialize all available Mem drivers by calling the Mem driver's individual initialization functions.]([SRS_MemHwAb_14037](#), [SRS_MemHwAb_14047](#))

8.3.1.2 MemAcc_DeInit

[SWS_MemAcc_10041] [

Service Name	MemAcc_DeInit
Syntax	void MemAcc_DeInit (void)
Service ID [hex]	0x13
Sync/Async	Synchronous
Reentrancy	Non Reentrant
Parameters (in)	None
Parameters (inout)	None
Parameters (out)	None
Return value	None
Description	Deinitialize module. If there are still access jobs pending, they are immediately terminated and the module state is set to uninitialized. Therefore, MemAcc must be re-initialized before it will accept any new job requests after this service is processed.
Available via	MemAcc.h

]([SRS_MemHwAb_14037](#))

[SWS_MemAcc_00111] [The service [MemAcc_DeInit](#) shall de-initialize the MemAcc module internal states. If [MemAccMemInvocation](#) is set to `INDIRECT_DYNAMIC` or `INDIRECT_STATIC`, [MemAcc_DeInit](#) shall also de-initialize all available Mem drivers by calling the Mem driver's individual de-initialization functions.]([SRS_MemHwAb_14047](#))

8.3.1.3 MemAcc_GetVersionInfo

[SWS_MemAcc_10016] [

Service Name	MemAcc_GetVersionInfo
Syntax	void MemAcc_GetVersionInfo (Std_VersionInfoType* versionInfoPtr)
Service ID [hex]	0x02
Sync/Async	Synchronous
Reentrancy	Reentrant
Parameters (in)	None
Parameters (inout)	None
Parameters (out)	versionInfoPtr Pointer to where to store the version information of this module.
Return value	None
Description	Service to return the version information of the MemAcc module.
Available via	MemAcc.h

]([SRS_BSW_00003](#))

[SWS_MemAcc_00027] [If development error detection is enabled by [MemAccDev-ErrorDetect](#), the service [MemAcc_GetVersionInfo](#) shall raise the development error MEMACC_E_PARAM_POINTER if the argument is a NULL pointer.]([SRS_BSW_00323](#))

8.3.1.4 MemAcc_GetJobResult

[SWS_MemAcc_10019] [

Service Name	MemAcc_GetJobResult	
Syntax	<pre>MemAcc_JobResultType MemAcc_GetJobResult (MemAcc_AddressAreaIdType addressAreaId)</pre>	
Service ID [hex]	0x05	
Sync/Async	Synchronous	
Reentrancy	Reentrant	
Parameters (in)	addressAreald	Numeric identifier of address area.
Parameters (inout)	None	
Parameters (out)	None	
Return value	MemAcc_JobResultType	Most recent job result of the referenced address area.
Description	Returns the consolidated job result of the address area referenced by addressAreald.	
Available via	MemAcc.h	

]([SRS_MemHwAb_14040](#))

[SWS_MemAcc_00092] [The service [MemAcc_GetJobResult](#) shall return the consolidated result of the last MemAcc job.]([SRS_MemHwAb_14040](#))

Note: If a MemAcc job is still pending, the API returns the result of the last MemAcc job.

[SWS_MemAcc_00033] [If development error detection is enabled by [MemAccDev-ErrorDetect](#), the service [MemAcc_GetJobResult](#) shall check that the MemAcc module has been initialized. If this check fails, [MemAcc_GetJobResult](#) shall raise the development error MEMACC_E_UNINIT.]([SRS_BSW_00406](#))

[SWS_MemAcc_00034] [If development error detection is enabled by [MemAccDevErrorDetect](#), the service [MemAcc_GetJobResult](#) shall check that the provided [addressAreaId](#) is consistent with the configuration. If this check fails, [MemAcc_GetJobResult](#) shall raise the development error MEMACC_E_PARAM_ADDRESS_AREA_ID.]([SRS_BSW_00323](#))

8.3.1.5 MemAcc_GetJobStatus

[SWS_MemAcc_10040] [

Service Name	MemAcc_GetJobStatus	
Syntax	MemAcc_JobStatusType MemAcc_GetJobStatus (MemAcc_AddressAreaIdType addressAreaId)	
Service ID [hex]	0x10	
Sync/Async	Synchronous	
Reentrancy	Reentrant	
Parameters (in)	addressAreaId	Numeric identifier of address area.
Parameters (inout)	None	
Parameters (out)	None	
Return value	MemAcc_JobStatusType	Most recent job result of the referenced address area.
Description	Returns the status of the MemAcc job referenced by addressAreaId.	
Available via	MemAcc.h	

](SRS_MemHwAb_14040)

[SWS_MemAcc_00118] [The service MemAcc_GetJobStatus shall return MEMACC_JOB_IDLE for the referenced addressAreaId if MemAcc is not processing a job request.](SRS_MemHwAb_14040)

[SWS_MemAcc_00119] [The service MemAcc_GetJobStatus shall return MEMACC_JOB_PENDING for the referenced addressAreaId if MemAcc is currently processing a job request.](SRS_MemHwAb_14040)

[SWS_MemAcc_00117] [If development error detection is enabled by MemAccDevErrorDetect, the service MemAcc_GetJobStatus shall check that the MemAcc module has been initialized. If this check fails, MemAcc_GetJobStatus shall raise the development error MEMACC_E_UNINIT.](SRS_BSW_00406)

[SWS_MemAcc_00124] [If development error detection is enabled by MemAccDevErrorDetect, the service MemAcc_GetJobStatus shall check that the provided addressAreaId is consistent with the configuration. If this check fails, MemAcc_GetJobStatus shall raise the development error MEMACC_E_PARAM_ADDRESS_AREA_ID.](SRS_BSW_00323)

8.3.1.6 MemAcc_GetMemoryInfo

[SWS_MemAcc_10020] [

Service Name	MemAcc_GetMemoryInfo	
Syntax	<pre>Std_ReturnType MemAcc_GetMemoryInfo (MemAcc_AddressAreaIdType addressAreaId, MemAcc_AddressType address, MemAcc_MemoryInfoType* memoryInfoPtr)</pre>	
Service ID [hex]	0x06	
Sync/Async	Synchronous	
Reentrancy	Reentrant	
Parameters (in)	addressAreaId	Numeric identifier of address area.
	address	Address in logical address space from which corresponding memory device information shall be retrieved.
Parameters (inout)	None	
Parameters (out)	memoryInfoPtr	Destination memory pointer to store the memory device information.
Return value	Std_ReturnType	E_OK: The requested addressAreaId and address are valid. E_NOT_OK: The requested addressAreaId and address are invalid.
Description	This service function retrieves the physical memory device information of a specific address area. It can be used by an upper layer to get all necessary information to align the start address and trim the length for erase/write jobs.	
Available via	MemAcc.h	

] ([SRS_MemHwAb_14054](#))

[SWS_MemAcc_00035] [If development error detection is enabled by [MemAccDev-ErrorDetect](#), the service [MemAcc_GetMemoryInfo](#) shall check that the MemAcc module has been initialized. If this check fails, [MemAcc_GetMemoryInfo](#) shall raise the development error MEMACC_E_UNINIT.] ([SRS_BSW_00406](#))

[SWS_MemAcc_00036] [If development error detection is enabled by [MemAccDev-ErrorDetect](#), the service [MemAcc_GetMemoryInfo](#) shall check that the provided [addressAreaId](#) is consistent with the configuration. If this check fails, [MemAcc_GetMemoryInfo](#) shall raise the development error MEMACC_E_PARAM_ADDRESS_AREA_ID.] ([SRS_BSW_00323](#))

[SWS_MemAcc_00037] [If development error detection is enabled by [MemAccDev-ErrorDetect](#), the service [MemAcc_GetMemoryInfo](#) shall raise the development error MEMACC_E_PARAM_POINTER if the [memoryInfoPtr](#) argument is a NULL pointer.] ([SRS_BSW_00323](#))

8.3.1.7 MemAcc_GetProcessedLength

[SWS_MemAcc_10021] [

Service Name	MemAcc_GetProcessedLength	
Syntax	MemAcc_LengthType MemAcc_GetProcessedLength (MemAcc_AddressAreaIdType addressAreaId)	
Service ID [hex]	0x07	
Sync/Async	Synchronous	
Reentrancy	Reentrant	
Parameters (in)	addressAreaId	Numeric identifier of address area.
Parameters (inout)	None	
Parameters (out)	None	
Return value	MemAcc_LengthType	Processed length of current job (in bytes).
Description	Returns the accumulated number of bytes that have already been processed in the current job.	
Available via	MemAcc.h	

](SRS_MemHwAb_14040)

[SWS_MemAcc_00120] [The service MemAcc_GetProcessedLength shall return the processed length of the current MemAcc job referenced by addressAreaId. If the job finished successfully, MemAcc_GetProcessedLength shall return the requested job length of the finished job until a new MemAcc job request is received for the referenced addressAreaId.](SRS_MemHwAb_14040)

[SWS_MemAcc_00038] [If development error detection is enabled by MemAccDevErrorDetect, the service MemAcc_GetProcessedLength shall check that the MemAcc module has been initialized. If this check fails, MemAcc_GetProcessedLength shall raise the development error MEMACC_E_UNINIT.](SRS_BSW_00406)

[SWS_MemAcc_00039] [If development error detection is enabled by MemAccDevErrorDetect, the service MemAcc_GetProcessedLength shall check that the provided addressAreaId is consistent with the configuration. If this check fails, MemAcc_GetProcessedLength shall raise the development error MEMACC_E_PARAM_ADDRESS_AREA_ID.](SRS_BSW_00323)

8.3.1.8 MemAcc_GetJobInfo

[SWS_MemAcc_10022] [

Service Name	MemAcc_GetJobInfo	
Syntax	<pre>void MemAcc_GetJobInfo (MemAcc_AddressAreaIdType addressAreaId, MemAcc_JobInfoType* jobInfoPtr)</pre>	
Service ID [hex]	0x08	
Sync/Async	Synchronous	
Reentrancy	Reentrant	
Parameters (in)	addressAreaId	Numeric identifier of address area.
Parameters (inout)	None	
Parameters (out)	jobInfoPtr	Structure pointer to return the detailed processing information of the current job.
Return value	None	
Description	Returns detailed information of the current memory job like memory device ID, job type, job processing state or job result, address area as well as address and length.	
Available via	MemAcc.h	

] ([SRS_MemHwAb_14040](#))

[SWS_MemAcc_00040] [If development error detection is enabled by [MemAccDevErrorDetect](#), the service [MemAcc_GetJobInfo](#) shall check that the MemAcc module has been initialized. If this check fails, [MemAcc_GetJobInfo](#) shall raise the development error MEMACC_E_UNINIT.] ([SRS_BSW_00406](#))

[SWS_MemAcc_00041] [If development error detection is enabled by [MemAccDevErrorDetect](#), the service [MemAcc_GetJobInfo](#) shall check that the provided [addressAreaId](#) is consistent with the configuration. If this check fails, [MemAcc_GetJobInfo](#) shall raise the development error MEMACC_E_PARAM_ADDRESS_AREA_ID.] ([SRS_BSW_00323](#))

[SWS_MemAcc_00042] [If development error detection is enabled by [MemAccDevErrorDetect](#), the service [MemAcc_GetJobInfo](#) shall raise the development error MEMACC_E_PARAM_POINTER if the [memoryInfoPtr](#) argument is a NULL pointer.] ([SRS_BSW_00323](#))

8.3.1.9 MemAcc_ActivateMem

[SWS_MemAcc_10033] [

Service Name	MemAcc_ActivateMem	
Syntax	<pre>Std_ReturnType MemAcc_ActivateMem (MemAcc_AddressType headerAddress, MemAcc_HwIdType hwId)</pre>	
Service ID [hex]	0x14	
Sync/Async	Synchronous	
Reentrancy	Reentrant	
Parameters (in)	headerAddress	Physical start address of Mem driver header structure.
	hwId	Unique numeric memory driver identifier.
Parameters (inout)	None	
Parameters (out)	None	
Return value	Std_ReturnType	E_OK: Mem driver activation successful. E_NOT_OK: Mem driver activation failed.
Description	Dynamic activation and initialization of a Mem driver referenced by hwId and headerAddress.	
Available via	MemAcc.h	

]([SRS_MemHwAb_14045](#), [SRS_MemHwAb_14047](#))

[SWS_MemAcc_00121] [If [MemAccMemInvocation](#) is set to `INDIRECT_DYNAMIC`, the service [MemAcc_ActivateMem](#) shall initialize the Mem driver referenced by `hwId` and `headerAddress` and update the internal driver activation state.]([SRS_MemHwAb_14045](#), [SRS_MemHwAb_14047](#))

[SWS_MemAcc_00088] [If development error detection is enabled by [MemAccDevErrorDetect](#), the service [MemAcc_ActivateMem](#) shall check that the MemAcc module has been initialized. If this check fails, [MemAcc_ActivateMem](#) shall raise the development error `MEMACC_E_UNINIT`.]([SRS_BSW_00406](#))

[SWS_MemAcc_00089] [If development error detection is enabled by [MemAccDevErrorDetect](#), the service [MemAcc_ActivateMem](#) shall ensure the validity of the Mem driver binary by checks in the following sequence:

1. Comparing the header address field with the start address of the Mem driver binary (if the Mem driver was not compiled as a relocatable binary)
2. Unique ID validity
3. Availability and consistency of the delimiter field

If any of these checks fails [MemAcc_ActivateMem](#) shall raise the development error `MEMACC_E_MEM_INIT_FAILED`.]([SRS_MemHwAb_14045](#), [SRS_MemHwAb_14049](#))

8.3.1.10 MemAcc_DeactivateMem

[SWS_MemAcc_10034] [

Service Name	MemAcc_DeactivateMem	
Syntax	<pre>Std_ReturnType MemAcc_DeactivateMem (MemAcc_HwIdType hwId, MemAcc_AddressType headerAddress)</pre>	
Service ID [hex]	0x15	
Sync/Async	Synchronous	
Reentrancy	Reentrant	
Parameters (in)	hwId	Unique numeric memory driver identifier.
	headerAddress	Physical start address of Mem driver header structure.
Parameters (inout)	None	
Parameters (out)	None	
Return value	Std_ReturnType	E_OK: Mem driver deactivation successful. E_NOT_OK: Mem driver deactivation failed.
Description	Dynamic deactivation of a Mem driver referenced by hwId and headerAddress.	
Available via	MemAcc.h	

]([SRS_MemHwAb_14045](#), [SRS_MemHwAb_14047](#))

[SWS_MemAcc_00122] [If [MemAccMemInvocation](#) is set to `INDIRECT_DYNAMIC`, the service [MemAcc_DeactivateMem](#) shall de-initialize the Mem driver referenced by `hwId` and `headerAddress` and update the internal driver activation state.] ([SRS_MemHwAb_14045](#), [SRS_MemHwAb_14047](#))

[SWS_MemAcc_00090] [If development error detection is enabled by [MemAccDevErrorDetect](#), the service [MemAcc_DeactivateMem](#) shall check that the MemAcc module has been initialized. If this check fails, [MemAcc_DeactivateMem](#) shall raise the development error `MEMACC_E_UNINIT`.] ([SRS_BSW_00406](#))

[SWS_MemAcc_00123] [In case a MemAcc job is still pending, the service [MemAcc_DeactivateMem](#) shall return `E_NOT_OK` without any further action.] ([SRS_MemHwAb_14031](#))

Note: After calling the MemAcc_DeactivateMem service, the integration code shall also clear the memory area where the corresponding Mem driver is stored to prevent accidental execution of a Mem driver.

8.3.2 Asynchronous Functions

8.3.2.1 MemAcc_Cancel

[SWS_MemAcc_10018] [

Service Name	MemAcc_Cancel	
Syntax	<pre>void MemAcc_Cancel (MemAcc_AddressAreaIdType addressAreaId)</pre>	
Service ID [hex]	0x04	
Sync/Async	Asynchronous	
Reentrancy	Reentrant	
Parameters (in)	addressAreaId	Numeric identifier of address area.
Parameters (inout)	None	
Parameters (out)	None	
Return value	None	
Description	Triggers a cancel operation of the pending job for the address area referenced by the address AreaId. Cancelling affects only jobs in pending state. For any other states, the request will be ignored.	
Available via	MemAcc.h	

]([SRS_MemHwAb_14038](#), [SRS_MemHwAb_14039](#))

[SWS_MemAcc_00028] [When the [MemAcc_Cancel](#) service is called by an upper layer, the MemAcc module shall wait for the completion of a pending Mem job and stop further processing of the current MemAcc job.]([SRS_MemHwAb_14038](#), [SRS_MemHwAb_14044](#))

Note: Not all memory devices support a cancel operation in hardware. To keep the behavior consistent, the cancel operation is only applied on the physical segmentation.

[SWS_MemAcc_00029] [In case no MemAcc job is pending, the [MemAcc_Cancel](#) service shall just return without any further action, i.e., the result of the last MemAcc job shall not be affected.]([SRS_MemHwAb_14031](#))

[SWS_MemAcc_00030] [If development error detection is enabled by [MemAccDev-ErrorDetect](#), the service [MemAcc_Cancel](#) shall check that the MemAcc module has been initialized. If this check fails, [MemAcc_Cancel](#) shall raise the development error MEMACC_E_UNINIT.]([SRS_BSW_00406](#))

[SWS_MemAcc_00031] [If development error detection is enabled by [MemAccDev-ErrorDetect](#), the service [MemAcc_Cancel](#) shall check that the provided [addressAreaId](#) is consistent with the configuration. If this check fails, [MemAcc_Cancel](#) shall raise the development error MEMACC_E_PARAM_ADDRESS_AREA_ID.]([SRS_BSW_00323](#))

8.3.2.2 MemAcc_Read

[SWS_MemAcc_10023] [

Service Name	MemAcc_Read	
Syntax	<pre>Std_ReturnType MemAcc_Read (MemAcc_AddressAreaIdType addressAreaId, MemAcc_AddressType sourceAddress, MemAcc_DataType* destinationDataPtr, MemAcc_LengthType length)</pre>	
Service ID [hex]	0x09	
Sync/Async	Asynchronous	
Reentrancy	Reentrant	
Parameters (in)	addressAreaId	Numeric identifier of address area.
	sourceAddress	Read address in logical address space.
	length	Read length in bytes (aligned to read page size)
Parameters (inout)	None	
Parameters (out)	destinationDataPtr	Destination memory pointer to store the read data.
Return value	Std_ReturnType	E_OK: The requested job has been accepted by the module. E_NOT_OK: The requested job has not been accepted by the module. E_MEM_SERVICE_NOT_AVAIL: The underlying Mem driver service function is not available.
Description	Triggers a read job to copy data from the source address into the referenced destination data buffer. The result of this service can be retrieved using the MemAcc_GetJobResult API. If the read operation was successful, the result of the job is MEMACC_MEM_OK. If the read operation failed, the result of the job is either MEMACC_MEM_FAILED in case of a general error or MEMACC_MEM_ECC_CORRECTED/MEMACC_MEM_ECC_UNCORRECTED in case of a correctable/uncorrectable ECC error.	
Available via	MemAcc.h	

] ([SRS_MemHwAb_14038](#), [SRS_MemHwAb_14039](#))

[SWS_MemAcc_00043] [If development error detection is enabled by [MemAccDevErrorDetect](#), the service [MemAcc_Read](#) shall check that the MemAcc module has been initialized. If this check fails, [MemAcc_Read](#) shall raise the development error MEMACC_E_UNINIT.] ([SRS_BSW_00406](#))

[SWS_MemAcc_00044] [If development error detection is enabled by [MemAccDevErrorDetect](#), the service [MemAcc_Read](#) shall check that the provided [addressAreaId](#) is consistent with the configuration. If this check fails, [MemAcc_Read](#) shall raise the development error MEMACC_E_PARAM_ADDRESS_AREA_ID.] ([SRS_BSW_00323](#))

[SWS_MemAcc_00045] [If development error detection is enabled by [MemAccDevErrorDetect](#), the service [MemAcc_Read](#) shall raise the development error MEMACC_E_PARAM_POINTER if the [destinationDataPtr](#) argument is a NULL pointer.] ([SRS_BSW_00323](#))

[SWS_MemAcc_00046] [If development error detection is enabled by [MemAccDevErrorDetect](#), the service [MemAcc_Read](#) shall raise the development error MEMACC_E_PARAM_ADDRESS_LENGTH if the address range defined by [sourceAddress](#) and [length](#) is invalid, i.e. not aligned to MemReadPageSize or exceeds the configured area.]([SRS_BSW_00323](#))

[SWS_MemAcc_00047] [If development error detection is enabled by [MemAccDevErrorDetect](#), the service [MemAcc_Read](#) shall raise the development error MEMACC_E_BUSY if a previous MemAcc job for the same [addressAreaId](#) is still being processed.]([SRS_BSW_00323](#))

8.3.2.3 MemAcc_Write

[SWS_MemAcc_10024] [

Service Name	MemAcc_Write	
Syntax	<pre>Std_ReturnType MemAcc_Write (MemAcc_AddressAreaIdType addressAreaId, MemAcc_AddressType targetAddress, const MemAcc_DataType* sourceDataPtr, MemAcc_LengthType length)</pre>	
Service ID [hex]	0x0a	
Sync/Async	Asynchronous	
Reentrancy	Reentrant	
Parameters (in)	addressAreaId	Numeric identifier of address area.
	targetAddress	Write address in logical address space.
	sourceDataPtr	Source data pointer (aligned to MemAccBufferAlignmentValue).
	length	Write length in bytes (aligned to page size).
Parameters (inout)	None	
Parameters (out)	None	
Return value	Std_ReturnType	E_OK: The requested job has been accepted by the module. E_NOT_OK: The requested job has not been accepted by the module. E_MEM_SERVICE_NOT_AVAIL: The underlying Mem driver service function is not available.
Description	Triggers a write job to store the passed data to the provided address area with given address and length. The result of this service can be retrieved using the MemAcc_GetJobResult API. If the write operation was successful, the job result is MEMACC_MEM_OK. If there was an issue writing the data, the result is MEMACC_MEM_FAILED.	
Available via	MemAcc.h	

]([SRS_MemHwAb_14038](#), [SRS_MemHwAb_14039](#))

[SWS_MemAcc_00048] [If development error detection is enabled by [MemAccDevErrorDetect](#), the service [MemAcc_Write](#) shall check that the MemAcc module has been initialized. If this check fails, [MemAcc_Write](#) shall raise the development error MEMACC_E_UNINIT.]([SRS_BSW_00406](#))

[SWS_MemAcc_00049] [If development error detection is enabled by `MemAccDevErrorDetect`, the service `MemAcc_Write` shall check that the provided `addressAreaId` is consistent with the configuration. If this check fails, `MemAcc_Write` shall raise the development error `MEMACC_E_PARAM_ADDRESS_AREA_ID`.] (*SRS_BSW_00323*)

[SWS_MemAcc_00050] [If development error detection is enabled by `MemAccDevErrorDetect`, the service `MemAcc_Write` shall raise the development error `MEMACC_E_PARAM_POINTER` if the `sourceDataPtr` argument is a NULL pointer.] (*SRS_BSW_00323*)

[SWS_MemAcc_00051] [If development error detection is enabled by `MemAccDevErrorDetect`, the service `MemAcc_Write` shall raise the development error `MEMACC_E_PARAM_ADDRESS_LENGTH` if the address range defined by `targetAddress` and `length` is invalid, i.e. not aligned to `MemWritePageSize` or exceeds the configured area.] (*SRS_BSW_00323*)

[SWS_MemAcc_00052] [If development error detection is enabled by `MemAccDevErrorDetect`, the service `MemAcc_Write` shall raise the development error `MEMACC_E_BUSY` if a previous `MemAcc` job for the same `addressAreaId` is still being processed.] (*SRS_BSW_00323*)

8.3.2.4 MemAcc_Erase

[SWS_MemAcc_10025] [

Service Name	MemAcc_Erase	
Syntax	<pre>Std_ReturnType MemAcc_Erase (MemAcc_AddressAreaIdType addressAreaId, MemAcc_AddressType targetAddress, MemAcc_LengthType length)</pre>	
Service ID [hex]	0x0b	
Sync/Async	Asynchronous	
Reentrancy	Reentrant	
Parameters (in)	<code>addressAreaId</code>	Numeric identifier of address area.
	<code>targetAddress</code>	Erase address in logical address space (aligned to sector size).
	<code>length</code>	Erase length in bytes (aligned to sector size).
Parameters (inout)	None	
Parameters (out)	None	
Return value	<code>Std_ReturnType</code>	<code>E_OK</code> : The requested job has been accepted by the module. <code>E_NOT_OK</code> : The requested job has not been accepted by the module. <code>E_MEM_SERVICE_NOT_AVAIL</code> : The underlying Mem driver service function is not available.





Description	Triggers an erase job of the given area. Triggers an erase job of the given area defined by <code>targetAddress</code> and <code>length</code> . The result of this service can be retrieved using the <code>Mem_GetJobResult</code> API. If the erase operation was successful, the result of the job is <code>MEM_JOB_OK</code> . If the erase operation failed, e.g. due to a hardware issue, the result of the job is <code>MEM_JOB_FAILED</code> .
Available via	<code>MemAcc.h</code>

]([SRS_MemHwAb_14038](#), [SRS_MemHwAb_14039](#))

[SWS_MemAcc_00053] [If development error detection is enabled by [MemAccDevErrorDetect](#), the service [MemAcc_Erase](#) shall check that the `MemAcc` module has been initialized. If this check fails, [MemAcc_Erase](#) shall raise the development error `MEMACC_E_UNINIT`.]([SRS_BSW_00406](#))

[SWS_MemAcc_00054] [If development error detection is enabled by [MemAccDevErrorDetect](#), the service [MemAcc_Erase](#) shall check that the provided `addressAreaId` is consistent with the configuration. If this check fails, [MemAcc_Erase](#) shall raise the development error `MEMACC_E_PARAM_ADDRESS_AREA_ID`.]([SRS_BSW_00323](#))

[SWS_MemAcc_00055] [If development error detection is enabled by [MemAccDevErrorDetect](#), the service [MemAcc_Erase](#) shall raise the development error `MEMACC_E_PARAM_ADDRESS_LENGTH` if the address range defined by `targetAddress` and `length` is invalid, i.e. not aligned to `MemEraseSectorSize` or exceeds the configured area.]([SRS_BSW_00323](#))

[SWS_MemAcc_00056] [If development error detection is enabled by [MemAccDevErrorDetect](#), the service [MemAcc_Erase](#) shall raise the development error `MEMACC_E_BUSY` if a previous `MemAcc` job for the same `addressAreaId` is still being processed.]([SRS_BSW_00323](#))

8.3.2.5 MemAcc_Compare

[SWS_MemAcc_10026]{DRAFT} [

Service Name	<code>MemAcc_Compare</code> (draft)
Syntax	<pre>Std_ReturnType MemAcc_Compare (MemAcc_AddressAreaIdType addressAreaId, MemAcc_AddressType sourceAddress, const MemAcc_DataType* dataPtr, MemAcc_LengthType length)</pre>
Service ID [hex]	<code>0x0c</code>





Sync/Async	Asynchronous	
Reentrancy	Reentrant	
Parameters (in)	addressAreaId	Numeric identifier of address area.
	sourceAddress	Compare address in logical address space.
	dataPtr	Pointer to user data which shall be compared to data in memory.
	length	Compare length in bytes.
Parameters (inout)	None	
Parameters (out)	None	
Return value	Std_ReturnType	E_OK: The requested job has been accepted by the module. E_NOT_OK: The requested job has not been accepted by the module. E_MEM_SERVICE_NOT_AVAIL: The underlying Mem driver service function is not available.
Description	Triggers a job to compare the passed data to the memory content of the provided address area. The job terminates, if all bytes matched or a difference was detected. The result of this service can be retrieved using the MemAcc_GetJobResult() API. If the compare operation determined a mismatch, the result code is MEMACC_MEM_INCONSISTENT. Tags: atp.Status=draft	
Available via	MemAcc.h	

|(SRS_MemHwAb_14038, SRS_MemHwAb_14039)

[SWS_MemAcc_00057] [If development error detection is enabled by MemAccDevErrorDetect, the service MemAcc_Compare shall check that the MemAcc module has been initialized. If this check fails, MemAcc_Compare shall raise the development error MEMACC_E_UNINIT.](SRS_BSW_00406)

[SWS_MemAcc_00058] [If development error detection is enabled by MemAccDevErrorDetect, the service MemAcc_Compare shall check that the provided addressAreaId is consistent with the configuration. If this check fails, MemAcc_Compare shall raise the development error MEMACC_E_PARAM_ADDRESS_AREA_ID.](SRS_BSW_00323)

[SWS_MemAcc_00059] [If development error detection is enabled by MemAccDevErrorDetect, the service MemAcc_Compare shall raise the development error MEMACC_E_PARAM_POINTER if the dataPtr argument is a NULL pointer.](SRS_BSW_00323)

[SWS_MemAcc_00060] [If development error detection is enabled by MemAccDevErrorDetect, the service MemAcc_Compare shall raise the development error MEMACC_E_PARAM_ADDRESS_LENGTH if the address range defined by sourceAddress and length is invalid, i.e. not aligned to MemReadPageSize.](SRS_BSW_00323)

[SWS_MemAcc_00061] [If development error detection is enabled by MemAccDevErrorDetect, the service MemAcc_Compare shall raise the development error

MEMACC_E_BUSY if a previous MemAcc job for the same addressAreaId is still being processed.] ([SRS_BSW_00323](#))

[SWS_MemAcc_00114] [If the compare operation determined a mismatch, the result code returned by the [MemAcc_GetJobResult](#) service shall be set to MEMACC_MEM_INCONSISTENT, otherwise [MemAcc_GetJobResult](#) shall return MEMACC_MEM_OK.] ([SRS_MemHwAb_14040](#))

8.3.2.6 MemAcc_BlankCheck

[SWS_MemAcc_10027] [

Service Name	MemAcc_BlankCheck	
Syntax	Std_ReturnType MemAcc_BlankCheck (MemAcc_AddressAreaIdType addressAreaId, MemAcc_AddressType targetAddress, MemAcc_LengthType length)	
Service ID [hex]	0x0d	
Sync/Async	Asynchronous	
Reentrancy	Reentrant	
Parameters (in)	addressAreaId	Numeric identifier of address area.
	targetAddress	Blank check address in logical address space.
	length	Blank check length in bytes.
Parameters (inout)	None	
Parameters (out)	None	
Return value	Std_ReturnType	E_OK: The requested job has been accepted by the module. E_NOT_OK: The requested job has been rejected by the module. E_MEM_SERVICE_NOT_AVAIL: The underlying Mem driver service function is not available and no job was started.
Description	Checks if the passed address space is blank, i.e. erased and writeable. The result of this service can be retrieved using the MemAcc_GetJobResult API. If the address area defined by targetAddress and length is blank, the result is MEMACC_MEM_OK, otherwise the result is MEMACC_MEM_INCONSISTENT.	
Available via	MemAcc.h	

] ([SRS_MemHwAb_14038](#), [SRS_MemHwAb_14039](#))

[SWS_MemAcc_00062] [If development error detection is enabled by [MemAccDevErrorDetect](#), the service [MemAcc_BlankCheck](#) shall check that the MemAcc module has been initialized. If this check fails, [MemAcc_BlankCheck](#) shall raise the development error MEMACC_E_UNINIT.] ([SRS_BSW_00406](#))

[SWS_MemAcc_00063] [If development error detection is enabled by [MemAccDevErrorDetect](#), the service [MemAcc_BlankCheck](#) shall check that the provided [addressAreaId](#) is consistent with the configuration. If this check fails, [MemAcc_BlankCheck](#) shall raise the development error

MEMACC_E_PARAM_ADDRESS_AREA_ID.]([SRS_BSW_00323](#))

[SWS_MemAcc_00064] [If development error detection is enabled by [MemAccDev-ErrorDetect](#), the service [MemAcc_BlankCheck](#) shall raise the development error MEMACC_E_PARAM_ADDRESS_LENGTH if the address range defined by `sourceAddress` and `length` is invalid, i.e. not aligned to `MemReadPageSize`.]([SRS_BSW_00323](#))

[SWS_MemAcc_00065] [If development error detection is enabled by [MemAccDev-ErrorDetect](#), the service [MemAcc_BlankCheck](#) shall raise the development error MEMACC_E_BUSY if a previous MemAcc job for the same `addressAreaId` is still being processed.]([SRS_BSW_00323](#))

8.3.2.7 MemAcc_HwSpecificService

[SWS_MemAcc_10028] [

Service Name	MemAcc_HwSpecificService	
Syntax	<pre>Std_ReturnType MemAcc_HwSpecificService (MemAcc_AddressAreaIdType addressAreaId, MemAcc_HwIdType hwId, MemAcc_MemHwServiceIdType hwServiceId, MemAcc_DataType* dataPtr, MemAcc_LengthType* lengthPtr)</pre>	
Service ID [hex]	0xe	
Sync/Async	Asynchronous	
Reentrancy	Reentrant	
Parameters (in)	<code>addressAreaId</code>	Numeric identifier of address area.
	<code>hwId</code>	Unique numeric memory driver identifier.
	<code>hwServiceId</code>	Hardware specific service request identifier for dispatching the request.
Parameters (inout)	<code>dataPtr</code>	Data pointer pointing to the job buffer. Value can be <code>NULL_PTR</code> , if not needed. If <code>dataPtr</code> is used by the hardware specific service, the pointer must be valid until the job completed.
	<code>lengthPtr</code>	Size pointer of the data passed by <code>dataPtr</code> . Can be <code>NULL_PTR</code> if <code>dataPtr</code> is also <code>NULL_PTR</code> .
Parameters (out)	None	
Return value	<code>Std_ReturnType</code>	<p><code>E_OK</code>: The requested job has been accepted by the module.</p> <p><code>E_NOT_OK</code>: The requested job has not been accepted by the module.</p> <p><code>E_MEM_SERVICE_NOT_AVAIL</code>: The underlying Mem driver service function is not available.</p>
Description	<p>Triggers a hardware specific job request referenced by <code>hwServiceId</code>. Service specific data can be passed/retrieved by <code>dataPtr</code>.</p> <p>The result of this service can be retrieved using the <code>MemAcc_GetJobResult</code> API. If the hardware specific operation was successful, the result of the job is <code>MEMACC_MEM_OK</code>. If the hardware specific operation failed, the result of the job is <code>MEMACC_MEM_FAILED</code>.</p>	
Available via	MemAcc.h	

]([SRS_MemHwAb_14038](#), [SRS_MemHwAb_14039](#), [SRS_MemHwAb_14056](#))

[SWS_MemAcc_00066] [If development error detection is enabled by [MemAccDevErrorDetect](#), the service [MemAcc_HwSpecificService](#) shall check that the MemAcc module has been initialized. If this check fails, [MemAcc_HwSpecificService](#) shall raise the development error MEMACC_E_UNINIT.]([SRS_BSW_00406](#))

[SWS_MemAcc_00067] [If development error detection is enabled by [MemAccDevErrorDetect](#), the service [MemAcc_HwSpecificService](#) shall check that the provided [addressAreaId](#) is consistent with the configuration. If this check fails, [MemAcc_HwSpecificService](#) shall raise the development error MEMACC_E_PARAM_ADDRESS_AREA_ID.]([SRS_BSW_00323](#))

[SWS_MemAcc_00068] [If development error detection is enabled by [MemAccDevErrorDetect](#), the service [MemAcc_HwSpecificService](#) shall raise the development error MEMACC_E_PARAM_HW_ID if the Mem driver hardware identification given by [hwId](#) is invalid or not assigned to the passed [addressAreaId](#).]([SRS_BSW_00323](#))

[SWS_MemAcc_00070] [If development error detection is enabled by [MemAccDevErrorDetect](#), the service [MemAcc_HwSpecificService](#) shall raise the development error MEMACC_E_BUSY if a previous MemAcc job for the same [addressAreaId](#) is still being processed.]([SRS_BSW_00323](#))

8.3.2.8 MemAcc_RequestLock

[SWS_MemAcc_10030] [

Service Name	MemAcc_RequestLock	
Syntax	<pre>Std_ReturnType MemAcc_RequestLock (MemAcc_AddressAreaIdType addressAreaId, MemAcc_AddressType address, MemAcc_AddressType length, void* lockNotificationFctPtr)</pre>	
Service ID [hex]	0x11	
Sync/Async	Asynchronous	
Reentrancy	Reentrant	
Parameters (in)	addressAreaId	Numeric identifier of address area.
	address	Logical start address of the address area to identify the Mem driver to be locked.
	length	Length of the address area to identify the Mem driver to be locked.
	lockNotificationFctPtr	Pointer to address area lock notification callback function.





Parameters (inout)	None	
Parameters (out)	None	
Return value	Std_ReturnType	E_OK: The requested job has been accepted by the module. E_NOT_OK: The requested job has been rejected by the module
Description	Request lock of an address area for exclusive access. Once the lock is granted, the referenced lock notification function is called by MemAcc.	
Available via	MemAcc.h	

]([SRS_MemHwAb_14038](#), [SRS_MemHwAb_14039](#), [SRS_MemHwAb_14055](#))

[SWS_MemAcc_00115] [[MemAcc_RequestLock](#) shall lock all memory accesses of the Mem driver referenced by the [addressAreaId](#), [address](#) and [length](#) parameter. If an upper layer calls a MemAcc service function for an address area which is locked for direct memory access, MemAcc shall still accept the memory access request for the address area but shall not forward the access request to the corresponding Mem driver until the lock request is released by the [MemAcc_ReleaseLock](#) service.] ([SRS_MemHwAb_14038](#))

[SWS_MemAcc_00116] [MemAcc shall wait until the address area referenced by [addressAreaId](#) is idle before it calls the lock notification function referenced by [lockNotificationFctPtr](#) to notify the upper layer module that the lock of the address area was successfully acquired.] ([SRS_MemHwAb_14055](#))

[SWS_MemAcc_00099] [If development error detection is enabled by [MemAccDevErrorDetect](#), the service [MemAcc_RequestLock](#) shall check that the MemAcc module has been initialized. If this check fails, [MemAcc_RequestLock](#) shall raise the development error MEMACC_E_UNINIT.] ([SRS_BSW_00406](#))

[SWS_MemAcc_00071] [If development error detection is enabled by [MemAccDevErrorDetect](#), the service [MemAcc_RequestLock](#) shall check that the provided [addressAreaId](#) is consistent with the configuration. If this check fails, [MemAcc_RequestLock](#) shall raise the development error MEMACC_E_PARAM_ADDRESS_AREA_ID.] ([SRS_BSW_00323](#))

[SWS_MemAcc_00072] [If development error detection is enabled by [MemAccDevErrorDetect](#), the service [MemAcc_RequestLock](#) shall raise the development error MEMACC_E_PARAM_POINTER if the [lockNotificationFctPtr](#) argument is a NULL pointer.] ([SRS_BSW_00323](#))

[SWS_MemAcc_00073] [If development error detection is enabled by [MemAccDevErrorDetect](#), the service [MemAcc_RequestLock](#) shall raise the development error MEMACC_E_PARAM_ADDRESS_LENGTH if the address range defined by [address](#) and [length](#) is invalid, i.e. not mapped to a specific Mem driver.] ([SRS_BSW_00323](#))

8.3.2.9 MemAcc_ReleaseLock

[SWS_MemAcc_10031]{DRAFT} [

Service Name	MemAcc_ReleaseLock (draft)	
Syntax	<pre>Std_ReturnType MemAcc_ReleaseLock (MemAcc_AddressAreaIdType addressAreaId, MemAcc_AddressType address, MemAcc_LengthType length)</pre>	
Service ID [hex]	0x12	
Sync/Async	Synchronous	
Reentrancy	Reentrant	
Parameters (in)	addressAreaId	Numeric identifier of address area.
	address	Logical start address to identify lock area.
	length	Length to identify lock area.
Parameters (inout)	None	
Parameters (out)	None	
Return value	Std_ReturnType	E_OK: The requested job has been accepted by the module. E_NOT_OK: The requested job has been rejected by the module.
Description	Release access lock of provided address area. Tags: atp.Status=draft	
Available via	MemAcc.h	

]([SRS_MemHwAb_14055](#))

[SWS_MemAcc_00076] [If development error detection is enabled by [MemAccDevErrorDetect](#), the service [MemAcc_ReleaseLock](#) shall check that the MemAcc module has been initialized. If this check fails, [MemAcc_ReleaseLock](#) shall raise the development error MEMACC_E_UNINIT.]([SRS_BSW_00406](#), [SRS_MemHwAb_14038](#))

[SWS_MemAcc_00093] [If development error detection is enabled by [MemAccDevErrorDetect](#), the service [MemAcc_ReleaseLock](#) shall check that the provided [addressAreaId](#) is consistent with the configuration. If this check fails, [MemAcc_ReleaseLock](#) shall raise the development error MEMACC_E_PARAM_ADDRESS_AREA_ID.]([SRS_BSW_00323](#))

[SWS_MemAcc_00077] [If development error detection is enabled by [MemAccDevErrorDetect](#), the service [MemAcc_ReleaseLock](#) shall raise the development error MEMACC_E_PARAM_ADDRESS_LENGTH if the address range defined by [address](#) and [length](#) is invalid, i.e. not mapped to a specific Mem driver.]([SRS_BSW_00323](#))

8.4 Callback Notifications

MemAcc does not provide any call-back notification functions.

8.5 Scheduled Functions

These functions are directly called by Basic Software Scheduler. The following functions shall have no return value and no parameter. All functions shall be non reentrant.

8.5.1 MemAcc_MainFunction

[SWS_MemAcc_10017] [

Service Name	MemAcc_MainFunction
Syntax	void MemAcc_MainFunction (void)
Service ID [hex]	0x03
Sync/Async	Synchronous
Reentrancy	Non Reentrant
Parameters (in)	None
Parameters (inout)	None
Parameters (out)	None
Return value	None
Description	Service to handle the requested jobs and the internal management operations. Depending on the configuration MemAcc will call the Mem driver main functions.
Available via	MemAcc.h

](SRS_MemHwAb_14047)

[SWS_MemAcc_00084] [If [MemAccMemInvocation](#) is set to `INDIRECT_DYNAMIC` or `INDIRECT_STATIC`, MemAcc shall call all Mem main functions within [MemAcc_MainFunction](#).

[MemAcc_MainFunction](#) shall only call the Mem main function if there is a job request pending for the corresponding Mem driver.](SRS_MemHwAb_14047)

8.6 Expected Interfaces

In this chapter all interfaces required from other modules are listed.

8.6.1 Mandatory Interfaces

This section defines all interfaces, which are required to fulfill the core functionality of the module.

[SWS_MemAcc_10036] [

API Function	Header File	Description
Mem_BlankCheck	Mem.h	Triggers a job to check the erased state of the page which is referenced by targetAddress. The result of this service can be retrieved using the Mem_GetJobResult API. If the checked page is blank, the result of the job is MEM_JOB_OK. Otherwise, if the page is not blank, the result is MEM_INCONSISTENT.
Mem_Erase	Mem.h	Triggers an erase job of the given sector/sector batch defined by targetAddress and length. The result of this service can be retrieved using the Mem_GetJobResult API. If the erase operation was successful, the result of the job is MEM_JOB_OK. If the erase operation failed, e.g. due to a hardware issue, the result of the job is MEM_JOB_FAILED.
Mem_GetJobResult	Mem.h	Service to return results of the most recent job.
Mem_HwSpecificService (draft)	Mem.h	Triggers a hardware specific memory driver job. dataPtr can be used to pass and return data to/from this service. This service is just a dispatcher to the hardware specific service implementation referenced by hwServiceId. The result of this service can be retrieved using the Mem_GetJobResult API. If the hardware specific operation was successful, the result of the job is MEM_JOB_OK. If the hardware specific operation failed, the result of the job is MEM_JOB_FAILED. Tags: atp.Status=draft
Mem_Init	Mem.h	Initialization function - initializes all variables and sets the module state to initialized.
Mem_MainFunction	Mem.h	Service to handle the requested jobs and the internal management operations.
Mem_PropagateError	Mem.h	This service can be used to report an access error in case the Mem driver cannot provide the access error information - typically for ECC faults. It is called by the system ECC handler to propagate an ECC error to the memory upper layers..
Mem_Read	Mem.h	Triggers a read job to copy the from the source address into the referenced destination data buffer. The result of this service can be retrieved using the Mem_GetJobResult API. If the read operation was successful, the result of the job is MEM_JOB_OK. If the read operation failed, the result of the job is either MEM_JOB_FAILED in case of a general error or MEM_ECC_CORRECTED/MEM_ECC_UNCORRECTED in case of a correctable/uncorrectable ECC error.
Mem_Write	Mem.h	Triggers a write job to store the passed data to the provided address area with given address and length. The result of this service can be retrieved using the Mem_GetJobResult API. If the write operation was successful, the job result is MEM_JOB_OK. If there was an issue writing the data, the result is MEM_FAILED.

](SRS_BSW_00415)

8.6.2 Optional Interfaces

This section defines all interfaces, which are required to fulfill an optional functionality of the module.

[SWS_MemAcc_10035] [

API Function	Header File	Description
Det_ReportError	Det.h	Service to report development errors.

]([SRS_BSW_00415](#))

8.6.3 Configurable Interfaces

In this chapter all interfaces are listed where the target function could be configured. The target function is usually a callback function. The names of this kind of interfaces are not fixed because they are configurable.

8.6.3.1 <AddressAreaJobEndNotification>

[SWS_MemAcc_10029]{DRAFT} [

Service Name	<AddressAreaJobEndNotification> (draft)	
Syntax	<pre>void <AddressAreaJobEndNotification> (MemAcc_AddressAreaIdType addressAreaId, MemAcc_JobResultType jobResult)</pre>	
Sync/Async	Synchronous	
Reentrancy	Reentrant	
Parameters (in)	addressAreaId	Numeric identifier of address area.
	jobResult	Result of the last MemAcc operation.
Parameters (inout)	None	
Parameters (out)	None	
Return value	None	
Description	MemAcc application job end notification callback. The function name is configurable. Tags: atp.Status=draft	
Available via	configurable	

]([SRS_MemHwAb_14041](#))

8.6.3.2 <ApplicationLockNotification>

[SWS_MemAcc_10032]{DRAFT} [

Service Name	<ApplicationLockNotification> (draft)
Syntax	void <ApplicationLockNotification> (void)
Sync/Async	Synchronous
Reentrancy	Reentrant
Parameters (in)	None
Parameters (inout)	None
Parameters (out)	None
Return value	None
Description	Address area lock application callback. The function name is configurable. Tags: atp.Status=draft
Available via	configurable

]([SRS_MemHwAb_14055](#))

8.7 Service Interfaces

The MemAcc module does not provide any service interfaces.

9 Sequence Diagrams

9.1 Job Handling with Result Polling

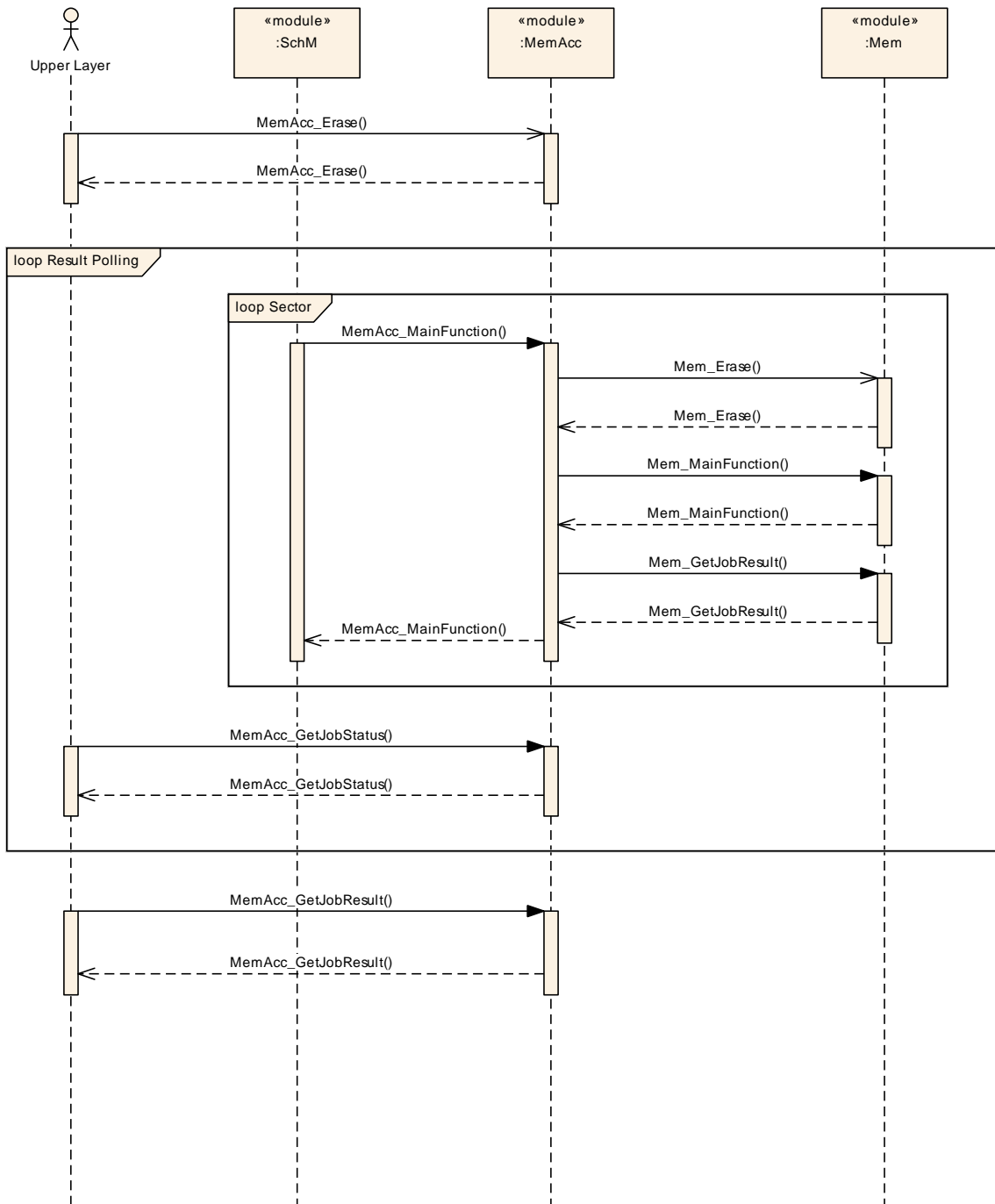


Figure 9.1: Job Handling with Result Polling

9.2 Job Handling with Job End Notification

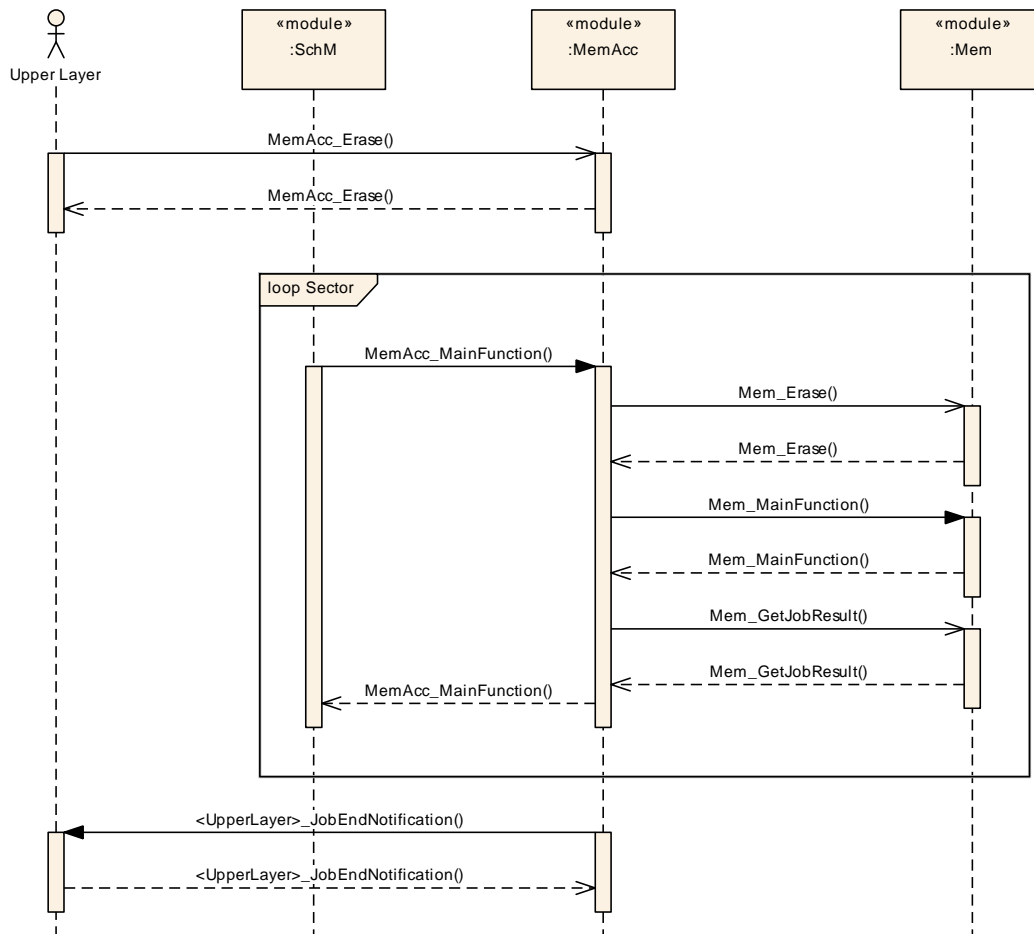


Figure 9.2: Job Handling with Job End Notification

9.3 Mem Driver Initialization by MemAcc

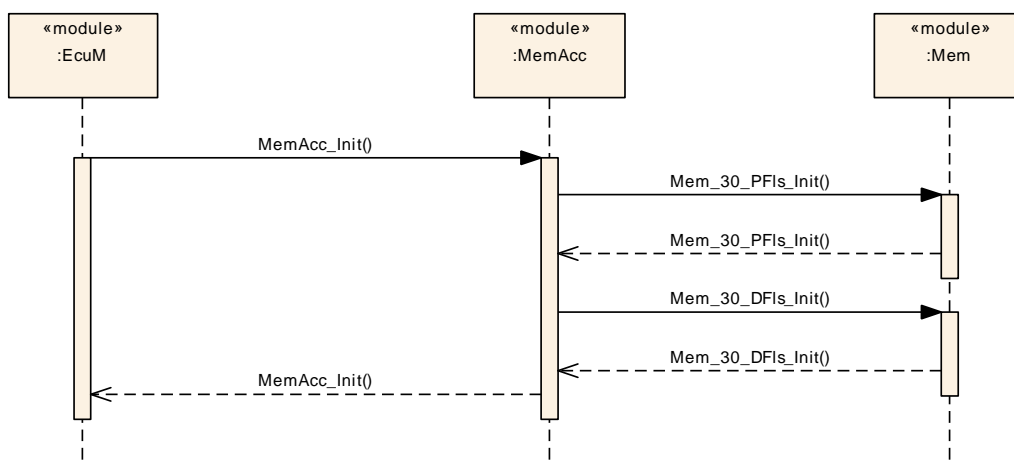


Figure 9.3: Mem Driver Initialization by MemAcc

9.4 Mem Driver Initialization by EcuM

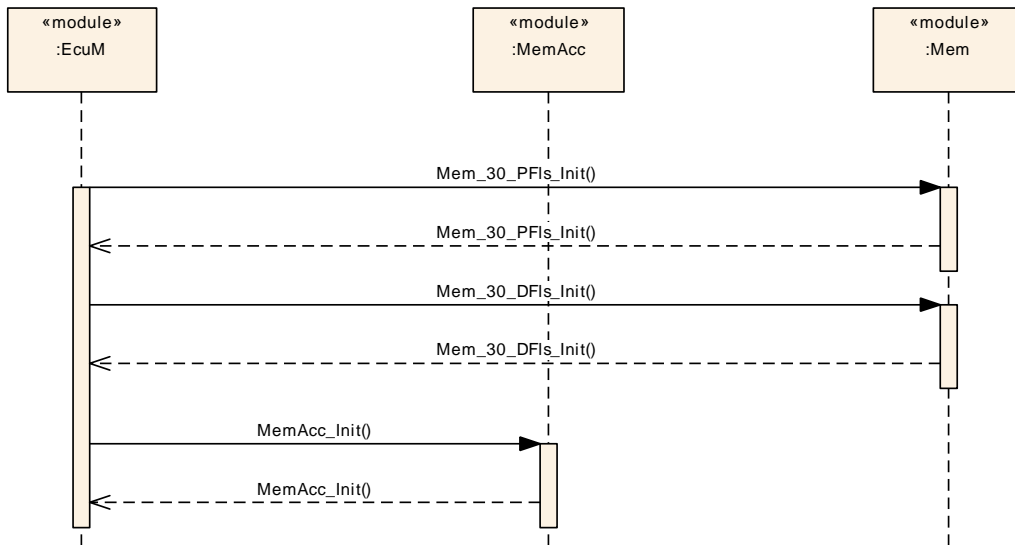


Figure 9.4: Mem Driver initialization by EcuM

9.5 Mem Driver Scheduling by MemAcc

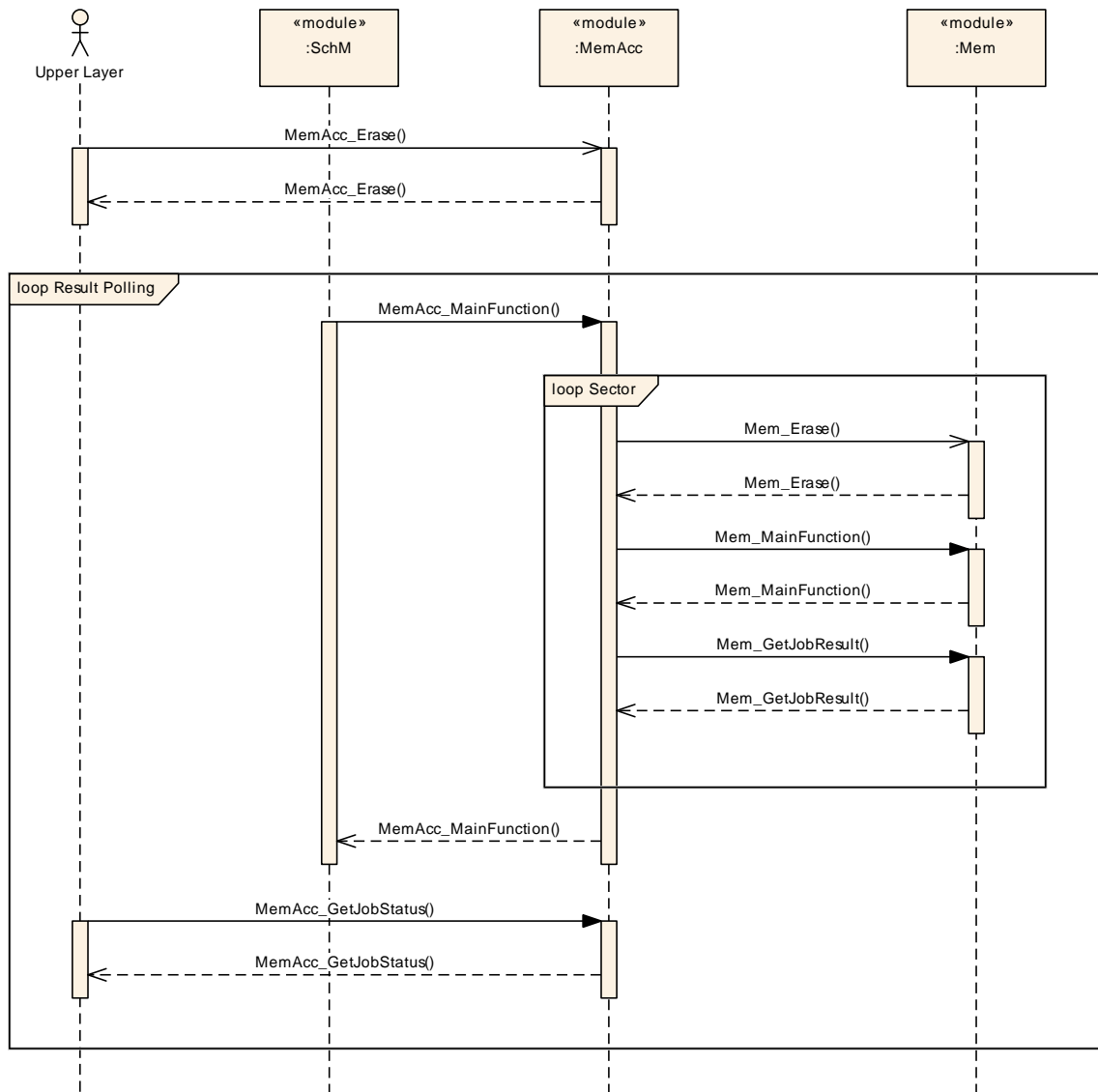


Figure 9.5: Mem Driver Scheduling by MemAcc

9.6 Mem Driver Scheduling by SchM

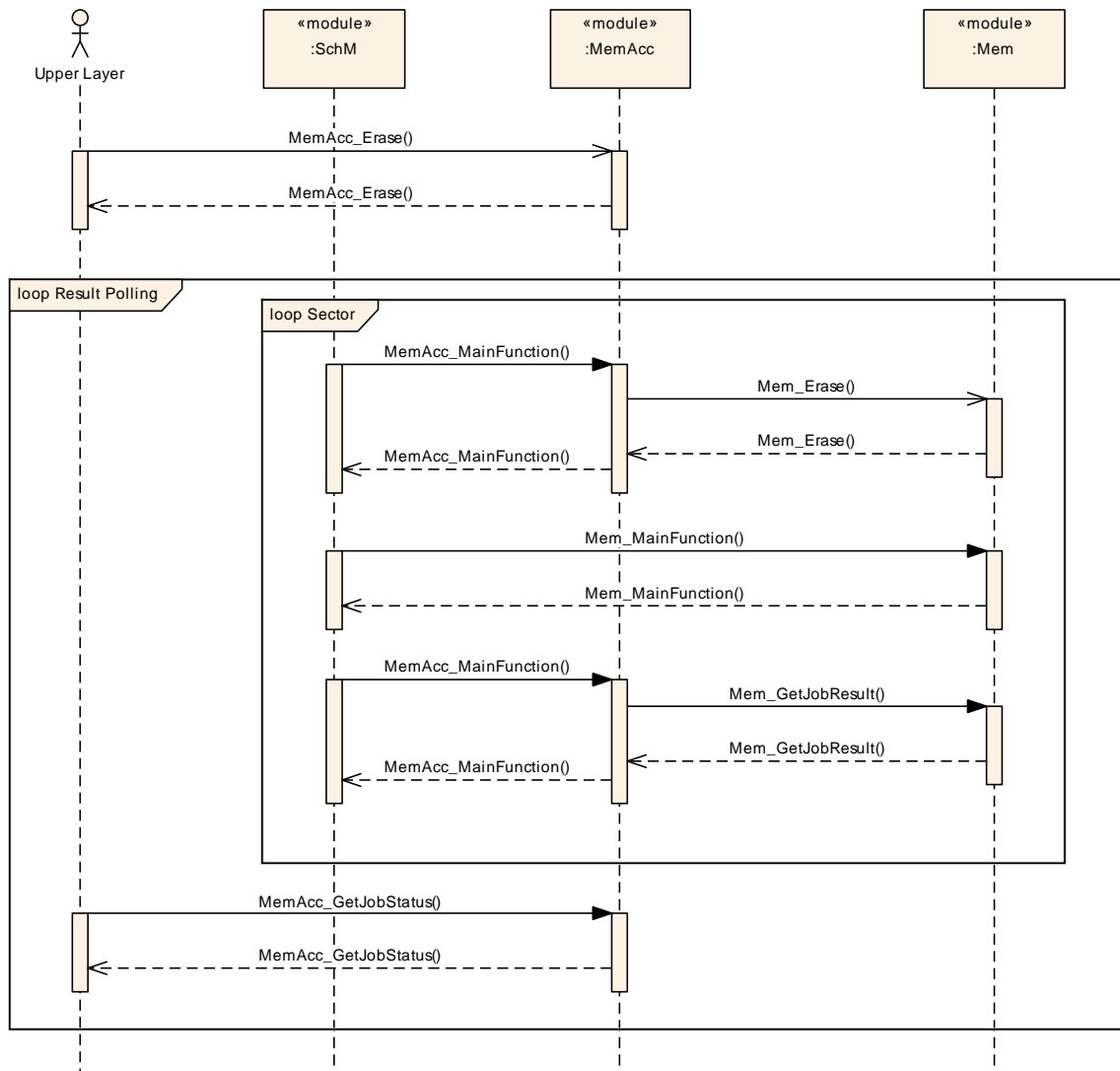


Figure 9.6: Mem Driver Scheduling by SchM

9.7 Generic Lock Sequence

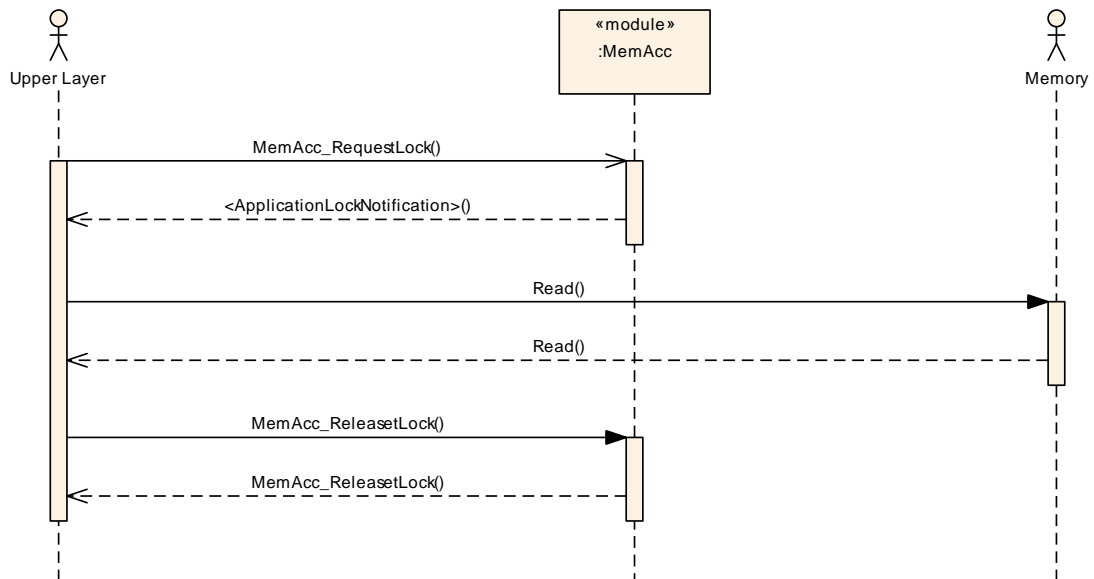


Figure 9.7: Example Lock/Unlock Sequence

10 Configuration Specification

In general, this chapter defines configuration parameters and their clustering into containers. In order to support the specification chapter 10.1 describes fundamentals. It also specifies a template (table) you shall use for the parameter specification. We intend to leave chapter 10.1 in the specification to guarantee comprehension.

Chapter 10.2 specifies the structure (containers) and the parameters of the module MemAcc.

Chapter 10.3 specifies published information of the module MemAcc.

10.1 How to Read this Chapter

For details refer to the chapter 10.1 “Introduction to configuration specification” in SWS_BSWGeneral.

10.2 Containers and Configuration Parameters

The following chapters summarize all configuration parameters. The detailed meanings of the parameters describe chapter 7 and chapter 8.

10.2.1 MemAcc

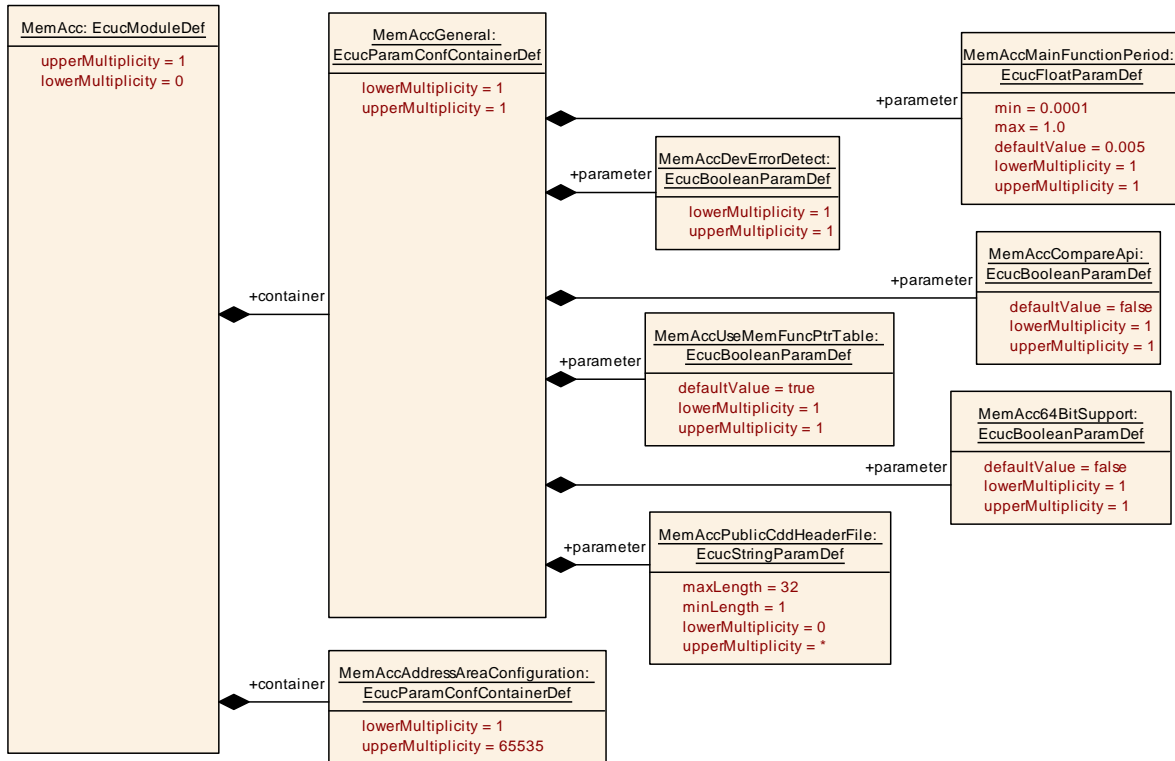


Figure 10.1: MemAcc

SWS Item	[ECUC_MemAcc_00001]
Module Name	MemAcc
Description	<p>The MemAcc (Memory Access module) coordinates the memory access by multiple users in order to avoid conflicts with this shared memory resource.</p> <p>The module abstracts from the memory device specific addressing scheme and provides a logical addressing scheme to the upper layer.</p>
Post-Build Variant Support	false
Supported Config Variants	VARIANT-POST-BUILD, VARIANT-PRE-COMPILE

Included Containers		
Container Name	Multiplicity	Scope / Dependency
MemAccAddressAreaConfiguration	1..65535	<p>This container includes the configuration of AddressArea specific parameters for the MemAcc module.</p> <p>An AddressArea is a logical area of memory. Upper layers only use logical addresses to access the address area. It is the job of MemAcc to map between logical and physical addresses. An AddressArea contains SubAddressAreas and each SubAddressArea is part of a physically continuous memory area (sector batch).</p>
MemAccGeneral	1	General configuration parameters of the MemAcc.

SWS Item	[ECUC_MemAcc_00002]		
Container Name	MemAccGeneral		
Parent Container	MemAcc		
Description	General configuration parameters of the MemAcc.		
Configuration Parameters			

SWS Item	[ECUC_MemAcc_00024]		
Parameter Name	MemAcc64BitSupport		
Parent Container	MemAccGeneral		
Description	If this option is selected, the address type shall be implemented in 64Bit.		
Multiplicity	1		
Type	EcucBooleanParamDef		
Default value	false		
Post-Build Variant Value	false		
Value Configuration Class	Pre-compile time	X	All Variants
	Link time	–	
	Post-build time	–	
Scope / Dependency	scope: local		

SWS Item	[ECUC_MemAcc_00006]		
Parameter Name	MemAccCompareApi		
Parent Container	MemAccGeneral		
Description	This parameter enables/disables the function MemAcc_Compare(). This function allows to compare data stored in a buffer with data stored in memory.		
Multiplicity	1		
Type	EcucBooleanParamDef		
Default value	false		
Post-Build Variant Value	false		
Value Configuration Class	Pre-compile time	X	All Variants
	Link time	–	
	Post-build time	–	
Scope / Dependency	scope: local		

SWS Item	[ECUC_MemAcc_00005]		
Parameter Name	MemAccDevErrorDetect		
Parent Container	MemAccGeneral		
Description	Switches the development error detection and notification on or off.		
Multiplicity	1		
Type	EcucBooleanParamDef		
Default value	–		
Post-Build Variant Value	false		
Value Configuration Class	Pre-compile time	X	All Variants
	Link time	–	
	Post-build time	–	
Scope / Dependency	scope: local		

SWS Item	[ECUC_MemAcc_00004]		
Parameter Name	MemAccMainFunctionPeriod		
Parent Container	MemAccGeneral		
Description	<p>This value specifies the fixed call cycle for MemAcc_MainFunction().</p> <p>Additionally, if a job is ongoing on a Mem, the underlying Mem_MainFunction will be triggered directly by MemAcc at this fixed call cycle.</p> <p>MemAcc does not depend on a fixed cycle time; in can be triggered at arbitrary rates.</p> <p>Tags: atp.Status=draft</p>		
Multiplicity	1		
Type	EcucFloatParamDef		
Range	[1E-4 .. 1]		
Default value	0.005		
Post-Build Variant Value	false		
Value Configuration Class	Pre-compile time	X	All Variants
	Link time	–	
	Post-build time	–	
Scope / Dependency	scope: local		

SWS Item	[ECUC_MemAcc_00028]		
Parameter Name	MemAccPublicCddHeaderFile		
Parent Container	MemAccGeneral		
Description	<p>Defines header files for callback functions which shall be included in case of CDDs.</p> <p>Range of characters is 1.. 32.</p>		
Multiplicity	0..*		
Type	EcucStringParamDef		
Default value	–		
Length	1-32		
Regular Expression	–		
Post-Build Variant Multiplicity	false		
Post-Build Variant Value	false		
Multiplicity Configuration Class	Pre-compile time	X	All Variants
	Link time	–	
	Post-build time	–	
Value Configuration Class	Pre-compile time	X	All Variants
	Link time	–	
	Post-build time	–	
Scope / Dependency	scope: local		

SWS Item	[ECUC_MemAcc_00007]		
Parameter Name	MemAccUseMemFuncPtrTable		
Parent Container	MemAccGeneral		
Description	<p>This parameter defines if the Mem driver functions are called using the Mem function pointer table API.</p> <p>Tags: atp.Status=draft</p>		
Multiplicity	1		
Type	EcucBooleanParamDef		
Default value	true		
Post-Build Variant Value	false		





Value Configuration Class	Pre-compile time	X	All Variants
	Link time	–	
	Post-build time	–	
Scope / Dependency	scope: local		

No Included Containers

10.2.2 MemAccAddressAreaConfiguration

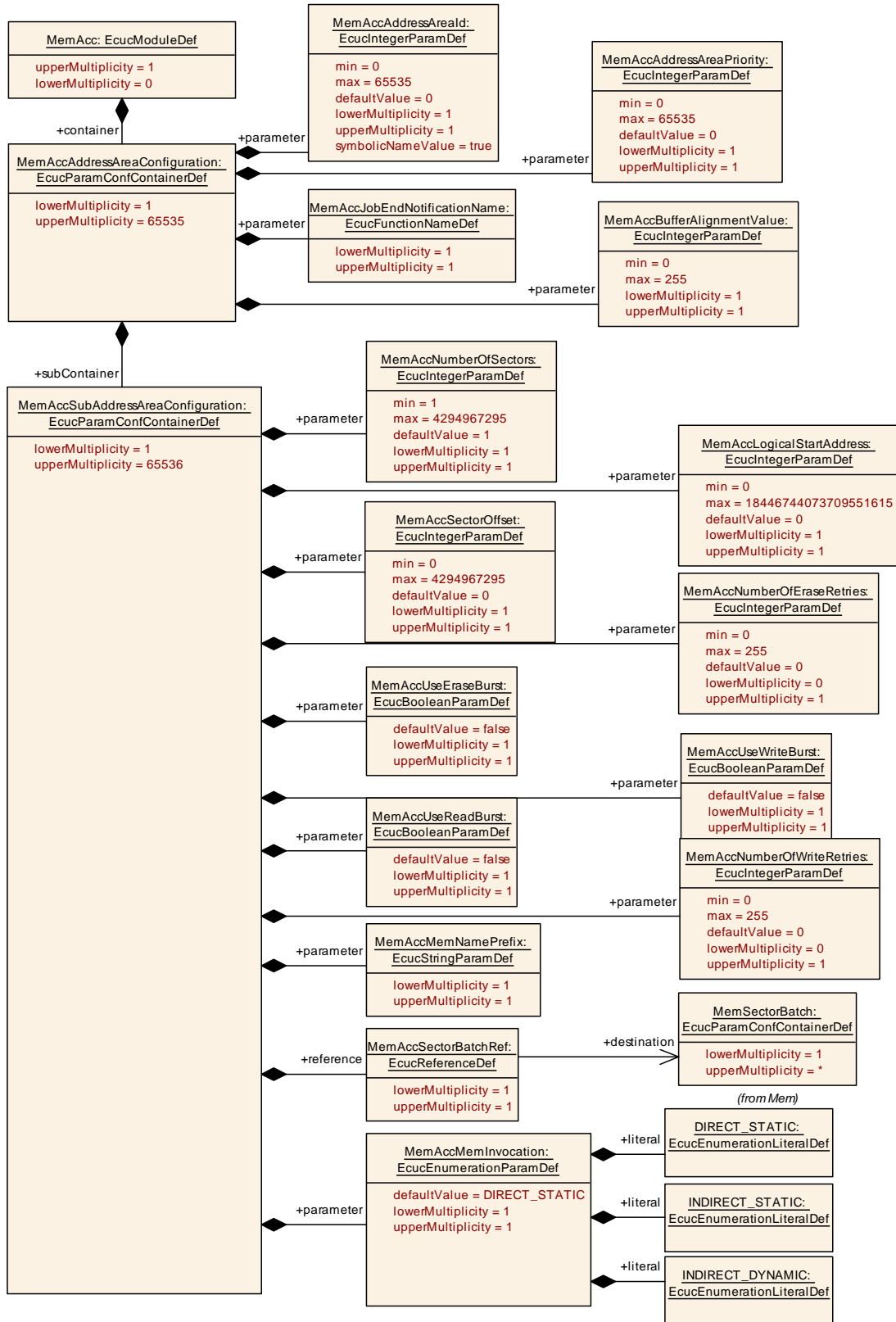


Figure 10.2: MemAccAddressAreaConfiguration

SWS Item	[ECUC_MemAcc_00010]		
Container Name	MemAccAddressAreaConfiguration		
Parent Container	MemAcc		
Description	<p>This container includes the configuration of AddressArea specific parameters for the MemAcc module.</p> <p>An AddressArea is a logical area of memory. Upper layers only use logical addresses to access the address area. It is the job of MemAcc to map between logical and physical addresses. An AddressArea contains SubAddressAreas and each Sub AddressArea is part of a physically continuous memory area (sector batch).</p>		
Post-Build Variant Multiplicity	true		
Multiplicity Configuration Class	Pre-compile time	X	VARIANT-PRE-COMPILE
	Link time	–	
	Post-build time	X	VARIANT-POST-BUILD
Configuration Parameters			

SWS Item	[ECUC_MemAcc_00011]		
Parameter Name	MemAccAddressAreaId		
Parent Container	MemAccAddressAreaConfiguration		
Description	<p>This value specifies a unique identifier which is used to reference to an AddressArea.</p> <p>This identifier is used as parameter for MemAcc jobs in order to distinguish between several AddressAreas with the same logical addresses.</p>		
Multiplicity	1		
Type	EcucIntegerParamDef (Symbolic Name generated for this parameter)		
Range	0 .. 65535		
Default value	0		
Post-Build Variant Value	false		
Value Configuration Class	Pre-compile time	X	All Variants
	Link time	–	
	Post-build time	–	
Scope / Dependency	scope: local		

SWS Item	[ECUC_MemAcc_00012]		
Parameter Name	MemAccAddressAreaPriority		
Parent Container	MemAccAddressAreaConfiguration		
Description	<p>This value specifies the priority of an AddressArea compared to other AddressAreas (0 = lowest priority, 65535 = highest priority).</p> <p>For each AddressArea only one job can be processed at a time. MemAcc processes the jobs priority based. In case a job with a higher priority is requested by an upper layer, the lower priority jobs are suspended until the higher priority job is completed.</p>		
Multiplicity	1		
Type	EcucIntegerParamDef		
Range	0 .. 65535		
Default value	0		
Post-Build Variant Value	true		
Value Configuration Class	Pre-compile time	X	VARIANT-PRE-COMPILE
	Link time	–	
	Post-build time	X	VARIANT-POST-BUILD
Scope / Dependency	scope: local		

SWS Item	[ECUC_MemAcc_00025]		
Parameter Name	MemAccBufferAlignmentValue		
Parent Container	MemAccAddressAreaConfiguration		
Description	Buffer alignment value inherited by MemAcc upper layer modules.		
Multiplicity	1		
Type	EcucIntegerParamDef		
Range	0 .. 255		
Default value	-		
Post-Build Variant Value	false		
Value Configuration Class	Pre-compile time	X	All Variants
	Link time	-	
	Post-build time	-	
Scope / Dependency	scope: local		

SWS Item	[ECUC_MemAcc_00027]		
Parameter Name	MemAccJobEndNotificationName		
Parent Container	MemAccAddressAreaConfiguration		
Description	Job end notification function which is called after MemAcc job completion. If this parameter is left empty, no job end notification is triggered and the upper layer module needs to poll the job results.		
Multiplicity	1		
Type	EcucFunctionNameDef		
Default value	-		
Regular Expression	-		
Post-Build Variant Value	false		
Value Configuration Class	Pre-compile time	X	All Variants
	Link time	-	
	Post-build time	-	
Scope / Dependency			

Included Containers		
Container Name	Multiplicity	Scope / Dependency
MemAccSubAddressAreaConfiguration	1..65536	This container includes the configuration parameters for a physically continuous area of memory.

10.2.3 MemAccSubAddressAreaConfiguration

SWS Item	[ECUC_MemAcc_00013]		
Container Name	MemAccSubAddressAreaConfiguration		
Parent Container	MemAccAddressAreaConfiguration		
Description	This container includes the configuration parameters for a physically continuous area of memory.		
Post-Build Variant Multiplicity	true		
Multiplicity Configuration Class	Pre-compile time	X	VARIANT-PRE-COMPILE
	Link time	-	





	Post-build time	X	VARIANT-POST-BUILD
Configuration Parameters			

SWS Item	[ECUC_MemAcc_00015]		
Parameter Name	MemAccLogicalStartAddress		
Parent Container	MemAccSubAddressAreaConfiguration		
Description	This value specifies the logical start address of the SubAddressArea.		
Multiplicity	1		
Type	EcucIntegerParamDef		
Range	0 .. 18446744073709551615		
Default value	0		
Post-Build Variant Value	true		
Value Configuration Class	Pre-compile time	X	VARIANT-PRE-COMPILE
	Link time	–	
	Post-build time	X	VARIANT-POST-BUILD
Scope / Dependency	scope: local		

SWS Item	[ECUC_MemAcc_00026]		
Parameter Name	MemAccMemInvocation		
Parent Container	MemAccSubAddressAreaConfiguration		
Description	Defines how the Mem driver services are accessed and how the Mem driver is scheduled and activated/initialized. Tags: atp.Status=draft		
Multiplicity	1		
Type	EcucEnumerationParamDef		
Range	DIRECT_STATIC	Mem driver is linked with application. Mem service functions are directly called by MemAcc. Mem_Init is called by EcuM and Mem_Main Function is triggered by SchM. Tags: atp.Status=draft	
	INDIRECT_DYNAMIC	Mem driver is linked as a separate binary and is dynamically activated. MemAcc will use Mem driver header table to invoke Mem service functions. Call of Mem_Init and Mem_Main Function is handled by MemAcc. Tags: atp.Status=draft	
	INDIRECT_STATIC	Mem driver is linked with application. MemAcc will use Mem driver header table to invoke Mem service functions. Call of Mem_Init and Mem_MainFunction is handled by MemAcc. Tags: atp.Status=draft	
Default value	DIRECT_STATIC		
Post-Build Variant Value	false		
Value Configuration Class	Pre-compile time	X	All Variants
	Link time	–	
	Post-build time	–	
Scope / Dependency			

SWS Item	[ECUC_MemAcc_00017]		
Parameter Name	MemAccMemNamePrefix		
Parent Container	MemAccSubAddressAreaConfiguration		
Description	Depending on the MemAccUseMemFuncPtrTable configuration, this prefix is either used to reference the Mem driver header structure or the according Mem API function. Tags: atp.Status=draft		
Multiplicity	1		
Type	EcucStringParamDef		
Default value	–		
Regular Expression	–		
Post-Build Variant Value	false		
Value Configuration Class	Pre-compile time	X	All Variants
	Link time	–	
	Post-build time	–	
Scope / Dependency	scope: local		

SWS Item	[ECUC_MemAcc_00021]		
Parameter Name	MemAccNumberOfEraseRetries		
Parent Container	MemAccSubAddressAreaConfiguration		
Description	This value specifies the number of retries of a failed erase job. 0: No retry, a failed job will be aborted immediately > 0: Retry the number of times before aborting the job. Tags: atp.Status=draft		
Multiplicity	0..1		
Type	EcucIntegerParamDef		
Range	0 .. 255		
Default value	0		
Post-Build Variant Multiplicity	false		
Post-Build Variant Value	true		
Multiplicity Configuration Class	Pre-compile time	X	All Variants
	Link time	–	
	Post-build time	–	
Value Configuration Class	Pre-compile time	X	VARIANT-PRE-COMPILE
	Link time	–	
	Post-build time	X	VARIANT-POST-BUILD
Scope / Dependency	scope: local		

SWS Item	[ECUC_MemAcc_00014]		
Parameter Name	MemAccNumberOfSectors		
Parent Container	MemAccSubAddressAreaConfiguration		
Description	This value specifies the number of physical sectors of the SubAddressArea.		
Multiplicity	1		
Type	EcucIntegerParamDef		
Range	1 .. 4294967295		
Default value	1		
Post-Build Variant Value	true		
Value Configuration Class	Pre-compile time	X	VARIANT-PRE-COMPILE





	Link time	–	
	Post-build time	X	VARIANT-POST-BUILD
Scope / Dependency	scope: local		

SWS Item	[ECUC_MemAcc_00020]		
Parameter Name	MemAccNumberOfWriteRetries		
Parent Container	MemAccSubAddressAreaConfiguration		
Description	This value specifies the number of retries of a failed write job. 0: No retry, a failed job will be aborted immediately > 0: Retry the number of times before aborting the job. Tags: atp.Status=draft		
Multiplicity	0..1		
Type	EcucIntegerParamDef		
Range	0 .. 255		
Default value	0		
Post-Build Variant Multiplicity	false		
Post-Build Variant Value	true		
Multiplicity Configuration Class	Pre-compile time	X	All Variants
	Link time	–	
	Post-build time	–	
Value Configuration Class	Pre-compile time	X	VARIANT-PRE-COMPILE
	Link time	–	
	Post-build time	X	VARIANT-POST-BUILD
Scope / Dependency	scope: local		

SWS Item	[ECUC_MemAcc_00016]		
Parameter Name	MemAccSectorOffset		
Parent Container	MemAccSubAddressAreaConfiguration		
Description	This value specifies the sector offset of the SubAddressArea in case the SubAddress Area should not start with the first sector of the referenced MemSectorBatch.		
Multiplicity	1		
Type	EcucIntegerParamDef		
Range	0 .. 4294967295		
Default value	0		
Post-Build Variant Value	true		
Value Configuration Class	Pre-compile time	X	VARIANT-PRE-COMPILE
	Link time	–	
	Post-build time	X	VARIANT-POST-BUILD
Scope / Dependency	scope: local		

SWS Item	[ECUC_MemAcc_00018]		
Parameter Name	MemAccUseEraseBurst		
Parent Container	MemAccSubAddressAreaConfiguration		
Description	This parameter enables erase bursting for the related sub address area.		
Multiplicity	1		
Type	EcucBooleanParamDef		
Default value	false		





Post-Build Variant Value	true		
Value Configuration Class	Pre-compile time	X	VARIANT-PRE-COMPILE
	Link time	–	
	Post-build time	X	VARIANT-POST-BUILD
Scope / Dependency	scope: local		

SWS Item	[ECUC_MemAcc_00022]		
Parameter Name	MemAccUseReadBurst		
Parent Container	MemAccSubAddressAreaConfiguration		
Description	This parameter enables read bursting for the related sub address area.		
Multiplicity	1		
Type	EcucBooleanParamDef		
Default value	false		
Post-Build Variant Value	true		
Value Configuration Class	Pre-compile time	X	VARIANT-PRE-COMPILE
	Link time	–	
	Post-build time	X	VARIANT-POST-BUILD
Scope / Dependency	scope: local		

SWS Item	[ECUC_MemAcc_00019]		
Parameter Name	MemAccUseWriteBurst		
Parent Container	MemAccSubAddressAreaConfiguration		
Description	This parameter enables write bursting for the related sub address area.		
Multiplicity	1		
Type	EcucBooleanParamDef		
Default value	false		
Post-Build Variant Value	true		
Value Configuration Class	Pre-compile time	X	VARIANT-PRE-COMPILE
	Link time	–	
	Post-build time	X	VARIANT-POST-BUILD
Scope / Dependency	scope: local		

SWS Item	[ECUC_MemAcc_00023]		
Parameter Name	MemAccSectorBatchRef		
Parent Container	MemAccSubAddressAreaConfiguration		
Description	Reference to MemSectorBatch mapped to the SubAddressArea.		
Multiplicity	1		
Type	Reference to MemSectorBatch		
Post-Build Variant Value	true		
Value Configuration Class	Pre-compile time	X	VARIANT-PRE-COMPILE
	Link time	–	
	Post-build time	X	VARIANT-POST-BUILD
Scope / Dependency	scope: local		

No Included Containers

10.3 Published Information

For details, refer to the section 10.3 “Published Information” in [\[2, SWS BSW General\]](#).