

Document Title	Specification of EEPROM Driver
Document Owner	AUTOSAR
Document Responsibility	AUTOSAR
Document Identification No	21
Document Status	published
Part of AUTOSAR Standard	Classic Platform
Part of Standard Release	R21-11

Document Change History			
Date	Release	Changed by	Change Description
2021-11-25	R21-11	AUTOSAR Release Management	<ul style="list-style-type: none"> Removed SWS_Eep_00047 EepJobCallCycle renamed to EepMainFunctionPeriod and moved from EepInitConfiguration to EepGeneral
2020-11-30	R20-11	AUTOSAR Release Management	<ul style="list-style-type: none"> Editorial Changes
2019-11-28	R19-11	AUTOSAR Release Management	<ul style="list-style-type: none"> MCAL Multicore Distribution concept is changed from draft to Final Changed Document Status from Final to published
2018-10-31	4.4.0	AUTOSAR Release Management	<ul style="list-style-type: none"> MCAL Multicore Distribution
2017-12-08	4.3.1	AUTOSAR Release Management	<ul style="list-style-type: none"> Changed EEP_E_TIMEOUT and EEP_E_BUSY from Development error to Runtime error Changed description of ECUC_Eep_00189
2016-11-30	4.3.0	AUTOSAR Release Management	<ul style="list-style-type: none"> Obsolete chapter "7.11 Support for Debugging" and sub chapter "10.2.1 Variants" are removed Byte-wise read/write/erase access adaptation Alignment of DataBuffers passed to functions

Document Change History			
Date	Release	Changed by	Change Description
2015-07-31	4.2.2	AUTOSAR Release Management	<ul style="list-style-type: none"> • DET renaming and adaptation • Chapter 7 adaptation for error classification
2014-10-31	4.2.1	AUTOSAR Release Management	<ul style="list-style-type: none"> • Added pass/fail criteria and additional attributes for extended production errors • Removed redundant SWS IDs with respect to NULL_PTR check for Eep_Init()
2014-03-31	4.1.3	AUTOSAR Release Management	<ul style="list-style-type: none"> • Corrected formatting of requirements SWS_Eep_00102, SWS_Eep_00068 and SWS_Eep_00137
2013-10-31	4.1.2	AUTOSAR Release Management	<ul style="list-style-type: none"> • Removed the 'Timing' row from the Eep_MainFunction API table • Editorial changes • Removed chapter(s) on change documentation
2013-03-15	4.1.1	AUTOSAR Administration	<ul style="list-style-type: none"> • MemMap.h changed to Eep_MemMap.h • Added Extended Production Errors
2011-12-22	4.0.3	AUTOSAR Administration	<ul style="list-style-type: none"> • Min max values of FloatParamDef parameters added for EEP178 & EEP185 • Replaced Module short name by module abbreviation
2010-09-30	3.1.5	AUTOSAR Administration	<ul style="list-style-type: none"> • Added DET errors EEP_E_PARAM_POINTER, EEP_E_TIMEOUT • Version check section (section 7.10) modified

Document Change History			
Date	Release	Changed by	Change Description
2010-02-02	3.1.4	AUTOSAR Administration	<ul style="list-style-type: none"> • Made hidden text visible in SWS_Eep_00003, SWS_Eep_00030, SWS_Eep_00128 • Clarified optional callback notifications • Reworked external SPI EEPROM configuration example • Support VARIANT-POST-BUILD instead of VARIANT-LINK-TIME • Clarified synchronous behavior of Eep_Cancel() • Added support for debugging • Added DEM error codes for HW failure, removed SPI error • Changed job result to MEMIF_BLOCK_INCONSISTENT for differing data compare job • Replaced Gpt_Init() with Eep_Init() • Made Dem_ReportErrorStatus() a mandatory interface • Legal disclaimer revised
2008-08-13	3.1.1	AUTOSAR Administration	<ul style="list-style-type: none"> • Legal disclaimer revised
2007-12-21	3.0.1	AUTOSAR Administration	<ul style="list-style-type: none"> • Minor rewording of requirement (SWS_Eep_00005). • Introduction of new requirements (SWS_Eep_00161 and SWS_Eep_00162) for NULL_PTR check. • Updates to SWS_Eep_00028 and Figure 4 to correct spelling of MEMIF_JOB_CANCELLED • Document meta information extended • Small layout adaptations made

Document Change History			
Date	Release	Changed by	Change Description
2007-01-24	2.1.15	AUTOSAR Administration	<ul style="list-style-type: none"> • Constant name correction • Limitation of erase cycles • Link-time configuration versus config pointer check • Job result for compare jobs is not specified • • Legal disclaimer revised • Release Notes added • “Advice for users” revised • “Revision Information” added
2006-05-16	2.0	AUTOSAR Administration	<ul style="list-style-type: none"> • Document structure adapted to common Release 2.0 SWS Template. • adaptation to the new memory abstraction architecture • cancel function now asynchronous • deletion of two specifications elements that could lead to a misinterpretation of the described "write-cycle-reduction" functionality
2005-05-31	1.0	AUTOSAR Administration	<ul style="list-style-type: none"> • Initial Release

Disclaimer

This work (specification and/or software implementation) and the material contained in it, as released by AUTOSAR, is for the purpose of information only. AUTOSAR and the companies that have contributed to it shall not be liable for any use of the work.

The material contained in this work is protected by copyright and other types of intellectual property rights. The commercial exploitation of the material contained in this work requires a license to such intellectual property rights.

This work may be utilized or reproduced without any modification, in any form or by any means, for informational purposes only. For any other purpose, no part of the work may be utilized or reproduced, in any form or by any means, without permission in writing from the publisher.

The work has been developed for automotive applications only. It has neither been developed, nor tested for non-automotive applications.

The word AUTOSAR and the AUTOSAR logo are registered trademarks.

Table of Contents

1	Introduction and functional overview	8
2	Acronyms and abbreviations.....	9
3	Related documentation	10
3.1	Input documents	10
3.2	Related specification.....	11
4	Constraints and assumptions.....	12
4.1	Limitations	12
4.2	Applicability to car domains	12
4.3	Applicability to safety related environments	12
5	Dependencies to other modules	13
5.1	File structure	13
6	Requirements traceability	14
7	Functional specification.....	19
7.1	General behavior	19
7.2	Error classification	19
7.2.1	Development Errors.....	20
7.2.2	Runtime Errors	20
7.2.3	Transient Faults.....	20
7.2.4	Production Errors.....	20
7.2.5	Extended Production Errors	20
7.3	Error detection	22
7.3.1	API parameter checking	23
7.3.2	EEPROM state checking.....	23
7.3.3	EEPROM job encounters Hardware Failure	23
7.3.4	Timeout Supervision.....	24
7.4	Error notification.....	24
7.5	Processing of jobs – general requirements.....	24
7.6	Processing of read jobs	25
7.7	Processing of write jobs.....	26
7.8	Processing of erase jobs	28
7.9	Processing of compare jobs	28
7.10	Version check	29
8	API specification.....	30
8.1	Imported types	30
8.2	Type definitions.....	30
8.2.1	Eep_ConfigType.....	30
8.2.2	Eep_AddressType	30
8.2.3	Eep_LengthType	31
8.3	Function definitions.....	31
8.3.1	Eep_Init.....	31
8.3.2	Eep_SetMode.....	32
8.3.3	Eep_Read.....	33
8.3.4	Eep_Write	34

8.3.5	Eep_Erase	35
8.3.6	Eep_Compare	36
8.3.7	Eep_Cancel	38
8.3.8	Eep_GetStatus	39
8.3.9	Eep_GetJobResult	40
8.3.10	Eep_GetVersionInfo	40
8.4	Callback notifications	41
8.5	Scheduled functions	41
8.5.1	Eep_MainFunction.....	41
8.6	Expected Interfaces	43
8.6.1	Mandatory Interfaces.....	43
8.6.2	Optional Interfaces	44
8.6.3	Configurable interfaces	44
9	Sequence diagrams	47
9.1	Initialization	47
9.2	Read/write/erase/compare	47
9.3	Cancelation of a running job	49
10	Configuration specification	50
10.1	How to read this chapter	50
10.2	Containers and configuration parameters	51
10.2.1	Eep.....	51
10.2.2	EepGeneral.....	51
10.2.3	EepInitConfiguration	54
10.2.4	EepDemEventParameterRefs	57
10.2.5	EepExternalDriver	58
10.2.6	SPI specific extension	59
10.3	Published parameters.....	59
10.3.1	Basic subset	59
10.3.2	SPI specific extension	60
10.3.3	EepPublishedInformation	60
10.4	Configuration example—external SPI EEPROM device	63
10.4.1	External SPI EEPROM device usage scenario.....	63
10.4.2	Configuration of SPI parameters	64
10.4.3	Generation of SPI configuration data	65
10.4.4	SPI API usage	65
11	Not applicable requirements	67

1 Introduction and functional overview

This specification describes the functionality and API for an EEPROM driver. This specification is applicable to drivers for both internal and external EEPROMs.

The EEPROM driver provides services for reading, writing, erasing to/from an EEPROM. It also provides a service for comparing a data block in the EEPROM with a data block in the memory (e.g. RAM).

The behaviour of those services is asynchronous.

A driver for an internal EEPROM accesses the microcontroller hardware directly and is located in the Microcontroller Abstraction Layer. A driver for an external EEPROM uses handlers (SPI in most cases) or drivers to access the external EEPROM device. It is located in the ECU Abstraction Layer.

The functional requirements and the functional scope are the same for both types of drivers. Hence the API is semantically identical.

2 Acronyms and abbreviations

Acronyms and abbreviations which have a local scope and therefore are not contained in the AUTOSAR glossary must appear in a local glossary.

Acronym:	Description:
Data block	<p>A data block may contain 1..n bytes and is used within the API of the EEPROM driver.</p> <p>Data blocks are passed with</p> <ul style="list-style-type: none"> • Address offset in EEPROM • Pointer to memory location • Length <p>to the EEPROM driver.</p>
Data unit	<p>The smallest data entity in EEPROM. The entities may differ for read/write/erase operation.</p> <p>Example 1: Motorola STAR12 Read: 1 byte Write: 2 bytes Erase: 4 bytes</p> <p>Example 2: external SPI EEPROM device Read/Write/Erase: 1 byte</p>
Normal mode Burst mode	<p>Some external SPI EEPROM devices provide the possibility of different access modes:</p> <ul style="list-style-type: none"> • Normal mode: The data exchange with the EEPROM device via SPI is performed byte wise. This allows for cooperative SPI usage together with other SPI devices like I/O ASICs, external watchdogs etc. • Burst mode: The data exchange with the EEPROM device via SPI is performed block wise. The block size depends on the EEPROM properties, an example is 64 bytes. Because large blocks are transferred, the SPI is blocked by the EEPROM access in burst mode. This mode is used during ECU start-up and shut-down phases where fast reading/writing of data is required.
EEPROM cell	Smallest physical unit of an EEPROM device that holds the data. Usually 1 byte.

Abbreviation:	Description:
EEPROM	Electrically Erasable and Programmable Read Only Memory
NVRAM	Non Volatile Random Access Memory
NvM	Module name of NVRAM Manager
EcuM	Module name of ECU State Manager
DEM	Module name of Diagnostic Event Manager
DET	Module name of Default Error Tracer

3 Related documentation

3.1 Input documents

- [1] Layered Software Architecture
AUTOSAR_EXP_LayeredSoftwareArchitecture.pdf
- [2] General Requirements on Basic Software Modules
AUTOSAR_SRS_BSWGeneral.pdf
- [3] General Requirements on SPAL
AUTOSAR_SRS_SPALGeneral.pdf
- [4] Specification of Memory Abstraction Interface
AUTOSAR_SWS_MemoryAbstractionInterface.pdf
- [5] Specification of SPI Handler/Driver
AUTOSAR_SWS_SPIHandlerDriver.pdf
- [6] Specification of ECU Configuration
AUTOSAR_TPS_ECUConfiguration.pdf
- [7] Requirements on EEPROM Driver
AUTOSAR_SRS_EEPROMDriver.pdf
- [8] Specification of Default Error Tracer
AUTOSAR_SWS_DefaultErrorTracer.pdf
- [9] Specification of Diagnostics Event Manager
AUTOSAR_SWS_DiagnosticEventManager.pdf
- [10] AUTOSAR Glossary
AUTOSAR_TR_Glossary.pdf
- [11] Specification of MCU Driver
AUTOSAR_SWS_MCUDriver.pdf
- [12] Basic Software Module Description Template
AUTOSAR_TPS_BSWModuleDescriptionTemplate.pdf
- [13] List of Basic Software Modules
AUTOSAR_TR_BSWModuleList.pdf
- [14] General Specification of Basic Software Modules
AUTOSAR_SWS_BSWGeneral.pdf

3.2 Related specification

AUTOSAR provides a General Specification on Basic Software modules [14] (SWS BSW General), which is also valid for EEPROM Driver.

Thus, the specification SWS BSW General shall be considered as additional and required specification for EEPROM Driver.

4 Constraints and assumptions

4.1 Limitations

The EEPROM driver does not provide mechanisms for providing data integrity (e.g. checksums, redundant storage, etc.).

The setting of the EEPROM write protection is not provided.

4.2 Applicability to car domains

No restrictions.

4.3 Applicability to safety related environments

This module can be used within safety relevant systems if the upper layer software provides following mechanisms for safety related data:

- Checksum protection
- Checking integrity before using data
- Redundant storage
- Verification of data after it has been written to EEPROM. For this, the compare function of the EEPROM driver can be used

5 Dependencies to other modules

There are two classes of EEPROM drivers:

1. EEPROM drivers for onchip EEPROM.
These are part of the Microcontroller Abstraction Layer.
2. EEPROM drivers for external EEPROM devices.
These are part of the ECU Abstraction Layer.

[SWS_Eep_00082] [The source code of external EEPROM drivers shall be independent of the microcontroller platform.] ()

The internal EEPROM may depend on the system clock, prescaler(s) and PLL. Thus, changes of the system clock (e.g. PLL on → PLL off) may also affect the clock settings of the EEPROM hardware. Module EEPROM Driver do not take care of setting the registers which configure the clock, prescaler(s) and PLL in its init function. This has to be done by the MCU module [11].

A driver for an external EEPROM depends on the API and capabilities of the used onboard communication handler (e.g. SPI Handler/Driver).

EEPROM driver is part of Memory Abstraction Architecture and for this reason some types depend on Memory Interface (MemIf) module.

5.1 File structure

[SWS_Eep_00228] [If the module implementation uses custom interrupt processing, the interrupt service routines shall be placed in `Eep_Irq.c`] ()

6 Requirements traceability

Requirement	Description	Satisfied by
SRS_BSW_00005	Modules of the $\hat{\mu}$ C Abstraction Layer (MCAL) may not have hard coded horizontal interfaces	SWS_Eep_00241
SRS_BSW_00006	The source code of software modules above the $\hat{\mu}$ C Abstraction Layer (MCAL) shall not be processor and compiler dependent.	SWS_Eep_00241
SRS_BSW_00007	All Basic SW Modules written in C language shall conform to the MISRA C 2012 Standard.	SWS_Eep_00241
SRS_BSW_00009	All Basic SW Modules shall be documented according to a common standard.	SWS_Eep_00241
SRS_BSW_00010	The memory consumption of all Basic SW Modules shall be documented for a defined configuration for all supported platforms.	SWS_Eep_00241
SRS_BSW_00101	The Basic Software Module shall be able to initialize variables and hardware in a separate initialization function	SWS_Eep_00004
SRS_BSW_00161	The AUTOSAR Basic Software shall provide a microcontroller abstraction layer which provides a standardized interface to higher software layers	SWS_Eep_00241
SRS_BSW_00162	The AUTOSAR Basic Software shall provide a hardware abstraction layer	SWS_Eep_00241
SRS_BSW_00164	The Implementation of interrupt service routines shall be done by the Operating System, complex drivers or modules	SWS_Eep_00241
SRS_BSW_00168	SW components shall be tested by a function defined in a common API in the Basis-SW	SWS_Eep_00241
SRS_BSW_00170	The AUTOSAR SW Components shall provide information about their dependency from faults, signal qualities, driver demands	SWS_Eep_00241
SRS_BSW_00172	The scheduling strategy that is built inside the Basic Software Modules shall be compatible with the strategy used in the system	SWS_Eep_00241
SRS_BSW_00301	All AUTOSAR Basic Software Modules shall only import the necessary information	SWS_Eep_00241
SRS_BSW_00302	All AUTOSAR Basic Software Modules shall only export information needed by other modules	SWS_Eep_00241
SRS_BSW_00306	AUTOSAR Basic Software Modules shall be compiler and platform independent	SWS_Eep_00241
SRS_BSW_00307	Global variables naming convention	SWS_Eep_00241
SRS_BSW_00308	AUTOSAR Basic Software Modules shall not define global data in their header files, but in the C file	SWS_Eep_00241
SRS_BSW_00309	All AUTOSAR Basic Software Modules shall indicate all global data with read-only	SWS_Eep_00241

	purposes by explicitly assigning the const keyword	
SRS_BSW_00312	Shared code shall be reentrant	SWS_Eep_00241
SRS_BSW_00323	All AUTOSAR Basic Software Modules shall check passed API parameters for validity	SWS_Eep_00016, SWS_Eep_00017, SWS_Eep_00018
SRS_BSW_00325	The runtime of interrupt service routines and functions that are running in interrupt context shall be kept short	SWS_Eep_00241
SRS_BSW_00328	All AUTOSAR Basic Software Modules shall avoid the duplication of code	SWS_Eep_00241
SRS_BSW_00330	It shall be allowed to use macros instead of functions where source code is used and runtime is critical	SWS_Eep_00241
SRS_BSW_00331	All Basic Software Modules shall strictly separate error and status information	SWS_Eep_00241
SRS_BSW_00334	All Basic Software Modules shall provide an XML file that contains the meta data	SWS_Eep_00241
SRS_BSW_00335	Status values naming convention	SWS_Eep_00138
SRS_BSW_00336	Basic SW module shall be able to shutdown	SWS_Eep_00241
SRS_BSW_00337	Classification of development errors	SWS_Eep_00000, SWS_Eep_00200, SWS_Eep_00201, SWS_Eep_00202, SWS_Eep_00203
SRS_BSW_00341	Module documentation shall contains all needed informations	SWS_Eep_00241
SRS_BSW_00342	It shall be possible to create an AUTOSAR ECU out of modules provided as source code and modules provided as object code, even mixed	SWS_Eep_00241
SRS_BSW_00343	The unit of time for specification and configuration of Basic SW modules shall be preferably in physical time unit	SWS_Eep_00241
SRS_BSW_00347	A Naming separation of different instances of BSW drivers shall be in place	SWS_Eep_00241
SRS_BSW_00357	For success/failure of an API call a standard return type shall be defined	SWS_Eep_00138
SRS_BSW_00369	All AUTOSAR Basic Software Modules shall not return specific development error codes via the API	SWS_Eep_00033
SRS_BSW_00375	Basic Software Modules shall report wake-up reasons	SWS_Eep_00241
SRS_BSW_00377	A Basic Software Module can return a module specific types	SWS_Eep_00138
SRS_BSW_00378	AUTOSAR shall provide a boolean type	SWS_Eep_00241
SRS_BSW_00385	List possible error notifications	SWS_Eep_00000
SRS_BSW_00390	Parameter content shall be unique within the module	SWS_Eep_00094, SWS_Eep_00095

SRS_BSW_00398	The link-time configuration is achieved on object code basis in the stage after compiling and before linking	SWS_Eep_00094
SRS_BSW_00399	Parameter-sets shall be located in a separate segment and shall be loaded after the code	SWS_Eep_00241
SRS_BSW_00400	Parameter shall be selected from multiple sets of parameters after code has been loaded and started	SWS_Eep_00241
SRS_BSW_00401	Documentation of multiple instances of configuration parameters shall be available	SWS_Eep_00241
SRS_BSW_00402	Each module shall provide version information	SWS_Eep_00095
SRS_BSW_00406	A static status variable denoting if a BSW module is initialized shall be initialized with value 0 before any APIs of the BSW module is called	SWS_Eep_00006, SWS_Eep_00033
SRS_BSW_00413	An index-based accessing of the instances of BSW modules shall be done	SWS_Eep_00241
SRS_BSW_00416	The sequence of modules to be initialized shall be configurable	SWS_Eep_00241
SRS_BSW_00417	Software which is not part of the SW-C shall report error events only after the DEM is fully operational.	SWS_Eep_00241
SRS_BSW_00422	Pre-de-bouncing of error status information is done within the DEM	SWS_Eep_00241
SRS_BSW_00423	BSW modules with AUTOSAR interfaces shall be describable with the means of the SW-C Template	SWS_Eep_00241
SRS_BSW_00424	BSW module main processing functions shall not be allowed to enter a wait state	SWS_Eep_00241
SRS_BSW_00426	BSW Modules shall ensure data consistency of data which is shared between BSW modules	SWS_Eep_00241
SRS_BSW_00427	ISR functions shall be defined and documented in the BSW module description template	SWS_Eep_00241
SRS_BSW_00428	A BSW module shall state if its main processing function(s) has to be executed in a specific order or sequence	SWS_Eep_00241
SRS_BSW_00429	Access to OS is restricted	SWS_Eep_00241
SRS_BSW_00432	Modules should have separate main processing functions for read/receive and write/transmit data path	SWS_Eep_00241
SRS_BSW_00433	Main processing functions are only allowed to be called from task bodies provided by the BSW Scheduler	SWS_Eep_00241
SRS_Eep_00087	The EEPROM driver shall provide an asynchronous read function	SWS_Eep_00009, SWS_Eep_00013, SWS_Eep_00256
SRS_Eep_00088	The EEPROM driver shall provide an asynchronous write function	SWS_Eep_00014, SWS_Eep_00015,

		SWS_Eep_00063, SWS_Eep_00090, SWS_Eep_00256
SRS_Eep_00089	The EEPROM driver shall provide an asynchronous erase function	SWS_Eep_00019, SWS_Eep_00020, SWS_Eep_00070, SWS_Eep_00072
SRS_Eep_00090	The EEPROM driver shall provide a synchronous cancel function	SWS_Eep_00021, SWS_Eep_00027, SWS_Eep_00028, SWS_Eep_00215, SWS_Eep_00216
SRS_Eep_00091	The EEPROM driver shall provide a synchronous function which returns the job processing status	SWS_Eep_00029
SRS_Eep_00092	The EEPROM driver shall only write data if at least one data value of the affected erasable block is different from the data value to be written	SWS_Eep_00060, SWS_Eep_00064
SRS_Eep_00094	The EEPROM driver shall handle the EEPROM memory segmentation	SWS_Eep_00063, SWS_Eep_00070, SWS_Eep_00072, SWS_Eep_00090
SRS_Eep_00095	The EEPROM driver shall handle only one job at the same time	SWS_Eep_00033, SWS_Eep_00036
SRS_Eep_12047	The EEPROM driver shall provide a function that has to be called for job processin	SWS_Eep_00030, SWS_Eep_00032
SRS_Eep_12050	The job processing function of the EEPROM driver shall process only as much data as the EEPROM hardware can handle	SWS_Eep_00051, SWS_Eep_00054, SWS_Eep_00057, SWS_Eep_00069
SRS_Eep_12051	The same requirements shall apply for an external and internal EEPROM driver	SWS_Eep_00088
SRS_Eep_12072	In fast mode, one cycle of the job processing function of the EEPROM driver shall limit the block size that is read from EEPROM to the configured maximum block size	SWS_Eep_00054, SWS_Eep_00055, SWS_Eep_00073
SRS_Eep_12091	The EEPROM driver shall provide an asynchronous compare function	SWS_Eep_00025, SWS_Eep_00026, SWS_Eep_00256
SRS_Eep_12124	The EEPROM driver for an external SPI EEPROM device shall access the SPI depending on the current EEPROM mode	SWS_Eep_00052, SWS_Eep_00053, SWS_Eep_00055, SWS_Eep_00073
SRS_Eep_12156	The EEPROM driver shall provide a synchronous selection function	SWS_Eep_00042, SWS_Eep_00130, SWS_Eep_00132
SRS_Eep_12157	In normal mode, one cycle of the job processing function of the EEPROM driver shall limit the block size that is read from EEPROM to the configured default block size	SWS_Eep_00051, SWS_Eep_00052, SWS_Eep_00053
SRS_SPAL_00157	All drivers and handlers of the AUTOSAR	SWS_Eep_00024,

	Basic Software shall implement notification mechanisms of drivers and handlers	SWS_Eep_00029, SWS_Eep_00045, SWS_Eep_00046
SRS_SPAL_12056	All driver modules shall allow the static configuration of notification mechanism	SWS_Eep_00049
SRS_SPAL_12057	All driver modules shall implement an interface for initialization	SWS_Eep_00004
SRS_SPAL_12063	All driver modules shall only support raw value mode	SWS_Eep_00241
SRS_SPAL_12064	All driver modules shall raise an error if the change of the operation mode leads to degradation of running operations	SWS_Eep_00033
SRS_SPAL_12067	All driver modules shall set their wake-up conditions depending on the selected operation mode	SWS_Eep_00241
SRS_SPAL_12068	The modules of the MCAL shall be initialized in a defined sequence	SWS_Eep_00241
SRS_SPAL_12069	All drivers of the SPAL that wake up from a wake-up interrupt shall report the wake-up reason	SWS_Eep_00241
SRS_SPAL_12075	All drivers with random streaming capabilities shall use application buffers	SWS_Eep_00037
SRS_SPAL_12077	All drivers shall provide a non blocking implementation	SWS_Eep_00241
SRS_SPAL_12078	The drivers shall be coded in a way that is most efficient in terms of memory and runtime resources	SWS_Eep_00241
SRS_SPAL_12092	The driver's API shall be accessed by its handler or manager	SWS_Eep_00241
SRS_SPAL_12129	The ISRs shall be responsible for resetting the interrupt flags and calling the according notification function	SWS_Eep_00241
SRS_SPAL_12163	All driver modules shall implement an interface for de-initialization	SWS_Eep_00241
SRS_SPAL_12265	Configuration data shall be kept constant	SWS_Eep_00241
SRS_SPAL_12267	Wakeup sources shall be initialized by MCAL drivers and/or the MCU driver	SWS_Eep_00241
SRS_SPAL_12448	All driver modules shall have a specific behavior after a development error detection	SWS_Eep_00016, SWS_Eep_00017, SWS_Eep_00018, SWS_Eep_00033

7 Functional specification

7.1 General behavior

[SWS_Eep_00088] [The Eep SWS shall be valid both for internal and external EEPROMs.]

The Eep SWS defines asynchronous services for EEPROM operations (read/write/erase/compare).] (SRS_Eep_12051)

[SWS_Eep_00036] [The Eep module shall not buffer jobs. The Eep module shall accept only one job at a time. During job processing, the Eep module shall accept no other job.] (SRS_Eep_00095)

Note: when running in production mode it is assumed that the Eep user will never issue jobs concurrently; therefore error handling for this requirement is restricted to development, see [SWS_Eep_00033](#).

[SWS_Eep_00037] [The Eep module shall not buffer data to be read or written. The Eep module shall use application data buffers that are referenced by a pointer passed via the API.] (SRS_SPAL_12075)

[SWS_Eep_00256] [Eep driver shall handle data buffer alignment internally. Instead of imposing any requirements on a RAM buffers' alignments (as they are uint8*) it shall handle passed pointers as being just byte-aligned.] (SRS_Eep_00087, SRS_Eep_00088, SRS_Eep_12091)

7.2 Error classification

This section describes how the Eep module has to manage the several error classes that may occur during the life cycle of this basic software.

The general requirements document of AUTOSAR [2] specifies that all basic software modules must distinguish (according to the product life cycle) 3 error types:

- Development errors: These errors should be detected and fixed during development phase. In most cases, these errors are software errors.
- Runtime errors: These errors are software exceptions that may occur in the production (i.e. series) code, due to software real time
- Production errors: These errors are hardware errors and software exceptions that cannot be avoided and are expected to occur in the production (i.e. series) code.

7.2.1 Development Errors

[SWS_Eep_00000]

<i>Type of error</i>	<i>Related error code</i>	<i>Error value</i>
Invalid configuration set selection	EEP_E_INIT_FAILED	0x10
Invalid configuration set selection	EEP_E_PARAM_ADDRESS	0x11
Invalid configuration set selection	EEP_E_PARAM_DATA	0x12
Invalid configuration set selection	EEP_E_PARAM_LENGTH	0x13
API service called without module initialization	EEP_E_UNINIT	0x20
API service called with a NULL pointer	EEP_E_PARAM_POINTER	0x23

](SRS_BSW_00337, SRS_BSW_00385)

7.2.2 Runtime Errors

[SWS_Eep_00251]

<i>Type of error</i>	<i>Related error code</i>	<i>Error value</i>
API service called while driver still busy	EEP_E_BUSY	0x21
Timeout exceeded	EEP_E_TIMEOUT	0x22

]()

7.2.3 Transient Faults

There are no transient faults.

7.2.4 Production Errors

There are no production errors.

7.2.5 Extended Production Errors

7.2.5.1 EEP_E_ERASE_FAILED

[SWS_Eep_00242]

Error Name:	EEP E ERASE FAILED		
Short Description:	EEPROM erase failed (HW)		
Long Description:	The Eeprom module reports this error when EEPROM erase job fails due to a hardware error.		
Detection Criteria:	Fail	EEPROM	erase job failed (see SWS Eep_00255).

	Pass	EEPROM erase job finished successfully (see SWS_Eep_00244).
Secondary Parameters:	N/A	
Time Required:	N/A	
Monitor Frequency	Implementation specific	

[SWS_Eep_00255] 「The production error code EEP_E_ERASE_FAILED shall be reported with FAILED when the Eeprom erase function failed.」() (SRS_BSW_00337, SRS_BSW_00385, SRS_BSW_00327, SRS_BSW_00331)

[SWS_Eep_00244] 「The production error code EEP_E_ERASE_FAILED shall be reported with PASSED when the Eeprom erase function was executed successfully.」() (SRS_BSW_00337, SRS_BSW_00385, SRS_BSW_00327, SRS_BSW_00331)

7.2.5.2 EEP_E_WRITE_FAILED

[SWS_Eep_00243]

Error Name:	EEP_E_WRITE_FAILED	
Short Description:	EEPROM write failed (HW)	
Long Description:	The Eeprom module reports this error when EEPROM write job fails due to a hardware error.	
Detection Criteria:	Fail	EEPROM write job failed (see SWS_Eep_00249).
	Pass	EEPROM write job finished successfully (see SWS_Eep_00248).
Secondary Parameters:	N/A	
Time Required:	N/A	
Monitor Frequency	Implementation specific	

[SWS_Eep_00249] 「The production error code EEP_E_WRITE_FAILED shall be reported with FAILED when the Eeprom write function failed」() (SRS_BSW_00337, SRS_BSW_00385, SRS_BSW_00327, SRS_BSW_00331)

[SWS_Eep_00248] 「The production error code EEP_E_WRITE_FAILED shall be reported with PASSED when the Eeprom write function was executed successfully.」() (SRS_BSW_00337, SRS_BSW_00385, SRS_BSW_00327, SRS_BSW_00331)

7.2.5.3 EEP_E_READ_FAILED

[SWS_Eep_00244]

Error Name:	EEP_E_READ_FAILED	
Short Description:	EEPROM read failed (HW)	
Long Description:	The Eeprom module reports this error when EEPROM read	

	job fails due to a hardware error.	
Detection Criteria:	Fail	EEPROM read job failed (see SWS Eep_00250).
	Pass	EEPROM read job finished successfully (see SWS Eep_00252).
Secondary Parameters:	N/A	
Time Required:	N/A	
Monitor Frequency	Implementation specific	

[SWS_Eep_00250] 「The production error code EEP_E_READ_FAILED shall be reported with FAILED when the Eeprom read function failed.」() (SRS_BSW_00337, SRS_BSW_00385, SRS_BSW_00327, SRS_BSW_00331)

[SWS_Eep_00252] 「The production error code EEP_E_READ_FAILED shall be reported with PASSED when the Eeprom read function was executed successfully.」() (SRS_BSW_00337, SRS_BSW_00385, SRS_BSW_00327, SRS_BSW_00331)

7.2.5.4 EEP_E_COMPARE_FAILED

[SWS_Eep_00245]

Error Name:	EEP_E_COMPARE_FAILED	
Short Description:	EEPROM compare failed (HW)	
Long Description:	The Eeprom module reports this error when EEPROM compare job fails due to a hardware error.	
Detection Criteria:	Fail	EEPROM compare job failed (see SWS Eep_00253).
	Pass	EEPROM compare job finished successfully (see SWS Eep_00254).
Secondary Parameters:	N/A	
Time Required:	N/A	
Monitor Frequency	Implementation specific	

[SWS_Eep_00253] 「The production error code EEP_E_COMPARE_FAILED shall be reported with FAILED when the Eeprom compare function failed.」() (SRS_BSW_00337, SRS_BSW_00385, SRS_BSW_00327, SRS_BSW_00331)

[SWS_Eep_00254] 「The production error code EEP_E_COMPARE_FAILED shall be reported with PASSED when the Eeprom compare function was executed successfully.」() (SRS_BSW_00337, SRS_BSW_00385, SRS_BSW_00327, SRS_BSW_00331)

7.3 Error detection

For details refer to the chapter 7.3 “Error Detection” in *SWS_BSWGeneral*.

7.3.1 API parameter checking

[SWS_Eep_00016] [If development error detection for the module Eep is enabled: the functions `Eep_Read()`, `Eep_Write()`, `Eep_Compare()` and `Eep_Erase()` shall check that `DataBufferPtr` is not NULL. If `DataBufferPtr` is NULL, they shall raise development error `EEP_E_PARAM_DATA`, otherwise (if no development error detection is enabled) it shall return with `E_NOT_OK`.] (SRS_BSW_00323, SRS_SPAL_12448)

[SWS_Eep_00017] [If development error detection for the module Eep is enabled: the functions `Eep_Read()`, `Eep_Write()`, `Eep_Compare()` and `Eep_Erase()` shall check that `EepromAddress` is valid. If `EepromAddress` is not within the valid EEPROM address range they shall raise development error `EEP_E_PARAM_ADDRESS`, otherwise (if no development error detection is enabled) it shall return with `E_NOT_OK`.] (SRS_BSW_00323, SRS_SPAL_12448)

[SWS_Eep_00018] [If development error detection for the module Eep is enabled: the functions `Eep_Read()`, `Eep_Write()`, `Eep_Compare()` and `Eep_Erase()` shall check that the parameter `Length` is within the specified minimum and maximum values:

- Min.: 1
- Max.: `EepSize - EepromAddress`

If the parameter `Length` is not within the specified minimum and maximum values, they shall raise development error `EEP_E_PARAM_LENGTH`, otherwise (if no development error detection is enabled) it shall return with `E_NOT_OK`.] (SRS_BSW_00323, SRS_SPAL_12448)

7.3.2 EEPROM state checking

[SWS_Eep_00033] [The functions `Eep_SetMode()`, `Eep_Read()`, `Eep_Write()`, `Eep_Compare()` and `Eep_Erase()` shall check the EEPROM state for being `MEMIF_IDLE`. If the EEPROM state is not `MEMIF_IDLE`, the called function shall

- raise the development error `EEP_E_UNINIT` if the module has not been initialized yet and if development error detection for the module Eep is enabled
- raise the runtime error `EEP_E_BUSY` according to the EEPROM state
- reject the service with `E_NOT_OK` (except `Eep_SetMode()` because this service has no return value)] (SRS_BSW_00406, SRS_BSW_00369, SRS_SPAL_12064, SRS_SPAL_12448, SRS_Eep_00095)

7.3.3 EEPROM job encounters Hardware Failure

[SWS_Eep_00200] [The production error code `EEP_E_ERASE_FAILED` shall be reported when the EEPROM erase function failed.] (SRS_BSW_00337)

[SWS_Eep_00201] [The production error code `EEP_E_WRITE_FAILED` shall be reported when the EEPROM write function failed.] (SRS_BSW_00337)

[SWS_Eep_00202] [The production error code `EEP_E_READ_FAILED` shall be reported when the EEPROM read function failed.] (SRS_BSW_00337)

[SWS_Eep_00203] [The production error code `EEP_E_COMPARE_FAILED` shall be reported when the EEPROM compare function failed.] (SRS_BSW_00337)

7.3.4 Timeout Supervision

[SWS_Eep_00234] [The runtime error code `EEP_E_TIMEOUT` shall be reported when the timeout supervision of a read, write, erase or compare job failed.] ()

7.4 Error notification

For details refer to the chapter 7.2 “Error classification” in *SWS_BSWGeneral*.

7.5 Processing of jobs – general requirements

[SWS_Eep_00128] [The Eep module shall allow to be configured for interrupt or polling controlled job processing (if this is supported by the EEPROM hardware) through the configuration parameter `EepUseInterrupts` (see [ECUC_Eep_00163](#)).] ()

[SWS_Eep_00129] [If interrupt controlled job processing is supported and enabled, the external interrupt service routine located in `Eep_Irq.c` shall call an additional job processing function.] ()

Hint:

The function `Eep_MainFunction` is still required for processing of jobs without hardware interrupt support (e.g. for read and compare jobs) and for timeout supervision.

[SWS_Eep_00246] [If the underlying EEPROM technology requires a certain alignment of the read address or length information and if the address and/or length parameter for a read or compare Job are not correctly aligned, the function `Eep_MainFunction` shall internally compensate for this missing alignment, that is the function `Eep_MainFunction` shall provide byte-wise read access to the flash memory, regardless of any alignment restrictions imposed by the Hardware.]()

Additional general requirements only applicable for SPI EEPROM drivers:

[SWS_Eep_00056] [For an Eep module driving an external EEPROM through SPI: If the SPI access fails, the Eep module shall behave as specified in [SWS_Eep_00068](#).]
] ()

[SWS_Eep_00052] [For an Eep module driving an external EEPROM through SPI: In normal EEPROM mode, the Eep module shall access the external EEPROM by usage of SPI channels that are configured for normal access to the SPI EEPROM.]
(SRS_Eep_12157, SRS_Eep_12124)

[SWS_Eep_00053] [For an Eep module driving an external EEPROM through SPI: The Eep's configuration shall be such that the value of the configuration parameter `EepNormalReadBlockSize` fits to the number of bytes that are readable in normal SPI mode.] (SRS_Eep_12157, SRS_Eep_12124)

[SWS_Eep_00055] [For an Eep module driving an external EEPROM through SPI: In fast EEPROM mode, the Eep module shall access the external EEPROM by usage of SPI channels that are configured for burst access to the SPI EEPROM.]
(SRS_Eep_12072, SRS_Eep_12124)

[SWS_Eep_00073] [For an Eep module driving an external EEPROM through SPI: The Eep's configuration shall be such that the value of the configuration parameter `EepFastReadBlockSize` fits to the number of bytes that are readable in burst SPI mode.] (SRS_Eep_12072, SRS_Eep_12124)

7.6 Processing of read jobs

[SWS_Eep_00130] [The Eep module shall provide two different read modes:
• normal mode
• fast mode] (SRS_Eep_12156)

[SWS_Eep_00132] [For an Eep module driving an external EEPROM: in case the external EEPROM does not support the burst mode, the Eep module shall accept a selection of fast read mode, but shall behave the same as in normal mode (don't care of mode parameter).] (SRS_Eep_12156)

[SWS_Eep_00051] [In normal EEPROM mode, the Eep module shall read within one job processing cycle a number of bytes specified by the parameter `EepNormalReadBlockSize`.] (SRS_Eep_12157, SRS_Eep_12050)

Example:

- `EepNormalReadBlockSize` = 4
- Number of bytes to read: 21
- Required number of job processing cycles: 6

- Resulting read pattern: 4-4-4-4-4-1

[SWS_Eep_00054] [In fast EEPROM mode, the Eep module shall read within one job processing cycle a number of bytes specified by the parameter `EepFastReadBlockSize`.] (SRS_Eep_12072, SRS_Eep_12050)

Example:

- `EepFastReadBlockSize = 32`
- Number of bytes to read: 110
- Required number of job processing cycles: 4
- Resulting read pattern: 32-32-32-14

[SWS_Eep_00058] [When a read job is finished successfully, the Eep module shall set the EEPROM state to `MEMIF_IDLE` and shall set the job result to `MEMIF_JOB_OK`. If configured, the Eep module shall call the notification defined in the configuration parameter `EepJobEndNotification`.] ()

[SWS_Eep_00068] [When an error is detected during read job processing, the Eep module shall abort the job, shall set the EEPROM state to `MEMIF_IDLE` and shall set the job result to `MEMIF_JOB_FAILED`. If configured, the Eep module shall call the notification defined in the configuration parameter `EepJobErrorNotification`.]()

7.7 Processing of write jobs

[SWS_Eep_00057] [The Eep module shall only write (and erase) as many bytes to the EEPROM as supported by the EEPROM hardware within one job processing cycle.

For internal EEPROMs, usually 1 data word can be written per time. Some external EEPROMs provide a RAM buffer (e.g. page buffer) that allows writing many bytes in one step.] (SRS_Eep_12050)

[SWS_Eep_00133] [The Eep module shall provide two different write modes:

- normal mode
- fast mode] ()

[SWS_Eep_00134] [For the case of an Eep module driving an external EEPROM: if the external EEPROMs does not provide burst mode, the Eep module shall accept a selection of fast mode, but shall behave the same as in normal mode (don't care of mode parameter).] ()

[SWS_Eep_00097] [In normal EEPROM mode, the Eep module shall write (and erase) within one job processing cycle a number of bytes specified by the parameter `EepNormalWriteBlockSize`.] ()

Example:

- `EepNormalWriteBlockSize = 1`
- Number of bytes to write: 4
- Required number of job processing cycles: 4
- Resulting write pattern: 1-1-1-1

[SWS_Eep_00098] [In fast EEPROM mode, the Eep module shall write (and erase) within one job processing cycle a number of bytes specified by the parameter `EepFastWriteBlockSize`.] ()

Example:

- `EepFastWriteBlockSize = 16`
- Number of bytes to write: 55
- Required number of job processing cycles: 4
- Resulting write pattern: 16-16-16-7

[SWS_Eep_00060] [If the value to be written to an EEPROM cell is already contained in the EEPROM cell, the Eep module should¹ skip the programming of that cell if it is configured to do so through the configuration parameter `EepWriteCycleReduction`.] (SRS_Eep_00092)

[SWS_Eep_00059] [The Eep module shall erase an EEPROM cell before writing to it if this is not done automatically by the EEPROM hardware.] ()

[SWS_Eep_00063] [The Eep module shall preserve data of affected EEPROM cells by performing read – modify – write operations, if the number of bytes to be written are smaller than the erasable and/or writeable data units.] (SRS_Eep_00088, SRS_Eep_00094)

[SWS_Eep_00090] [The Eep module shall preserve data of affected EEPROM cells by performing read – modify – write operations, if the given parameters (`EepromAddress` and `Length`) do not align with the erasable/writeable data units.] (SRS_Eep_00088, SRS_Eep_00094)

[SWS_Eep_00064] [The Eep module shall keep the number of read – modify – write operations during writing a data block as small as possible.] (SRS_Eep_00092)

[SWS_Eep_00219] [When a write job is finished successfully, the Eep module shall set the EEPROM state to `MEMIF_IDLE` and shall set the job result to

¹ This feature is not mandatory but it depends on the EEPROM hardware manufacturer specification

MEMIF_JOB_OK. If configured, the Eep module shall call the notification defined in the configuration parameter `EepJobEndNotification`.] ()

[SWS_Eep_00222] [When an error is detected during write job processing, the Eep module shall abort the job, shall set the EEPROM state to `MEMIF_IDLE` and shall set the job result to `MEMIF_JOB_FAILED`. If configured, the Eep module shall call the notification defined in the configuration parameter `EepJobErrorNotification`.] ()

Note: The verification of data written to EEPROM is not done within the write job processing function. If this is required for a data block, the compare function has to be called after the write job has been finished. This optimizes write speed, because data verification (read back and comparing data after writing) is only done where required.

7.8 Processing of erase jobs

[SWS_Eep_00069] [The Eep module shall erase only as many bytes to the EEPROM as supported by the EEPROM hardware within one job processing cycle.] (SRS_Eep_12050)

[SWS_Eep_00070] [The Eep module shall use block erase commands if supported by the EEPROM hardware and if the given parameters (`EepromAddress` and `Length`) are aligned to erasable blocks.] (SRS_Eep_00089, SRS_Eep_00094)

[SWS_Eep_00072] [The Eep module shall preserve the contents of affected EEPROM cells by using read – modify – write operations, if the given erase parameters (`EepromAddress` and `Length`) do not align with the erasable data units.] (SRS_Eep_00089, SRS_Eep_00094)

[SWS_Eep_00220] [When an erase job is finished successfully, the Eep module shall set the EEPROM state to `MEMIF_IDLE` and shall set the job result to `MEMIF_JOB_OK`. If configured, the Eep module shall call the notification defined in the configuration parameter `EepJobEndNotification`.] ()

[SWS_Eep_00223] [When an error is detected during erase job processing, the Eep module shall abort the job, shall set the EEPROM state to `MEMIF_IDLE` and shall set the job result to `MEMIF_JOB_FAILED`. If configured, the Eep module shall call the notification defined in the configuration parameter `EepJobErrorNotification`.] ()

7.9 Processing of compare jobs

For processing of compare jobs, the following EEPROM mode related requirements are applicable: [SWS_Eep_00130](#), [SWS_Eep_00132](#), [SWS_Eep_00051](#), [SWS_Eep_00054](#).

[SWS_Eep_00221] [When a compare job is finished successfully, the Eep module shall set the EEPROM state to `MEMIF_IDLE` and shall set the job result to `MEMIF_JOB_OK`. If configured, the Eep module shall call the notification defined in the configuration parameter `EepJobEndNotification`.] ()

[SWS_Eep_00224] [When an error is detected during compare job processing, the Eep module shall abort the job, shall set the EEPROM state to `MEMIF_IDLE` and shall set the job result to `MEMIF_JOB_FAILED`. If configured, the Eep module shall call the notification defined in the configuration parameter `EepJobErrorNotification`.] ()

[SWS_Eep_00075] [When it is detected during compare job processing that the compared data areas are not equal, the EEPROM driver shall abort the job, set the EEPROM state to `MEMIF_IDLE` and the job result to `MEMIF_BLOCK_INCONSISTENT`. If configured, the callback function `Eep_JobErrorNotification` shall be called.] ()

Requirements only applicable for SPI EEPROM drivers:

For processing of compare jobs, the following read job requirements are applicable: [SWS_Eep_00052](#), [SWS_Eep_00053](#), [SWS_Eep_00055](#), [SWS_Eep_00073](#).

7.10 Version check

For details refer to the chapter 5.1.8 “Version Check” in *SWS_BSWGeneral*.

8 API specification

8.1 Imported types

In this chapter all types included from the following modules are listed:

[SWS_Eep_00138]

<i>Module</i>	<i>Header File</i>	<i>Imported Type</i>
Dem	Rte_Dem_Type.h	Dem_EventIdType
	Rte_Dem_Type.h	Dem_EventStatusType
MemIf	MemIf.h	MemIf_JobResultType
	MemIf.h	MemIf_ModeType (obsolete)
	MemIf.h	MemIf_StatusType
Std	Std_Types.h	Std_ReturnType
	Std_Types.h	Std_VersionInfoType

](SRS_BSW_00335, SRS_BSW_00357, SRS_BSW_00377)

8.2 Type definitions

8.2.1 Eep_ConfigType

[SWS_Eep_00225]

Name	Eep_ConfigType	
Kind	Structure	
Elements	Implementation Specific	
	Type	--
	Comment	The contents of the initialization data structure are EEPROM specific.
Description	This is the type of the external data structure containing the initialization data for the EEPROM driver.	
Available via	Eep.h	

]()

8.2.2 Eep_AddressType

[SWS_Eep_00226]

Name	Eep_AddressType
-------------	-----------------

Kind	Type		
Derived from	uint		
Range	8 / 16 / 32 bits	--	Size depends on target platform and EEPROM device.
Description	Used as address offset from the configured EEPROM base address to access a certain EEPROM memory area.		
Available via	Eep.h		

]()

[SWS_Eep_00113] [The type Eep_AddressType shall have 0 as lower limit for each EEPROM device.] ()

[SWS_Eep_00217] [The EEPROM module shall add a device specific base address to the address type Eep_AddressType if necessary.] ()

8.2.3 Eep_LengthType

[SWS_Eep_00227]

Name	Eep_LengthType		
Kind	Type		
Derived from	uint		
Range	Same as Eep_AddressType	--	Is the same type as Eep_AddressType because of arithmetic operations. Size depends on target platform and EEPROM device.
Description	Specifies the number of bytes to read/write/erase/compare.		
Available via	Eep.h		

]()

8.3 Function definitions

8.3.1 Eep_Init

[SWS_Eep_00143]

Service Name	Eep_Init
Syntax	void Eep_Init (

	const Eep_ConfigType* ConfigPtr)	
Service ID [hex]	0x00	
Sync/Async	Synchronous	
Reentrancy	Non Reentrant	
Parameters (in)	ConfigPtr	Pointer to configuration set.
Parameters (inout)	None	
Parameters (out)	None	
Return value	None	
Description	Service for EEPROM initialization.	
Available via	Eep.h	

]()

[SWS_Eep_00004] [The function Eep_Init shall initialize all EEPROM relevant registers with the values of the structure referenced by the parameter ConfigPtr.] (SRS_BSW_00101, SRS_SPAL_12057)

[SWS_Eep_00006] [After having finished the module initialization, the function Eep_Init shall set the EEPROM state to MEMIF_IDLE and shall set the job result to MEMIF_JOB_OK.] (SRS_BSW_00406)

[SWS_Eep_00044] [The function Eep_Init shall set the EEPROM mode to the configured default mode] ()

[SWS_Eep_00115] [The Eep's user shall not call the function Eep_Init during a running operation.] ()

8.3.2 Eep_SetMode

[SWS_Eep_00144][

Service Name	Eep_SetMode	
Syntax	void Eep_SetMode (MemIf_ModeType Mode)	
Service ID [hex]	0x01	
Sync/Async	Synchronous	
Reentrancy	Non Reentrant	
Parameters (in)	Mode	MEMIF_MODE_SLOW: Slow read access / normal SPI access. MEMIF_

	MODE_FAST: Fast read access / SPI burst access.
Parameters (inout)	None
Parameters (out)	None
Return value	None
Description	Sets the mode.
Available via	Eep.h

]()

[SWS_Eep_00042] [The function Eep_SetMode shall set the EEPROM operation mode to the given mode parameter.

The function Eep_SetMode checks the EEPROM state according to requirement [SWS_Eep_00033](#).] (SRS_Eep_12156)

[SWS_Eep_00116] [The Eep's user shall not call the function Eep_SetMode during a running operation.] ()

8.3.3 Eep_Read

[SWS_Eep_00145]

Service Name	Eep_Read	
Syntax	<pre>Std_ReturnType Eep_Read (Eep_AddressType EepromAddress, uint8* DataBufferPtr, Eep_LengthType Length)</pre>	
Service ID [hex]	0x02	
Sync/Async	Asynchronous	
Reentrancy	Non Reentrant	
Parameters (in)	Eeprom Address	Address offset in EEPROM (will be added to the EEPROM base address). Min.: 0 Max.: EEP_SIZE - 1
	Length	Number of bytes to read Min.: 1 Max.: EEP_SIZE - Eeprom Address
Parameters (inout)	None	
Parameters (out)	DataBuffer Ptr	Pointer to destination data buffer in RAM
Return value	Std_Return-	E_OK: read command has been accepted

	Type	E_NOT_OK: read command has not been accepted
Description	Reads from EEPROM.	
Available via	Eep.h	

]()

[SWS_Eep_00009] [The function Eep_Read shall copy the given parameters, initiate a read job, set the EEPROM status to MEMIF_BUSY, set the job result to MEMIF_JOB_PENDING and return.] (SRS_Eep_00087)

[SWS_Eep_00013] [The Eep module shall execute the read job asynchronously within the Eep module's job processing function. During job processing the Eep module shall read a data block of size Length from EepromAddress + EEPROM base address to *DataBufferPtr.

The function Eep_Read checks the API parameters according to requirements [SWS_Eep_00016](#), [SWS_Eep_00017](#), [SWS_Eep_00018](#).

The function Eep_Read checks the EEPROM state according to requirement [SWS_Eep_00033](#).] (SRS_Eep_00087)

[SWS_Eep_00117] [The Eep's user shall only call Eep_Read after the Eep module has been initialized.] ()

[SWS_Eep_00118] [The Eep's user shall not call the function Eep_Read during a running Eep module job (read/write/erase/compare).] ()

8.3.4 Eep_Write

[SWS_Eep_00146]

Service Name	Eep_Write	
Syntax	<pre>Std_ReturnType Eep_Write (Eep_AddressType EepromAddress, const uint8* DataBufferPtr, Eep_LengthType Length)</pre>	
Service ID [hex]	0x03	
Sync/Async	Asynchronous	
Reentrancy	Non Reentrant	
Parameters (in)	Eeprom Address	Address offset in EEPROM (will be added to the EEPROM base address). Min.: 0 Max.: EEPROM_SIZE - 1 This target address will be added to the EEPROM base address.
	DataBuffer	Pointer to source data

	Ptr	
	Length	Number of bytes to write Min.: 1 Max.: EEPROM_SIZE - Eeprom Address
Parameters (inout)	None	
Parameters (out)	None	
Return value	Std_Return-Type	E_OK: write command has been accepted E_NOT_OK: write command has not been accepted
Description	Writes to EEPROM.	
Available via	Eep.h	

]()

[SWS_Eep_00014] [The function Eep_Write shall copy the given_parameters, initiate a write job, set the EEPROM status to MEMIF_BUSY, set the job result to MEMIF_JOB_PENDING and return.] (SRS_Eep_00088)

[SWS_Eep_00015] [The Eep module shall execute the write job asynchronously within the Eep module's job processing function. During job processing the Eep module shall write a data block of size Length from *DataBufferPtr to EepromAddress + EEPROM base address.

The function Eep_Write checks the API parameters according to requirements SWS_Eep_00016, SWS_Eep_00017, SWS_Eep_00018.

The function Eep_Write checks the EEPROM state according to requirement [SWS_Eep_00033](#).] (SRS_Eep_00088)

[SWS_Eep_00119] [The Eep module's user shall only call the function Eep_Write after the Eep module has been initialized.] ()

[SWS_Eep_00120] [The Eep module's user shall not call the function Eep_Write during a running Eep module job (read/write/erase/compare).] ()

8.3.5 Eep_Erase

[SWS_Eep_00147]

Service Name	Eep_Erase
Syntax	Std_ReturnType Eep_Erase (Eep_AddressType EepromAddress, Eep_LengthType Length)
Service ID [hex]	0x04

Sync/Async	Asynchronous	
Reentrancy	Non Reentrant	
Parameters (in)	Eeprom Address	Start address in EEPROM Min.: 0 Max.: EEPROM_SIZE - 1 This address will be added to the EEPROM base address.
	Length	Number of bytes to erase Min.: 1 Max.: EEPROM_SIZE - Eeprom Address
Parameters (inout)	None	
Parameters (out)	None	
Return value	Std_Return-Type	E_OK: erase command has been accepted E_NOT_OK: erase command has not been accepted
Description	Service for erasing EEPROM sections.	
Available via	Eep.h	

]()

[SWS_Eep_00019] [The function Eep_Erase shall copy the given parameters, initiate an erase job, set the EEPROM status to MEMIF_BUSY, set the job result to MEMIF_JOB_PENDING and return.] (SRS_Eep_00089)

[SWS_Eep_00020] [The Eep module shall execute the erase job asynchronously within the Eep module's job processing function. The Eep module shall erase an EEPROM block starting from EepromAddress + EEPROM base address of size Length.

The function Eep_Erase checks the API parameters according to requirements SWS_Eep_00016, SWS_Eep_00017, SWS_Eep_00018.

The function Eep_Erase checks the EEPROM state according to requirement [SWS_Eep_00033](#).] (SRS_Eep_00089)

[SWS_Eep_00121] [The Eep module's user shall only call the function Eep_Erase after the Eep module has been initialized.] ()

[SWS_Eep_00122] [The Eep module's user shall not call the function Eep_Erase during a running Eep job (read/write/erase/compare).] ()

8.3.6 Eep_Compare

[SWS_Eep_00148]

Service Name	Eep_Compare
Syntax	Std_ReturnType Eep_Compare (Eep_AddressType EepromAddress,

	<pre>const uint8* DataBufferPtr, Eep_LengthType Length)</pre>	
Service ID [hex]	0x05	
Sync/Async	Asynchronous	
Reentrancy	Non Reentrant	
Parameters (in)	Eeprom Address	Address offset in EEPROM (will be added to the EEPROM base address). Min.: 0 Max.: EEP_SIZE - 1 This target address will be added to the EEPROM base address.
	DataBuffer Ptr	Pointer to data buffer (compare data)
	Length	Number of bytes to compare Min.: 1 Max.: EEP_SIZE - Eeprom Address
Parameters (inout)	None	
Parameters (out)	None	
Return value	Std_Return-Type	E_OK: compare command has been accepted E_NOT_OK: compare command has not been accepted
Description	Compares a data block in EEPROM with an EEPROM block in the memory.	
Available via	Eep.h	

]()

[SWS_Eep_00025] [The function Eep_Compare shall copy the given parameters, initiate a compare job, set the EEPROM status to MEMIF_BUSY, set the job result to MEMIF_JOB_PENDING and return.] (SRS_Eep_12091)

[SWS_Eep_00026] [The Eep module shall execute the compare job asynchronously within the Eep module's job processing function. During job processing the Eep module shall compare the EEPROM data block at EepromAddress + EEPROM base address of size Length with the data block at *DataBufferPtr of the same length.

The service Eep_Compare checks the API parameters according to requirements SWS_Eep_00016, SWS_Eep_00017, SWS_Eep_00018.

The service Eep_Compare checks the EEPROM state according to requirement [SWS_Eep_00033](#).] (SRS_Eep_12091)

[SWS_Eep_00123] [The Eep module's user shall only call the function Eep_Compare after the Eep module has been initialized.] ()

[SWS_Eep_00124] [The Eep module's user shall not call the function `Eep_Compare` during a running Eep job (read/write/erase/compare).] ()

8.3.7 Eep_Cancel

[SWS_Eep_00149]

Service Name	Eep_Cancel
Syntax	<pre>void Eep_Cancel (void)</pre>
Service ID [hex]	0x06
Sync/Async	Synchronous
Reentrancy	Non Reentrant
Parameters (in)	None
Parameters (inout)	None
Parameters (out)	None
Return value	None
Description	Cancels a running job.
Available via	Eep.h

]()

[SWS_Eep_00215] [The function `Eep_Cancel` shall cancel an ongoing EEPROM read, write, erase or compare job.] (SRS_Eep_00090)

[SWS_Eep_00021] [The function `Eep_Cancel` shall abort a running job synchronously so that directly after returning from this function a new job can be requested by the upper layer.] (SRS_Eep_00090)

Note: The function `Eep_Cancel` is synchronous in its behavior but at the same time asynchronous w.r.t. the underlying hardware. The job of the `Eep_Cancel` function (i.e. make the module ready for a new job request) is finished when it returns to the caller (hence it is synchronous), but on the other hand e.g. an erase job might still be ongoing in the hardware device (hence it is asynchronous w.r.t. the hardware).

[SWS_Eep_00027] [The function `Eep_Cancel` shall set the EEP module state to `MEMIF_IDLE`.] (SRS_Eep_00090)

[SWS_Eep_00216] [If configured, `Eep_Cancel` shall call the error notification function defined in `EepJobErrorNotification` in order to inform the caller about the cancelation of a job.] (SRS_Eep_00090)

[SWS_Eep_00028] [The function `Eep_Cancel` shall set the job result to `MEMIF_JOB_CANCELED` if the job result currently has the value `MEMIF_JOB_PENDING`. Otherwise it shall leave the job result unchanged.]
(SRS_Eep_00090)

[SWS_Eep_00136] [The Eep module's user shall not call the `Eep_Cancel()` function during a running `Eep_MainFunction()` function.

[SWS_Eep_00136](#) can be achieved by one of the following scheduling configurations:

- Possibility 1: the job functions of the NVRAM manager and the EEPROM driver are synchronized (e.g. called sequentially within one task)
- Possibility 2: the task that calls the `Eep_MainFunction` function cannot be preempted by another task.] ()

Note: The states and data of the affected EEPROM cells will be undefined when canceling an ongoing write or erase job with the function `Eep_Cancel`.

Only the NVRAM Manager is authorized to use the function `Eep_Cancel`.

Canceling any job on-going with the service `Eep_Cancel` in an external EEPROM device might set this one in a blocking state.

8.3.8 Eep_GetStatus

[SWS_Eep_00150][

Service Name	Eep_GetStatus	
Syntax	MemIf_StatusType Eep_GetStatus (void)	
Service ID [hex]	0x07	
Sync/Async	Synchronous	
Reentrancy	Reentrant	
Parameters (in)	None	
Parameters (inout)	None	
Parameters (out)	None	
Return value	MemIf_StatusType	See document [3]
Description	Returns the EEPROM status.	
Available via	Eep.h	

]()

[SWS_Eep_00029] [The function Eep_GetStatus shall return the EEPROM status synchronously.] (SRS_SPAL_00157, SRS_Eep_00091)

8.3.9 Eep_GetJobResult

[SWS_Eep_00151]

Service Name	Eep_GetJobResult	
Syntax	MemIf_JobResultType Eep_GetJobResult (void)	
Service ID [hex]	0x08	
Sync/Async	Synchronous	
Reentrancy	Reentrant	
Parameters (in)	None	
Parameters (inout)	None	
Parameters (out)	None	
Return value	MemIf_JobResultType	See document [3]
Description	This service returns the result of the last job.	
Available via	Eep.h	

]()

[SWS_Eep_00024] [The function Eep_GetJobResult shall synchronously return the result of the last job that has been accepted by the Eep module.] (SRS_SPAL_00157)

The services read/write/compare/erase share the same job status. Only the result of the last accepted job can be queried. Every new job that has been accepted by the EEPROM driver overwrites the job result with MEMIF_JOB_PENDING.

8.3.10 Eep_GetVersionInfo

[SWS_Eep_00152]

Service Name	Eep_GetVersionInfo	
Syntax	void Eep_GetVersionInfo (Std_VersionInfoType* versioninfo)	
Service ID [hex]	0x0a	
Sync/Async	Synchronous	
Reentrancy	Reentrant	

Parameters (in)	None	
Parameters (inout)	None	
Parameters (out)	versioninfo	Pointer to where to store the version information of this module.
Return value	None	
Description	Service to get the version information of this module.	
Available via	Eep.h	

]()

[SWS_Eep_00239] [If development error detection for the module Eep is enabled, and if the function Eep_GetVersionInfo is called with a NULL Pointer, the function Eep_GetVersionInfo shall raise the development error `EEP_E_PARAM_POINTER`, otherwise (if no development error detection is enabled) it shall return without any action.] ()

8.4 Callback notifications

This chapter lists all functions provided by the Eep module to lower layer modules.

The EEPROM Driver is specified for either an internal microcontroller peripheral or an SPI external device. In the first case, the module belongs to the lowest layer of AUTOSAR Software Architecture hence this module specification has not identified any callback functions. In the second case, the module belongs to the ECU abstraction layer of AUTOSAR Software Architecture hence this module should provide callback notifications according to the SPI Handler/Driver specification requirements but those can not be specified here because they depend on module detailed design. That means, they depend on number of SPI Jobs and SPI Sequences that will be used.

[SWS_Eep_00137] [In case the Eep module support an SPI external device, the Eep module shall provide additional callback notifications according to the SPI Handler/Driver specification requirements.]()

8.5 Scheduled functions

This chapter lists all functions provided by the Eep module and called directly by the Basic Software Module Scheduler.

8.5.1 Eep_MainFunction

[SWS_Eep_00153][

Service Name	Eep_MainFunction
---------------------	------------------

Syntax	void Eep_MainFunction (void)
Service ID [hex]	0x09
Description	Service to perform the processing of the EEPROM jobs (read/write/erase/compare) .
Available via	SchM_Eep.h

]()

[SWS_Eep_00030] [The function `Eep_MainFunction` shall perform the processing of the EEPROM read, write, erase and compare jobs.] (SRS_Eep_12047)

[SWS_Eep_00031] [When a job has been initiated, the Eep's user shall call the function `Eep_MainFunction` cyclically until the job is finished.] ()

Note: The function `Eep_MainFunction` may also be called cyclically if no job is currently pending.

[SWS_Eep_00084] [The configuration parameter `EepMainFunctionPeriod` (see [ECUC_Eep_00170](#)) shall be used for internal timing of the EEPROM driver (deadline monitoring, write and erase timing etc.) if needed by the implementation and/or the underlying hardware.] ()

[SWS_Eep_00032] [The function `Eep_MainFunction` shall return without action if no job is pending.] (SRS_Eep_12047)

[SWS_Eep_00204] [The function `Eep_MainFunction` shall set the job result to `MEMIF_JOB_FAILED` and report the error code `EEP_E_ERASE_FAILED` to the DEM if an EEPROM erase job fails due to a hardware error.] ()

[SWS_Eep_00205] [The function `Eep_MainFunction` shall set the job result to `MEMIF_JOB_FAILED` and report the error code `EEP_E_WRITE_FAILED` to the DEM if an EEPROM write job fails due to a hardware error.] ()

[SWS_Eep_00206] [The function `Eep_MainFunction` shall set the job result to `MEMIF_JOB_FAILED` and report the error code `EEP_E_READ_FAILED` to the DEM if an EEPROM read job fails due to a hardware error.] ()

[SWS_Eep_00207] [The function `Eep_MainFunction` shall set the job result to `MEMIF_JOB_FAILED` and report the error code `EEP_E_COMPARE_FAILED` to the DEM if an EEPROM compare job fails due to a hardware error.] ()

[SWS_Eep_00235] [The function `Eep_MainFunction` shall provide a timeout monitoring for the currently running job. That is it shall supervise the deadline of the read / compare / erase or write job.] ()

[SWS_Eep_00236] [The function `Eep_MainFunction` shall check whether the configured maximum erase time (see [ECUC_Eep_00178](#) `EepEraseTime`) has been exceeded. If this is the case, the function `Eep_MainFunction` shall raise the runtime error `EEP_E_TIMEOUT`.] ()

[SWS_Eep_00237] [The function `Eep_MainFunction` shall check whether the expected maximum write time (see note below) has been exceeded. If this is the case, the function `Eep_MainFunction` shall raise the runtime error `EEP_E_TIMEOUT`.] ()

Note: The expected maximum write time depends on the current mode of the Eep module (see [SWS_Eep_00144](#)), the configured number of bytes to write in this mode (see [ECUC_Eep_00174](#) and [ECUC_Eep_00169](#) respectively), the size of a EEPROM write data unit (see [ECUC_Eep_00186](#)) and last the maximum time to write one data unit (see [ECUC_Eep_00185](#)). The number of bytes to write divided by the size of one EEPROM data unit yields the number of data units to write in one cycle. This multiplied with the maximum write time for one EEPROM data unit gives the expected maximum write time.

[SWS_Eep_00238] [The function `Eep_MainFunction` shall check whether the expected maximum read / compare time (see note below) has been exceeded. If this is the case, the function `Eep_MainFunction` shall raise the runtime error `EEP_E_TIMEOUT`.] ()

Note: There are currently no published parameters standardized for read / compare timings; these are difficult to standardize as they mostly depend on whether the EEPROM device is internal or external e.g. connected via SPI. Depending on the exact configuration being used, the implementation may use vendor-specific parameters similar as described for write jobs above. The configured number of bytes to read (and to compare) is coupled to the expected read / compare times which should be supervised by the `Eep_MainFunction`.

8.6 Expected Interfaces

This chapter lists all functions the Eep module requires from other modules.

8.6.1 Mandatory Interfaces

This chapter defines all interfaces which are required to fulfill the core functionality of the module.

[SWS_Eep_00154]

API Function	Header File	Description
Dem_Set-EventStatus	Dem.h	Called by SW-Cs or BSW modules to report monitor status information to the Dem. BSW modules calling Dem_SetEventStatus can safely ignore the return value. This API will be available only if ({Dem/DemConfigSet/DemEventParameter/DemEventReportingType} == STANDARD_REPORTING)
Det_Report-Runtime-Error	Det.h	Service to report runtime errors. If a callout has been configured then this callout shall be called.

]()

8.6.2 Optional Interfaces

This chapter defines all interfaces which are required to fulfill an optional functionality of EEPROM Driver module.

[SWS_Eep_00155]

API Function	Header File	Description
Det_ReportError	Det.h	Service to report development errors.

]()

8.6.3 Configurable interfaces

In this chapter all interfaces are listed where the target function could be configured. The target function is usually a call-back function. The name of these interfaces is not fixed because they are configurable.

[SWS_Eep_00049] [Notification callback functions are configurable through their corresponding configuration parameters. If no callback function is configured, there shall be no asynchronous notification.] (SRS_SPAL_12056)

Note: The EEP implementation needs to be able to cope with the use case that post build configuration does not specify a callback, in case no notification is required. This may internally be realized by setting the callback function pointer in the initialization data structure to null.

8.6.3.1 End Job Notification

[SWS_Eep_00045] [The Eep module shall call the callback function defined in the configuration parameter EepJobEndNotification when a job has been completed with a positive result:

- Read finished & OK

- Write finished & OK
- Erase finished & OK
- Compare finished & data blocks are equal] (SRS_SPAL_00157)

[SWS_Eep_00157]

Service Name	Eep_JobEndNotification
Syntax	<pre>void Eep_JobEndNotification (void)</pre>
Sync/Async	Synchronous
Reentrancy	Don't care
Parameters (in)	None
Parameters (inout)	None
Parameters (out)	None
Return value	None
Description	This callback function provided by the module user is called when a job has been completed with a positive result.
Available via	Eep.h

]()

[SWS_Eep_00126] [The callback function defined in the configuration parameter EepJobEndNotification shall be callable on interrupt level.] ()

8.6.3.2 Error Job Notification

[SWS_Eep_00046] [The Eep module shall call the callback function defined in the configuration parameter EepJobErrorNotification when a job has been canceled or aborted with negative result:

- Read aborted
- Write aborted or failed
- Erase aborted or failed
- Compare aborted or data blocks are not equal.] (SRS_SPAL_00157)

[SWS_Eep_00158]

Service Name	Eep_JobErrorNotification
Syntax	<pre>void Eep_JobErrorNotification (void)</pre>

Sync/Async	Synchronous
Reentrancy	Don't care
Parameters (in)	None
Parameters (inout)	None
Parameters (out)	None
Return value	None
Description	This callback function provided by the module user is called when a job has been canceled or finished with negative result.
Available via	Eep.h

|()

[SWS_Eep_00127] [The callback function defined in the configuration parameter EepJobErrorNotification shall be callable on interrupt level.] ()

9 Sequence diagrams

9.1 Initialization

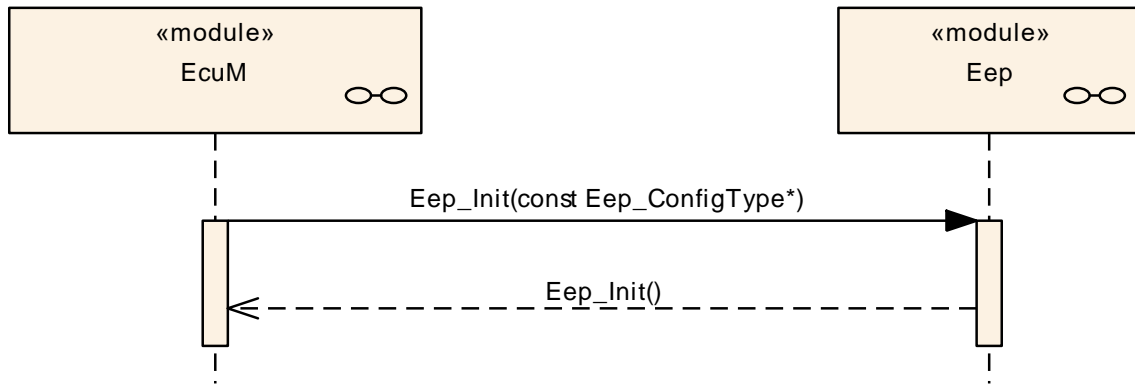


Figure 1

9.2 Read/write/erase/compare

The following sequence diagram shows the write function as an example. The sequence for read, compare and erase is the same, only the processed block sizes may vary.

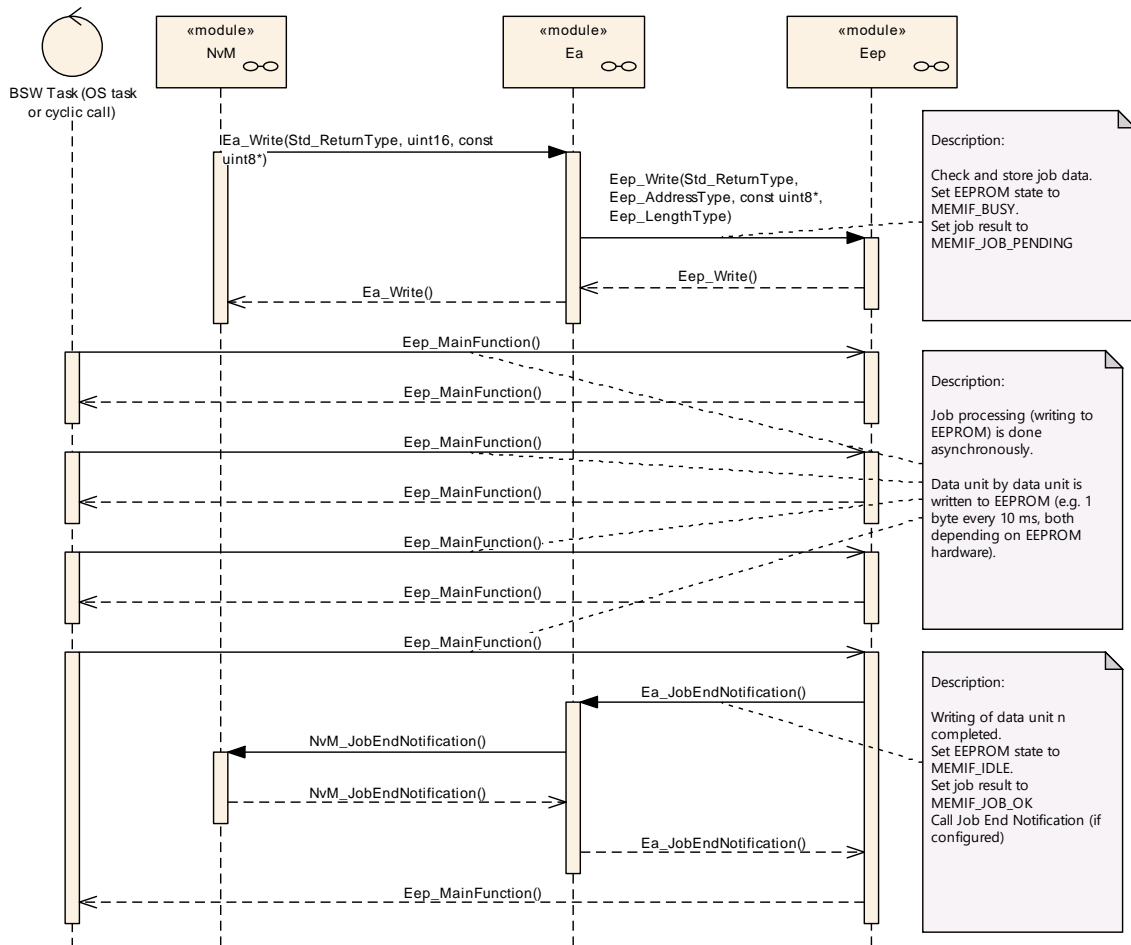


Figure 2

9.3 Cancelation of a running job

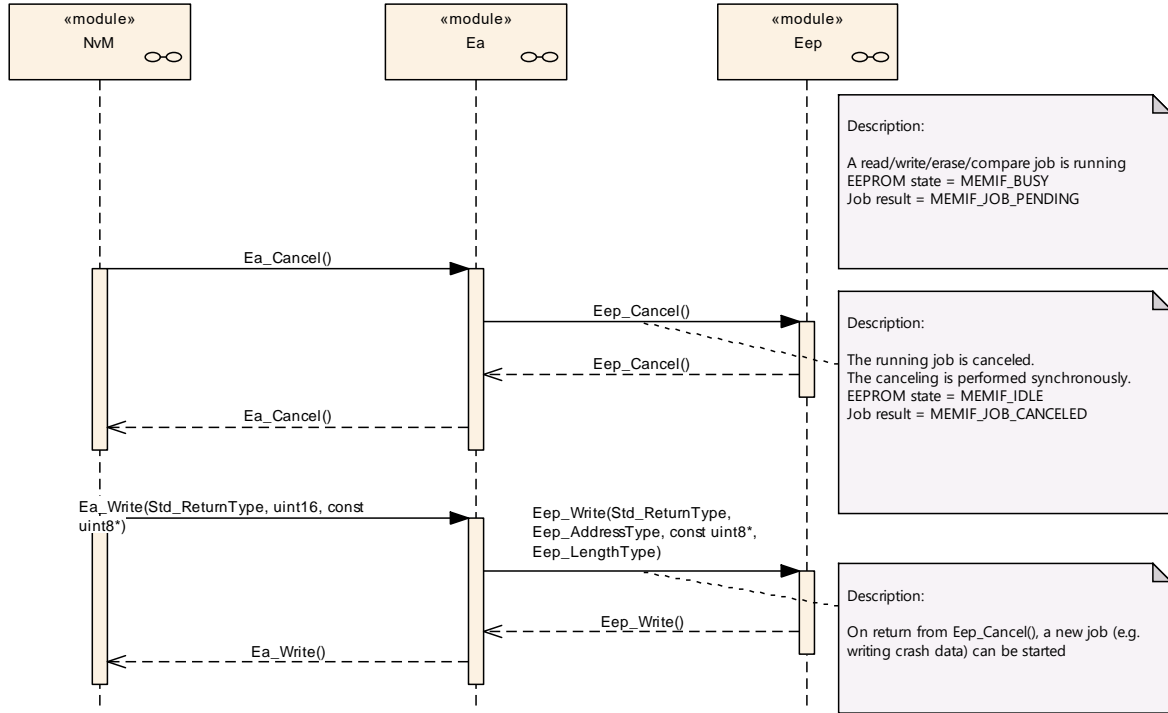


Figure 3

10 Configuration specification

10.1 How to read this chapter

For details refer to the chapter 10.1 “Introduction to configuration specification” in *SWS_BSWGeneral*.

10.2 Containers and configuration parameters

The following chapters summarize all configuration parameters. The detailed meanings of the parameters are described in Chapter 7 and Chapter 8. Further hardware / implementation specific parameters can be added if necessary.

10.2.1 Eep

SWS Item	ECUC_Eep_00205 :
Module Name	<i>Eep</i>
Module Description	Configuration of the Eep (internal or external EEPROM driver) module. Its multiplicity describes the number of EEPROM drivers present, so there will be one container for each EEPROM driver in the ECUC template. When no EEPROM driver is present then the multiplicity is 0.
Post-Build Variant Support	true
Supported Config Variants	VARIANT-POST-BUILD, VARIANT-PRE-COMPILE

Included Containers		
Container Name	Multiplicity	Scope / Dependency
EepGeneral	1	Container for general configuration parameters of the EEPROM driver. These parameters are always pre-compile.
EepInitConfiguration	1	Container for runtime configuration parameters of the EEPROM driver. Implementation Type: Eep_ConfigType.
EepPublishedInformation	1	Additional published parameters not covered by CommonPublishedInformation container. Note that these parameters do not have any configuration class setting, since they are published information.

10.2.2 EepGeneral

SWS Item	ECUC_Eep_00085 :
Container Name	EepGeneral
Parent Container	Eep
Description	Container for general configuration parameters of the EEPROM driver. These parameters are always pre-compile.
Configuration Parameters	

SWS Item	ECUC_Eep_00188 :		
Name	EepDevErrorDetect		
Parent Container	EepGeneral		
Description	Switches the development error detection and notification on or off. <ul style="list-style-type: none"> • true: detection and notification is enabled. • false: detection and notification is disabled. 		
Multiplicity	1		
Type	EcucBooleanParamDef		
Default value	false		
Post-Build Variant Value	false		
Value Configuration Class	Pre-compile time	X	All Variants

	Link time	--	
	Post-build time	--	
Scope / Dependency	scope: local		

SWS Item	ECUC_Eep_00189 :		
Name	EepDriverIndex		
Parent Container	EepGeneral		
Description	Specifies the InstanceId of this module instance. If only one instance is present it shall have the Id 0.		
Multiplicity	1		
Type	EcucIntegerParamDef (Symbolic Name generated for this parameter)		
Range	0 .. 254		
Default value	--		
Post-Build Variant Value	false		
Value Configuration Class	Pre-compile time	X	All Variants
	Link time	--	
	Post-build time	--	
Scope / Dependency	scope: ECU		

SWS Item	ECUC_Eep_00170 :		
Name	EepMainFunctionPeriod		
Parent Container	EepGeneral		
Description	Call cycle time of the EEPROM driver's main function. Unit: [s]		
Multiplicity	0..1		
Type	EcucFloatParamDef		
Range]0 .. INF[
Default value	--		
Post-Build Variant Value	false		
Multiplicity Configuration Class	Pre-compile time	X	All Variants
	Link time	--	
	Post-build time	--	
Value Configuration Class	Pre-compile time	X	All Variants
	Link time	--	
	Post-build time	--	
Scope / Dependency	scope: local		

SWS Item	ECUC_Eep_00163 :		
Name	EepUseInterrupts		
Parent Container	EepGeneral		
Description	Switches to activate or deactivate interrupt controlled job processing. true: Interrupt controlled job processing enabled. false: Interrupt controlled job processing disabled.		
Multiplicity	1		
Type	EcucBooleanParamDef		
Default value	false		
Post-Build Variant Value	false		
Value Configuration Class	Pre-compile time	X	All Variants
	Link time	--	
	Post-build time	--	
Scope / Dependency	scope: local dependency: Usually, this is only supported by some internal EEPROM peripherals.		

SWS Item	ECUC_Eep_00164 :		
-----------------	-------------------------	--	--

Name	EepVersionInfoApi		
Parent Container	EepGeneral		
Description	Pre-processor switch to enable / disable the API to read out the modules version information. true: Version info API enabled. false: Version info API disabled.		
Multiplicity	1		
Type	EcucBooleanParamDef		
Default value	false		
Post-Build Variant Value	false		
Value Configuration Class	Pre-compile time	X	All Variants
	Link time	--	
	Post-build time	--	
Scope / Dependency	scope: local		

SWS Item	ECUC_Eep_00165 :		
Name	EepWriteCycleReduction		
Parent Container	EepGeneral		
Description	Switches to activate or deactivate write cycle reduction (EEPROM value is read and compared before being overwritten). true: Write cycle reduction enabled. false: Write cycle reduction disabled.		
Multiplicity	1		
Type	EcucBooleanParamDef		
Default value	false		
Post-Build Variant Value	false		
Value Configuration Class	Pre-compile time	X	All Variants
	Link time	--	
	Post-build time	--	
Scope / Dependency	scope: local		

SWS Item	ECUC_Eep_00206 :		
Name	EepEcucPartitionRef		
Parent Container	EepGeneral		
Description	Maps the EEP driver to zero or one ECUC partition to make the driver API available in this partition.		
Multiplicity	0..1		
Type	Reference to [EcucPartition]		
Post-Build Variant Multiplicity	true		
Post-Build Variant Value	true		
Multiplicity Configuration Class	Pre-compile time	X	All Variants
	Link time	--	
	Post-build time	--	
Value Configuration Class	Pre-compile time	X	All Variants
	Link time	--	
	Post-build time	--	
Scope / Dependency	scope: ECU		

No Included Containers

10.2.3 EepInitConfiguration

SWS Item	ECUC_Eep_00039 :		
Container Name	EepInitConfiguration		
Parent Container	Eep		
Description	Container for runtime configuration parameters of the EEPROM driver. Implementation Type: Eep_ConfigType.		
Configuration Parameters			

SWS Item	ECUC_Eep_00166 :		
Name	EepBaseAddress		
Parent Container	EepInitConfiguration		
Description	This parameter is the EEPROM device base address. Implementation Type: Eep_AddressType.		
Multiplicity	1		
Type	EcucIntegerParamDef		
Range	0 .. 4294967295		
Default value	--		
Post-Build Variant Value	true		
Value Configuration Class	Pre-compile time	X	VARIANT-PRE-COMPILE
	Link time	--	
	Post-build time	X	VARIANT-POST-BUILD
Scope / Dependency	scope: local		

SWS Item	ECUC_Eep_00167 :		
Name	EepDefaultMode		
Parent Container	EepInitConfiguration		
Description	This parameter is the default EEPROM device mode after initialization. Implementation Type: MemIf_ModeType.		
Multiplicity	1		
Type	EcucEnumerationParamDef		
Range	MEMIF_MODE_FAST		The driver is working in fast mode (fast read access / SPI burst access).
	MEMIF_MODE_SLOW		The driver is working in slow mode.
Default value	MEMIF_MODE_SLOW		
Post-Build Variant Value	true		
Value Configuration Class	Pre-compile time	X	VARIANT-PRE-COMPILE
	Link time	--	
	Post-build time	X	VARIANT-POST-BUILD
Scope Dependency	scope: local		

SWS Item	ECUC_Eep_00168 :		
Name	EepFastReadBlockSize		
Parent Container	EepInitConfiguration		
Description	Number of bytes read within one job processing cycle in fast mode. If the hardware does not support burst mode this parameter shall be set to the same value as EepNormalReadBlockSize. Implementation Type: Eep_LengthType.		
Multiplicity	1		
Type	EcucIntegerParamDef		
Range	0 .. 4294967295		
Default value	--		
Post-Build Variant Value	true		

Value Configuration Class	Pre-compile time	X	VARIANT-PRE-COMPILE
	Link time	--	
	Post-build time	X	VARIANT-POST-BUILD
Scope / Dependency	scope: local		

SWS Item	ECUC_Eep_00169 :		
Name	EepFastWriteBlockSize		
Parent Container	EepInitConfiguration		
Description	Number of bytes written within one job processing cycle in fast mode. If the hardware does not support burst mode this parameter shall be set to the same value as EepNormalWriteBlockSize. Implementation Type: Eep_LengthType.		
Multiplicity	1		
Type	EcucIntegerParamDef		
Range	0 .. 4294967295		
Default value	--		
Post-Build Variant Value	true		
Value Configuration Class	Pre-compile time	X	VARIANT-PRE-COMPILE
	Link time	--	
	Post-build time	X	VARIANT-POST-BUILD
Scope / Dependency	scope: local dependency: This parameter is optional and only available if the hardware allows writing several bytes in one step (e.g. external EEPROMs with burst mode capability).		

SWS Item	ECUC_Eep_00171 :		
Name	EepJobEndNotification		
Parent Container	EepInitConfiguration		
Description	This parameter is a reference to a callback function for positive job result (see EEP045).		
Multiplicity	0..1		
Type	EcucFunctionNameDef		
Default value	--		
maxLength	--		
minLength	--		
regularExpression	--		
Post-Build Variant Multiplicity	true		
Post-Build Variant Value	true		
Multiplicity Configuration Class	Pre-compile time	X	VARIANT-PRE-COMPILE
	Link time	--	
	Post-build time	X	VARIANT-POST-BUILD
Value Configuration Class	Pre-compile time	X	VARIANT-PRE-COMPILE
	Link time	--	
	Post-build time	X	VARIANT-POST-BUILD
Scope / Dependency	scope: local		

SWS Item	ECUC_Eep_00172 :		
Name	EepJobErrorNotification		
Parent Container	EepInitConfiguration		
Description	This parameter is a reference to a callback function for negative job result (see EEP046).		
Multiplicity	0..1		
Type	EcucFunctionNameDef		
Default value	--		
maxLength	--		

minLength	--		
regularExpression	--		
Post-Build Variant Multiplicity	true		
Post-Build Variant Value	true		
Multiplicity Configuration Class	Pre-compile time	X	VARIANT-PRE-COMPILE
	Link time	--	
	Post-build time	X	VARIANT-POST-BUILD
Value Configuration Class	Pre-compile time	X	VARIANT-PRE-COMPILE
	Link time	--	
	Post-build time	X	VARIANT-POST-BUILD
Scope / Dependency	scope: local		

SWS Item	ECUC_Eep_00173 :		
Name	EepNormalReadBlockSize		
Parent Container	EepInitConfiguration		
Description	Number of bytes read within one job processing cycle in normal mode. Implementation Type: Eep_LengthType.		
Multiplicity	1		
Type	EcucIntegerParamDef		
Range	0 .. 4294967295		
Default value	--		
Post-Build Variant Value	true		
Value Configuration Class	Pre-compile time	X	VARIANT-PRE-COMPILE
	Link time	--	
	Post-build time	X	VARIANT-POST-BUILD
Scope / Dependency	scope: local		

SWS Item	ECUC_Eep_00174 :		
Name	EepNormalWriteBlockSize		
Parent Container	EepInitConfiguration		
Description	Number of bytes written within one job processing cycle in normal mode. Implementation Type: Eep_LengthType.		
Multiplicity	1		
Type	EcucIntegerParamDef		
Range	0 .. 4294967295		
Default value	--		
Post-Build Variant Value	true		
Value Configuration Class	Pre-compile time	X	VARIANT-PRE-COMPILE
	Link time	--	
	Post-build time	X	VARIANT-POST-BUILD
Scope / Dependency	scope: local dependency: This parameter is optional and only available if the hardware allows configuration.		

SWS Item	ECUC_Eep_00175 :		
Name	EepSize		
Parent Container	EepInitConfiguration		
Description	This parameter is the used size of EEPROM device in bytes. Implementation Type: Eep_LengthType.		
Multiplicity	1		
Type	EcucIntegerParamDef		
Range	0 .. 4294967295		
Default value	--		
Post-Build Variant Value	true		
Value Configuration Class	Pre-compile time	X	VARIANT-PRE-COMPILE

	Link time	--	
	Post-build time	X	VARIANT-POST-BUILD
Scope / Dependency	scope: local		

Included Containers		
Container Name	Multiplicity	Scope / Dependency
EepDemEventParameterRefs	0..1	Container for the references to DemEventParameter elements which shall be invoked using the API Dem_SetEventStatus in case the corresponding error occurs. The EventId is taken from the referenced DemEventParameter's DemEventId symbolic value. The standardized errors are provided in this container and can be extended by vendor-specific error references.
EepExternalDriver	0..1	This container is present for external EEPROM drivers only. Internal EEPROM drivers do not use the parameter listed in this container, hence its multiplicity is 0 for internal drivers.

10.2.4 EepDemEventParameterRefs

SWS Item	ECUC_Eep_00200 :
Container Name	EepDemEventParameterRefs
Parent Container	EepInitConfiguration
Description	Container for the references to DemEventParameter elements which shall be invoked using the API Dem_SetEventStatus in case the corresponding error occurs. The EventId is taken from the referenced DemEventParameter's DemEventId symbolic value. The standardized errors are provided in this container and can be extended by vendor-specific error references.
Configuration Parameters	

SWS Item	ECUC_Eep_00204 :		
Name	EEP_E_COMPARE_FAILED		
Parent Container	EepDemEventParameterRefs		
Description	Reference to the DemEventParameter which shall be issued when the error "EEPROM compare failed (HW)" has occurred.		
Multiplicity	0..1		
Type	Symbolic name reference to [DemEventParameter]		
Post-Build Multiplicity	true		
Post-Build Variant Value	true		
Multiplicity Configuration Class	Pre-compile time	X	VARIANT-PRE-COMPILE
	Link time	--	
	Post-build time	X	VARIANT-POST-BUILD
Value Configuration Class	Pre-compile time	X	VARIANT-PRE-COMPILE
	Link time	--	
	Post-build time	X	VARIANT-POST-BUILD
Scope / Dependency	scope: local		

SWS Item	ECUC_Eep_00201 :		
Name	EEP_E_ERASE_FAILED		
Parent Container	EepDemEventParameterRefs		
Description	Reference to the DemEventParameter which shall be issued when the error "EEPROM erase failed (HW)" has occurred.		
Multiplicity	0..1		

Type	Symbolic name reference to [DemEventParameter]		
Post-Build Multiplicity <i>Variant</i>	true		
Post-Build Variant Value	true		
Multiplicity Configuration Class	Pre-compile time	X	VARIANT-PRE-COMPILE
	Link time	--	
	Post-build time	X	VARIANT-POST-BUILD
Value Configuration Class	Pre-compile time	X	VARIANT-PRE-COMPILE
	Link time	--	
	Post-build time	X	VARIANT-POST-BUILD
Scope / Dependency	scope: local		

SWS Item	ECUC_Eep_00203 :		
Name	EEP_E_READ_FAILED		
Parent Container	EepDemEventParameterRefs		
Description	Reference to the DemEventParameter which shall be issued when the error "EEPROM read failed (HW)" has occurred.		
Multiplicity	0..1		
Type	Symbolic name reference to [DemEventParameter]		
Post-Build Multiplicity <i>Variant</i>	true		
Post-Build Variant Value	true		
Multiplicity Configuration Class	Pre-compile time	X	VARIANT-PRE-COMPILE
	Link time	--	
	Post-build time	X	VARIANT-POST-BUILD
Value Configuration Class	Pre-compile time	X	VARIANT-PRE-COMPILE
	Link time	--	
	Post-build time	X	VARIANT-POST-BUILD
Scope / Dependency	scope: local		

SWS Item	ECUC_Eep_00202 :		
Name	EEP_E_WRITE_FAILED		
Parent Container	EepDemEventParameterRefs		
Description	Reference to the DemEventParameter which shall be issued when the error "EEPROM write failed (HW)" has occurred.		
Multiplicity	0..1		
Type	Symbolic name reference to [DemEventParameter]		
Post-Build Multiplicity <i>Variant</i>	true		
Post-Build Variant Value	true		
Multiplicity Configuration Class	Pre-compile time	X	VARIANT-PRE-COMPILE
	Link time	--	
	Post-build time	X	VARIANT-POST-BUILD
Value Configuration Class	Pre-compile time	X	VARIANT-PRE-COMPILE
	Link time	--	
	Post-build time	X	VARIANT-POST-BUILD
Scope / Dependency	scope: local		

No Included Containers

10.2.5 EepExternalDriver

SWS Item	ECUC_Eep_00190 :
-----------------	-------------------------

Container Name	EepExternalDriver
Parent Container	EepInitConfiguration
Description	This container is present for external EEPROM drivers only. Internal EEPROM drivers do not use the parameter listed in this container, hence its multiplicity is 0 for internal drivers.
Configuration Parameters	

SWS Item	ECUC_Eep_00176 :		
Name	EepSpiReference		
Parent Container	EepExternalDriver		
Description	Reference to SPI sequence (required for external EEPROM drivers).		
Multiplicity	1..*		
Type	Symbolic name reference to [SpiSequence]		
Post-Build Variant Multiplicity	true		
Post-Build Variant Value	true		
Multiplicity Configuration Class	Pre-compile time	X	VARIANT-PRE-COMPILE
	Link time	--	
	Post-build time	X	VARIANT-POST-BUILD
Value Configuration Class	Pre-compile time	X	VARIANT-PRE-COMPILE
	Link time	--	
	Post-build time	X	VARIANT-POST-BUILD
Scope / Dependency	scope: local		

No Included Containers

10.2.6 SPI specific extension

[SWS_Eep_00094] [In case of an external SPI EEPROM device, the following parameters shall also be located or referenced (according to the configuration methodology) in the external data structure of type `Eep_ConfigType` (see [ECUC_Eep_00039](#)). They shall be used as API parameters for accessing the SPI Handler/Driver API services. The symbolic names for those parameters are published in the module's description file (see [SWS_Eep_00095](#)).

- All required SPI channels
- All required SPI sequences
- All required SPI jobs] (SRS_BSW_00390, SRS_BSW_00398)

10.3 Published parameters

10.3.1 Basic subset

For details refer to the chapter 10.3 "Published Information" in *SWS_BSWGeneral*.

10.3.2 SPI specific extension

[SWS_Eep_00095] [In case of an external SPI EEPROM device, the following parameters shall be published additionally in the module's description file (see EEP038):

- All SPI channels that are required for EEPROM access (read, write, erase)
- Those channels shall be linked to construct SPI jobs that are linked with chip selected handling. This depends on the specific EEPROM device.
- Those jobs shall be assigned to SPI sequences to be scheduled for SPI transfer

A complete list of required parameters is specified in the SPI Handler/Driver Software Specification.] (SRS_BSW_00390, SRS_BSW_00402)

10.3.3 EepPublishedInformation

SWS Item	ECUC_Eep_00111 :		
Container Name	EepPublishedInformation		
Parent Container	Eep		
Description	Additional published parameters not covered by CommonPublishedInformation container. Note that these parameters do not have any configuration class setting, since they are published information.		
Configuration Parameters			

SWS Item	ECUC_Eep_00177 :		
Name	EepAllowedWriteCycles		
Parent Container	EepPublishedInformation		
Description	Specified maximum number of write cycles under worst case conditions of specific EEPROM hardware (e.g. +90Å°C)		
Multiplicity	1		
Type	EcucIntegerParamDef		
Range	0 .. 4294967295		
Default value	--		
Post-Build Variant Value	false		
Value Configuration Class	Published Information	X	All Variants
Scope / Dependency	scope: local		

SWS Item	ECUC_Eep_00178 :		
Name	EepEraseTime		
Parent Container	EepPublishedInformation		
Description	Maximum time for erasing one EEPROM data unit.		
Multiplicity	1		
Type	EcucFloatParamDef		
Range	[0 .. INF]		
Default value	--		
Post-Build Variant Value	false		
Value Configuration Class	Published Information	X	All Variants
Scope / Dependency	scope: local		

SWS Item	ECUC_Eep_00179 :		
-----------------	-------------------------	--	--

Name	EepEraseUnitSize		
Parent Container	EepPublishedInformation		
Description	Size of smallest erasable EEPROM data unit in bytes.		
Multiplicity	1		
Type	EcucIntegerParamDef		
Range	0 .. 4294967295		
Default value	--		
Post-Build Variant Value	false		
Value Configuration Class	Published Information	X	All Variants
Scope / Dependency	scope: local		

SWS Item	ECUC_Eep_00180 :		
Name	EepEraseValue		
Parent Container	EepPublishedInformation		
Description	Value of an erased EEPROM cell.		
Multiplicity	1		
Type	EcucIntegerParamDef		
Range	0 .. 255		
Default value	--		
Post-Build Variant Value	false		
Value Configuration Class	Published Information	X	All Variants
Scope / Dependency	scope: local		

SWS Item	ECUC_Eep_00181 :		
Name	EepMinimumAddressType		
Parent Container	EepPublishedInformation		
Description	Minimum expected size of Eep_AddressType.		
Multiplicity	1		
Type	EcucIntegerParamDef		
Range	0 .. 4294967295		
Default value	--		
Post-Build Variant Value	false		
Value Configuration Class	Published Information	X	All Variants
Scope / Dependency	scope: local		

SWS Item	ECUC_Eep_00182 :		
Name	EepMinimumLengthType		
Parent Container	EepPublishedInformation		
Description	Minimum expected size of Eep_LengthType.		
Multiplicity	1		
Type	EcucIntegerParamDef		
Range	0 .. 4294967295		
Default value	--		
Post-Build Variant Value	false		
Value Configuration Class	Published Information	X	All Variants
Scope / Dependency	scope: local		

SWS Item	ECUC_Eep_00183 :		
Name	EepReadUnitSize		
Parent Container	EepPublishedInformation		
Description	Size of smallest readable EEPROM data unit in bytes.		
Multiplicity	1		
Type	EcucIntegerParamDef		
Range	0 .. 4294967295		
Default value	--		

Post-Build Variant Value	false		
Value Configuration Class	Published Information	X	All Variants
Scope / Dependency	scope: local		

SWS Item	ECUC_Eep_00187 :		
Name	EepSpecifiedEraseCycles		
Parent Container	EepPublishedInformation		
Description	Number of erase cycles specified for the EEP device (usually given in the device data sheet).		
Multiplicity	1		
Type	EcucIntegerParamDef		
Range	0 .. 4294967295		
Default value	--		
Post-Build Variant Value	false		
Value Configuration Class	Published Information	X	All Variants
Scope / Dependency	scope: local		

SWS Item	ECUC_Eep_00184 :		
Name	EepTotalSize		
Parent Container	EepPublishedInformation		
Description	Total size of EEPROM in bytes. Implementation Type: Eep_LengthType.		
Multiplicity	1		
Type	EcucIntegerParamDef		
Range	0 .. 4294967295		
Default value	--		
Post-Build Variant Value	false		
Value Configuration Class	Published Information	X	All Variants
Scope / Dependency	scope: local		

SWS Item	ECUC_Eep_00185 :		
Name	EepWriteTime		
Parent Container	EepPublishedInformation		
Description	Maximum time for writing one EEPROM data unit.		
Multiplicity	1		
Type	EcucFloatParamDef		
Range	[0 .. INF]		
Default value	--		
Post-Build Variant Value	false		
Value Configuration Class	Published Information	X	All Variants
Scope / Dependency	scope: local		

SWS Item	ECUC_Eep_00186 :		
Name	EepWriteUnitSize		
Parent Container	EepPublishedInformation		
Description	Size of smallest writeable EEPROM data unit in bytes.		
Multiplicity	1		
Type	EcucIntegerParamDef		
Range	0 .. 4294967295		
Default value	--		
Post-Build Variant Value	false		
Value Configuration Class	Published Information	X	All Variants
Scope / Dependency	scope: local		

No Included Containers

10.4 Configuration example—external SPI EEPROM device

The following chapter shall provide a better understanding of how and where configuration parameters are defined and used. For the following use case a detailed implementation and configuration example is given:

Use case

- Implement and configure a driver for operating an external EEPROM device accessed over SPI.
- Use the AUTOSAR SPI Handler/Driver, utilizing internal buffers (IB) for command communication and external buffers (EB) for data.
- Configure and perform an SPI read command.

The example assumes a certain fixed format and order of SPI commands to read from the external EEPROM device. The SPI API functions have been chosen for operating this exemplary device in order to demonstrate the basic principles of SPI bus interaction. When implementing a driver for a real-life device, the sequence of operation will most likely differ. The detailed selection of SPI API functions and parameters to be used and configured needs to be derived from studying the device's data sheet in combination with the SPI handler/driver specification.[5]

Be aware that the use of the SPI API functions is exemplary; their exact signatures and configuration may change. The valid reference is always the current SPI SWS.

10.4.1 External SPI EEPROM device usage scenario

The following scenario is assumed in this example:

The external EEPROM device is an SPI slave device, the EEPROM driver to be implemented uses the SPI handler/driver module for the SPI master. The external device is addressed by a dedicated Chip Select line which will be asserted by the SPI master whenever a job operating on the device is being executed.

The external EEPROM uses serial op-code processing: After the device is selected with its Chip Select line going low, the first byte will be transmitted over the device's SI line. This byte contains an 8-bit Read-operation op-code (0x03), immediately followed by an 8-bit address byte. Upon completion, any data on the SI line will be ignored. The data (D7-D0) at the specified address is then shifted out onto the SO line. If only one byte is to be read, the CS line shall be driven high after the data comes out, otherwise the read sequence will be continued, with the address being automatically incremented and data shifted out on consecutive data.

Whenever the EEPROM driver's user wants to read data, the EEPROM driver forwards the read request to the SPI handler/driver via a number of selected SPI API calls. In order to follow the request/response behavior described above, the SPI needs to be configured exactly to fit the expected communication protocol. Therefore, an important development task consists in correctly configuring the SPI driver for

communication with the external EEPROM device. Based on this configuration, the actual implementation of the EEPROM driver uses the SPI API functions in combination with the configured handle IDs for assigning jobs to the SPI handler/driver:

The EEPROM driver implementation may use a combination of external and internal SPI buffers for achieving the communication with the SPI handler:

Upon reception of an `Eep_Read()` request, the EEPROM driver writes the EEPROM source address in an SPI-channel internal buffer using `Spi_WriteIB()`. Next, it sets up an SPI external buffer specifying the requested number of bytes to be read using `Spi_SetupEB()`. It then calls `Spi_AsyncTransmit()` in order to initiate an SPI sequence *EepReadSequence* configured to match exactly the hardware access protocol outlined above.

Once the SPI read sequence has finished, the SPI handler/driver notifies the EEPROM driver by calling `Spi_SeqEndNotification`. The driver can now safely access the EEPROM data through the assigned external buffer and in turn finish the EEPROM read job.

10.4.2 Configuration of SPI parameters

In order to use the SPI handler/driver, the EEPROM driver implementer needs to create an SPI configuration, containing a complete set of SPI configuration containers such that the required functionality is configured.

Following a top-down view, an `SpiSequence` *EepReadSequence* configuration container handles one complete read sequence. *EepReadSequence* in turn uses an `SpiJob` *EepReadJob* for handling the details of a read job. This includes a reference to an `SpiExternalDevice` representing the EEPROM device with its specified Chip Select line as well as logic level characteristics like e.g. Baud Rate, Polarity or `DataShiftEdge`.

EepReadJob is further broken down into an ordered list of `SpiChannels` which when executed in order will perform the required SPI bus communication with the external device:

- 1) *EepChCommand* is used for sending the `ReadCommand` byte, using a default data constant for the read op-code.
- 2) *EepChAddress* is used for sending the device read address utilizing an internal buffer.
- 3) *EepChReadData* is used for reading the requested EEPROM data into an externally (to SPI) provided buffer.

Roughly, the work flow of configuring the SPI module for an EEPROM read command contains the following steps:

1. In the `EcuConfiguration` for `Spi`, create a container *EepDriver* of type `SpiDriver` representing the external EEPROM driver. It will hold sub containers of type

SpiExternalDevice, SpiChannel, SpiJob and SpiSequence to be created in the steps below.

2. Look up the external device's SPI characteristics in its data sheet and set up a container *EepDevice* of type SpiExternalDevice accordingly. Specify the Chip Select line to be used in *EepDevice*.
3. Look up the details of the SPI read command sequence in the device's data sheet.
4. Within *EepDriver*, define one SpiChannel each for transmitting the Read command opcode, the EEPROM source address and for receiving the data transmitted by the device in response to the request, e.g.
 - a. *EepChCommand*
 - b. *EepChAddress*
 - c. *EepChReadData*
5. Define SPI Channel attributes for each channel based on the communication sequence described in the device data sheet. In particular, configure buffers, i.e. *EepChAddress* to use an internal buffer and *EepChReadData* to use an external buffer. For the fixed read-command opcode, SpiDefaultData can be used.
6. Define the SpiJob *EepReadJob* and set it up to work on EepDevice. Specify the ordered list of SpiJobs to be executed for performing the read job. In this example, the job consists of the channel list *EepChCommand*, *EepChAddress*, *EepChReadData*.
7. Define the SpiSequence *EepReadSequence* containing the list of SpiJobs required to perform the desired functionality. In this example, *EepReadSequence* contains only one job, *EepReadJob*. Fill in the callback function symbols to be provided by the EEPROM driver, e.g. *Eep_ReadSequenceEndNotification*.
8. Publish all defined attributes for SPI usage in the EEPROM driver as an XML description file according to SPI SWS.

10.4.3 Generation of SPI configuration data

As part of the SPI configuration described above, each SpiSequence, SpiJob and SpiChannel has been assigned a handle ID. Based on the XML file, an SPI include file will be generated which publishes this information.

```
#define Spi_EepReadSequence 10
#define Spi_EepReadJob      20
#define Spi_EepChCommand   31
#define Spi_EepChAddress    32
#define Spi_EepChReadData  33
```

10.4.4 SPI API usage

Upon receiving an Eep_Read() request, the EEPROM driver first needs to transfer the necessary information for executing the read command to the SPI handler/driver. It uses the Spi_WriteIB() function to set the device read address in the internal buffer allocated to the *EepChAddress* channel:

```
Spi_WriteIB(Spi_EepChAddress, &EepromAddress);
```

Next, the external buffer is set up for reading the EEPROM device data to:

```
Spi_SetupEB(Spi_EepChReadData, NULL, buf_data, length);
```

Finally, the Read sequence is initiated by calling Spi_AsyncTransmit:

```
Spi_AsyncTransmit(Spi_EepReadSequence);
```

After initiating the transfer, Eep_Read() returns.

The rest of the transfer is autonomously handled by the SPI handler/driver. Once the SPI sequence has finished, the SPI handler will notify the EEPROM driver using the callback Spi_SeqEndNotification. The EEPROM driver main function should ensure that either the sequence has finished successfully and in turn finish up the Eep_Read() request accordingly by signaling EepJobEndNotification; or upon reception of an error it should trigger an EepJobErrorNotification and report an EEP_E_READ_FAILED production error to the DEM.

11 Not applicable requirements

[SWS_Eep_00241] [These requirements are not applicable to this specification.]

(SRS_BSW_00170, SRS_BSW_00399, SRS_BSW_00400, SRS_BSW_00375, SRS_BSW_00416,
SRS_BSW_00168, SRS_BSW_00423, SRS_BSW_00424, SRS_BSW_00426, SRS_BSW_00427,
SRS_BSW_00428, SRS_BSW_00429, SRS_BSW_00432, SRS_BSW_00433, SRS_BSW_00336,
SRS_BSW_00422, SRS_BSW_00417, SRS_BSW_00161, SRS_BSW_00162, SRS_BSW_00005,
SRS_BSW_00164, SRS_BSW_00325, SRS_BSW_00342, SRS_BSW_00343, SRS_BSW_00007,
SRS_BSW_00413, SRS_BSW_00347, SRS_BSW_00307, SRS_BSW_00301, SRS_BSW_00302,
SRS_BSW_00328, SRS_BSW_00312, SRS_BSW_00006, SRS_BSW_00378, SRS_BSW_00306,
SRS_BSW_00308, SRS_BSW_00309, SRS_BSW_00330, SRS_BSW_00331, SRS_BSW_00009,
SRS_BSW_00401, SRS_BSW_00172, SRS_BSW_00010, SRS_BSW_00341, SRS_BSW_00334,
SRS_SPAL_12267, SRS_SPAL_12163, SRS_SPAL_12068, SRS_SPAL_12069, SRS_SPAL_12063,
SRS_SPAL_12129, SRS_SPAL_12067, SRS_SPAL_12077, SRS_SPAL_12078, SRS_SPAL_12092,
SRS_SPAL_12265)