

Document Title	Specification of CAN Network Management
Document Owner	AUTOSAR
Document Responsibility	AUTOSAR
Document Identification No	13
Document Status	published
Part of AUTOSAR Standard	Classic Platform
Part of Standard Release	R19-11

Document Change History			
Date	Release	Changed by	Change Description
2019-11-28	R19-11	AUTOSAR Release Management	<ul style="list-style-type: none"> • Clarification for CAN FD usage • Extended Wait Bus Sleep Handling • Changed Document Status from Final to published
2018-10-31	4.4.0	AUTOSAR Release Management	<ul style="list-style-type: none"> • Header File Cleanup • Removed obsolete elements • Fixed documentation structure
2017-12-08	4.3.1	AUTOSAR Release Management	<ul style="list-style-type: none"> • Node Detection Configuration per channel • Runtime Errors introduced
2016-11-30	4.3.0	AUTOSAR Release Management	<ul style="list-style-type: none"> • API Harmonizations • Improved post-build parameter support and dependencies • Transmission of additional NM message on NM Coordinator Ready Sleep Bit change • Introduction of Reliable TX Confirmation
2015-07-31	4.2.2	AUTOSAR Release Management	<ul style="list-style-type: none"> • Clarification NM message transmission start • Clarification of configuration dependencies • Clarification NM timers while communication is disabled
2014-10-31	4.2.1	AUTOSAR Release Management	<ul style="list-style-type: none"> • Removed obsolete configuration parameters • Partial Network Handling Improvements • Const usage in APIs reworked

Document Change History			
Date	Release	Changed by	Change Description
2014-03-31	4.1.3	AUTOSAR Release Management	<ul style="list-style-type: none"> • Rewording and improving Partial Networking Algorithm Requirements • Remote Sleep Indication Timeout handling corrected • Network Release handling during communication control clarified
2013-10-31	4.1.2	AUTOSAR Release Management	<ul style="list-style-type: none"> • Fixed Message Cycle Time Offset Handling • Corrected Active Wakeup Handling • Editorial changes • Removed chapter(s) on change documentation
2013-03-15	4.1.1	AUTOSAR Administration	<ul style="list-style-type: none"> • Partial Network Handling corrected • Coordinator Support improved • Start-up Handling from Prepare-Bus Sleep clarified
2011-12-22	4.0.3	AUTOSAR Administration	<ul style="list-style-type: none"> • Support for Partial Networking • Support for Car Wakeup • Immediate Transmission of NM-PDUs • Support of a coordinated shutdown with multiple connected gateways
2009-12-18	4.0.1	AUTOSAR Administration	<ul style="list-style-type: none"> • Changed Signature of RxIndication and TriggerTransmit • Faster NM wakeup
2010-02-02	3.1.4	AUTOSAR Administration	<ul style="list-style-type: none"> • Nm User Data accessible through PduR • Changed PDU handle ID exchange with CanIf • No more instance specific CanNm MainFunction() APIs • Legal disclaimer revised
2008-08-13	3.1.1	AUTOSAR Administration	<ul style="list-style-type: none"> • Legal disclaimer revised
2008-02-01	3.0.2	AUTOSAR Administration	<ul style="list-style-type: none"> • Merge CAN NM and Generic NM • Document meta information extended • Small layout adaptations made

Document Change History			
Date	Release	Changed by	Change Description
2007-01-24	2.1.15	AUTOSAR Administration	<ul style="list-style-type: none">• Post build and link-time configuration variant introduced• Configurable NMPDU format introduced• Passive mode introduced • Legal disclaimer revised• Release Notes added• “Advice for users” revised• “Revision Information” added
2005-05-31	1.0	AUTOSAR Administration	<ul style="list-style-type: none">• Initial Release

Disclaimer

This work (specification and/or software implementation) and the material contained in it, as released by AUTOSAR, is for the purpose of information only. AUTOSAR and the companies that have contributed to it shall not be liable for any use of the work.

The material contained in this work is protected by copyright and other types of intellectual property rights. The commercial exploitation of the material contained in this work requires a license to such intellectual property rights.

This work may be utilized or reproduced without any modification, in any form or by any means, for informational purposes only. For any other purpose, no part of the work may be utilized or reproduced, in any form or by any means, without permission in writing from the publisher.

The work has been developed for automotive applications only. It has neither been developed, nor tested for non-automotive applications.

The word AUTOSAR and the AUTOSAR logo are registered trademarks.

Table of Contents

1	Introduction and Functional Overview	9
2	Acronyms and abbreviations	10
3	Related documentation.....	11
3.1	Input documents.....	11
3.2	Related standards and norms	11
3.3	Related specification	11
4	Constraints and assumptions	12
4.1	Limitations.....	12
4.2	Applicability to car domains.....	12
5	Dependencies to other modules.....	13
5.1	File Structure.....	14
5.1.1	Code File Structure	14
5.1.2	Header File Structure	14
6	Requirements traceability	15
7	Functional specification	22
7.1	Coordination algorithm	22
7.2	Operational Modes.....	23
7.2.1	Network Mode.....	23
7.2.2	Prepare Bus-Sleep Mode.....	26
7.2.3	Bus-Sleep Mode	27
7.3	Network states	28
7.4	Initialization	29
7.5	Execution	30
7.5.1	Processor architecture	30
7.5.2	Timing parameters	30
7.6	Network Management PDU Structure.....	30
7.7	Communication Scheduling.....	32
7.7.1	Transmission.....	32
7.7.2	Reception.....	34
7.8	Bus Load Reduction Mechanism.....	34
7.9	Additional features	35
7.9.1	Detection of Remote Sleep Indication.....	35
7.9.2	User Data.....	36
7.9.3	Passive Mode	37
7.9.4	Network Management PDU Rx Indication.....	37
7.9.5	State change notification.....	37
7.9.6	Communication Control.....	38

7.9.7	Coordinator Synchronization Support	38
7.10	Car Wakeup	39
7.10.1	Rx Path	39
7.10.2	Tx Path	40
7.11	Partial Networking	40
7.11.1	Rx Handling of NM PDUs.....	40
7.11.2	Tx Handling of NM PDUs.....	40
7.11.3	NM PDU Filter Algorithm.....	40
7.11.4	Aggregation of Internal and External Requested Partial Networks	42
7.11.5	Aggregation of External Requested Partial Networks	44
7.11.6	Spontaneous Transmission of NM PDUs via CanNm_NetworkRequest	45
7.12	Transmission Error Handling.....	46
7.13	Functional requirements on CanNm API.....	46
7.14	Error classification.....	48
7.14.1	Development Errors	48
7.14.2	Runtime Errors.....	48
7.14.3	Transient Faults	48
7.14.4	Production Errors	48
7.14.5	Extended Production Errors	48
7.15	Error detection.....	48
7.16	Error notification.....	49
7.17	Scheduling of the main function	49
7.18	Application notes.....	49
7.18.1	Wake up notification.....	49
7.18.2	Coordination of coupled networks.....	50
7.19	Summary of CanNm Timing Requirements.....	50
7.20	UML State chart diagram	51
8	API specification.....	52
8.1	Imported Types	52
8.2	Type Definitions	52
8.2.1	CanNm_ConfigType	52
8.3	Function Definitions.....	54
8.3.1	CanNm_Init.....	54
8.3.2	CanNm_DeInit	54
8.3.3	CanNm_PassiveStartUp	55
8.3.4	CanNm_NetworkRequest	56
8.3.5	CanNm_NetworkRelease.....	56
8.3.6	CanNm_DisableCommunication	57
8.3.7	CanNm_EnableCommunication.....	58

8.3.8	CanNm_SetUserData	59
8.3.9	CanNm_GetUserData	59
8.3.10	CanNm_Transmit	60
8.3.11	CanNm_GetNodeIdentifier	61
8.3.12	CanNm_GetLocalNodeIdentifier	62
8.3.13	CanNm_RepeatMessageRequest	62
8.3.14	CanNm_GetPduData	63
8.3.15	CanNm_GetState	64
8.3.16	CanNm_GetVersionInfo	65
8.3.17	CanNm_RequestBusSynchronization	65
8.3.18	CanNm_CheckRemoteSleepIndication	66
8.3.19	CanNm_SetSleepReadyBit	67
8.4	Call-back Notifications	68
8.4.1	CanNm_TxConfirmation	68
8.4.2	CanNm_RxIndication	68
8.4.3	CanNm_ConfirmPnAvailability	69
8.4.4	CanNm_TriggerTransmit	70
8.5	Scheduled Functions	71
8.5.1	CanNm_MainFunction	71
8.6	Expected Interfaces	72
8.6.1	Mandatory Interfaces	72
8.6.2	Optional Interfaces	72
8.6.3	Configurable interfaces	73
8.6.4	Job End Notification	73
8.7	Service Interfaces	73
9	Sequence diagrams	75
9.1	CanNm Transmission	75
9.2	CanNm Reception	75
9.3	Nm Coordination	76
10	Configuration specification	77
10.1	How to read this chapter	77
10.2	Containers and configuration parameters	77
10.2.1	CanNm Global Configuration Overview	77
10.2.2	CanNm 79	
10.2.3	CanNmGlobalConfig	79
10.2.4	CanNm Channel Configuration Overview	85
10.2.5	CanNmChannelConfig	87

10.2.6	CanNmRxPdu	99
10.2.7	CanNmTxPdu	99
10.2.8	CanNmUserDataTxPdu	100
10.2.9	CanNmPnInfo	101
10.2.10	CanNmPnFilterMaskByte	101
10.3	Published parameters	102
11	Examples.....	103
11.1	Example of periodic transmission mode with bus load reduction	103
11.2	Example timing behavior for Network Management PDUs	103
12	Not applicable requirements	105

1 Introduction and Functional Overview

This document describes the concept, core functionality, configurable features, interfaces and configuration issues of the AUTOSAR CAN Network Management (CanNm).

The AUTOSAR CAN Network Management is a hardware independent protocol that can only be used on CAN¹ (for limitations refer to chapter 4.1). Its main purpose is to coordinate the transition between normal operation and bus-sleep mode of the network.

In addition to the core functionality configurable features are provided e.g. to implement a service to detect all present nodes or to detect if all other nodes are ready to sleep.

The CAN Network Management (CanNm) function provides an adaptation between Network Management Interface (NmIf) and CAN Interface (CanIf) module. For a general understanding of the AUTOSAR Network Management functionality please refer to [6].

¹ This includes all in AUTOSAR specified CAN protocols like CAN 2.0, CAN FD or TT CAN.

2 Acronyms and abbreviations

The glossary below includes acronyms and abbreviations relevant to the CanNm module that are not included in the AUTOSAR glossary.

Acronym/abbreviation:	Description:
CanIf	Abbreviation for the CAN Interface
CanNm	Abbreviation for CAN Network Management
CBV	Control Bit Vector
CWU	Car Wakeup
ERA	External Request Array
EIRA	External and Internal Request Array
NM	Network Management
PNC	Partial Network Cluster
PNI	Partial Network Information

Term	Description:
“PDU transmission ability is disabled”	This means that the Network Management PDU transmission has been disabled by the service CanNm_DisableCommunication.
“Repeat Message Request Bit Indication”	CanNm_RxIndication finds the RptMsgRequest set in the Control Bit Vector of a received Network Management PDU.
“PN filter mask”	Vector of filter mask bytes defined by configuration container(s) CanNmPnFilterMaskByte

3 Related documentation

3.1 Input documents

- [1] General Requirements on Basic Software Modules
AUTOSAR_SRS_BSWGeneral.pdf
- [2] Requirements on Network Management
AUTOSAR_SRS_NetworkManagement.pdf
- [3] Specification of CAN Interface
AUTOSAR_SWS_CANInterface.pdf
- [4] Specification of Communication Stack Types
AUTOSAR_SWS_CommunicationStackTypes.pdf
- [5] Specification of ECU Configuration
AUTOSAR_TPS_ECUConfiguration.pdf
- [6] Specification of Generic Network Management Interface
AUTOSAR_SWS_NetworkManagementInterface.pdf
- [7] Specification of Communication Manager
AUTOSAR_SWS_ComManager.pdf
- [8] Specification of Standard Types
AUTOSAR_SWS_StandardTypes.pdf
- [9] General Specification of Basic Software Modules
AUTOSAR_SWS_BSWGeneral.pdf

3.2 Related standards and norms

Not available.

3.3 Related specification

AUTOSAR provides a General Specification on Basic Software modules [9] (SWS BSW General), which is also valid for CAN Network Management.

Thus, the specification SWS BSW General shall be considered as additional and required specification for CAN Network Management.

4 Constraints and assumptions

4.1 Limitations

1. One channel of CanNm is associated with only one network management cluster in one network. One network management cluster can have only one channel of CanNm in one node.
2. One channel of CanNm is associated with only one network within the same ECU.
3. CanNm is only applicable for CAN¹ systems.

The Figure 4-1 presents an AUTOSAR Network Management stack within an example ECU that contains at least one CanNm cluster.

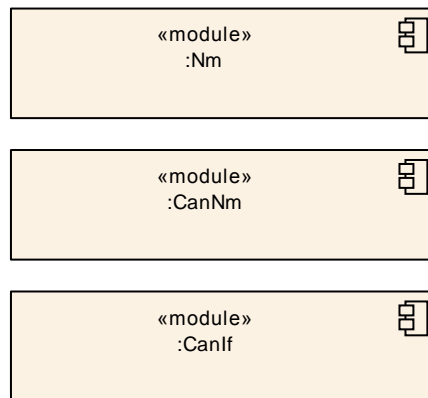


Figure 4-1 AUTOSAR NM Stack on CAN

4.2 Applicability to car domains

The CanNm module can be applied to any car domain under limitations provided above.

5 Dependencies to other modules

CAN Network Management (CanNm) mainly uses services of CAN Interface (CanIf [3]) and provides services to the Generic Network Management Interface (NmIf [6]).

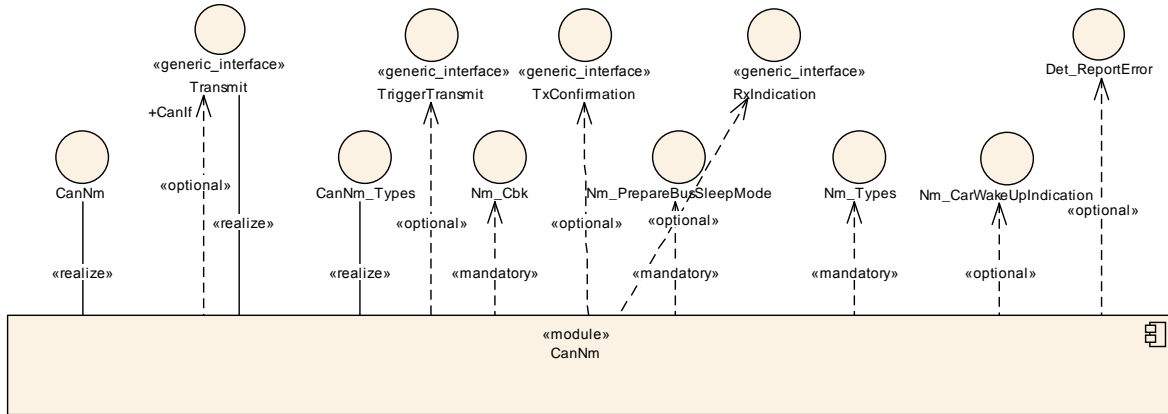


Figure 5-1 Dependencies to other modules

5.1 File Structure

5.1.1 Code File Structure

Please refer to the chapter 5.1.6 Code file structure in “SWS_BSWGeneral” [9].

5.1.2 Header File Structure

Please refer to the chapter 5.1.7 Header file structure in “SWS_BSWGeneral” [9].

[SWS_CanNm_00305] [`ComStack_Types.h` shall be included.

Note: The following header files are indirectly included by `ComStack_Types.h`

- `Std_Types.h` (for AUTOSAR standard types)
- `Platform_Types.h` (for platform specific types)
- `Compiler.h` (for compiler specific language extensions)]
(SRS_BSW_00348, SRS_BSW_00353, SRS_BSW_00361, SRS_BSW_00301)

[SWS_CanNm_00307] [`Nm.h` shall be included for CanNm callbacks to the Generic Network Management Interface.] (SRS_BSW_00301)

[SWS_CanNm_00308] [`Det.h` shall be included for interfacing the Default Error Tracer.] (SRS_BSW_00301)

[SWS_CanNm_00309] [`NmStack_Types.h` shall be included for common network management types.] (SRS_BSW_00301)

[SWS_CanNm_00312] [`CanIf.h` shall be included for interfacing the CanIf.] (SRS_BSW_00301)

[SWS_CanNm_00326] [`PduR_CanNm.h` shall be included if COM user data support is enabled.] (SRS_BSW_00301)

6 Requirements traceability

Requirement	Description	Satisfied by
SRS_BSW_00005	Modules of the μ C Abstraction Layer (MCAL) may not have hard coded horizontal interfaces	SWS_CanNm_NA_1
SRS_BSW_00010	The memory consumption of all Basic SW Modules shall be documented for a defined configuration for all supported platforms.	SWS_CanNm_NA_8
SRS_BSW_00160	Configuration files of AUTOSAR Basic SW module shall be readable for human beings	SWS_CanNm_NA_8
SRS_BSW_00161	The AUTOSAR Basic Software shall provide a microcontroller abstraction layer which provides a standardized interface to higher software layers	SWS_CanNm_NA_1
SRS_BSW_00162	The AUTOSAR Basic Software shall provide a hardware abstraction layer	SWS_CanNm_NA_1
SRS_BSW_00164	The Implementation of interrupt service routines shall be done by the Operating System, complex drivers or modules	SWS_CanNm_NA_1
SRS_BSW_00168	SW components shall be tested by a function defined in a common API in the Basis-SW	SWS_CanNm_NA_0
SRS_BSW_00170	The AUTOSAR SW Components shall provide information about their dependency from faults, signal qualities, driver demands	SWS_CanNm_NA_0
SRS_BSW_00172	The scheduling strategy that is built inside the Basic Software Modules shall be compatible with the strategy used in the system	SWS_CanNm_NA_8
SRS_BSW_00301	All AUTOSAR Basic Software Modules shall only import the necessary information	SWS_CanNm_00305, SWS_CanNm_00307, SWS_CanNm_00308, SWS_CanNm_00309, SWS_CanNm_00312, SWS_CanNm_00326
SRS_BSW_00314	All internal driver modules shall separate the interrupt frame definition from the	SWS_CanNm_NA_1

	service routine	
SRS_BSW_00323	All AUTOSAR Basic Software Modules shall check passed API parameters for validity	SWS_CanNm_00244
SRS_BSW_00325	The runtime of interrupt service routines and functions that are running in interrupt context shall be kept short	SWS_CanNm_NA_1
SRS_BSW_00334	All Basic Software Modules shall provide an XML file that contains the meta data	SWS_CanNm_NA_8
SRS_BSW_00336	Basic SW module shall be able to shutdown	SWS_CanNm_91002, SWS_CanNm_NA_6
SRS_BSW_00341	Module documentation shall contains all needed informations	SWS_CanNm_NA_8
SRS_BSW_00347	A Naming seperation of different instances of BSW drivers shall be in place	SWS_CanNm_NA_1
SRS_BSW_00348	All AUTOSAR standard types and constants shall be placed and organized in a standard type header file	SWS_CanNm_00305
SRS_BSW_00353	All integer type definitions of target and compiler specific scope shall be placed and organized in a single type header	SWS_CanNm_00305
SRS_BSW_00361	All mappings of not standardized keywords of compiler specific scope shall be placed and organized in a compiler specific type and keyword header	SWS_CanNm_00305
SRS_BSW_00369	All AUTOSAR Basic Software Modules shall not return specific development error codes via the API	SWS_CanNm_00352
SRS_BSW_00375	Basic Software Modules shall report wake-up reasons	SWS_CanNm_NA_1
SRS_BSW_00413	An index-based accessing of the instances of BSW modules shall be done	SWS_CanNm_NA_1
SRS_BSW_00416	The sequence of modules to be initialized shall be configurable	SWS_CanNm_NA_2
SRS_BSW_00417	Software which is not part of the SW-C shall report	SWS_CanNm_NA_7

	error events only after the DEM is fully operational.	
SRS_BSW_00423	BSW modules with AUTOSAR interfaces shall be describable with the means of the SW-C Template	SWS_CanNm_NA_0
SRS_BSW_00424	BSW module main processing functions shall not be allowed to enter a wait state	SWS_CanNm_NA_1
SRS_BSW_00425	The BSW module description template shall provide means to model the defined trigger conditions of schedulable objects	SWS_CanNm_NA_3
SRS_BSW_00426	BSW Modules shall ensure data consistency of data which is shared between BSW modules	SWS_CanNm_NA_4
SRS_BSW_00427	ISR functions shall be defined and documented in the BSW module description template	SWS_CanNm_NA_3
SRS_BSW_00429	Access to OS is restricted	SWS_CanNm_NA_1
SRS_BSW_00432	Modules should have separate main processing functions for read/receive and write/transmit data path	SWS_CanNm_NA_5
SRS_Nm_00043	NM shall not prohibit bus traffic with NM not being initialized	SWS_CanNm_NA_8
SRS_Nm_00044	The NM shall be applicable to different types of communication systems which are in the scope of Autosar and support a bus sleep mode.	SWS_CanNm_NA_8
SRS_Nm_00045	NM has to provide services to coordinate shutdown of NM-clusters independently of each other	SWS_CanNm_00104, SWS_CanNm_00105
SRS_Nm_00046	It shall be possible to trigger the startup of all Nodes at any Point in Time.	SWS_CanNm_00129
SRS_Nm_00047	NM shall provide a service to request to keep the bus awake and a service to cancel this request.	SWS_CanNm_00104, SWS_CanNm_00105
SRS_Nm_00048	NM shall put the communication controller into sleep mode if there is no bus communication	SWS_CanNm_NA_8

SRS_Nm_00050	The NM shall provide the current state of NM	SWS_CanNm_00091
SRS_Nm_00051	NM shall inform application when NM state changes occur.	SWS_CanNm_00097, SWS_CanNm_00114, SWS_CanNm_00115, SWS_CanNm_00126, SWS_CanNm_00166
SRS_Nm_00052	The NM interface shall signal to the application that all other ECUs are ready to sleep.	SWS_CanNm_00150, SWS_CanNm_00153
SRS_Nm_00053	NM on a node which is or become bus unavailable shall have a deterministic Behavior	SWS_CanNm_00103, SWS_CanNm_00106, SWS_CanNm_00109, SWS_CanNm_00110, SWS_CanNm_00118
SRS_Nm_00054	There shall be a deterministic time from the point where all nodes agree to go to bus sleep to the point where bus is switched off.	SWS_CanNm_00088
SRS_Nm_00137	NM shall perform communication system error handling for errors that have impact on the NM behavior.	SWS_CanNm_00064, SWS_CanNm_00065, SWS_CanNm_00066, SWS_CanNm_00193, SWS_CanNm_00194, SWS_CanNm_00446
SRS_Nm_00142	NM shall guarantee an upper limit for the bus load generated by NM itself.	SWS_CanNm_NA_8
SRS_Nm_00143	The bus load caused by NM shall be predictable.	SWS_CanNm_NA_8
SRS_Nm_00145	On a properly configured node, NM shall tolerate a loss of a predefined number of NM messages	SWS_CanNm_NA_8
SRS_Nm_00146	The NM shall tolerate a time jitter of NM messages in one or more ECUs	SWS_CanNm_NA_8
SRS_Nm_00147	The NM algorithm shall be processor independent.	SWS_CanNm_NA_8
SRS_Nm_00148	The specification and implementation shall be split-up into a communication system independent and communication system dependent parts	SWS_CanNm_NA_8
SRS_Nm_00149	The timing of NM shall be configurable.	SWS_CanNm_00088, SWS_CanNm_NA_8
SRS_Nm_00150	Specific functions of the Network Management shall be statically configurable at pre-compile time	SWS_CanNm_NA_8
SRS_Nm_00151	The Network Management	SWS_CanNm_00099, SWS_CanNm_00124,

	algorithm shall allow any node to integrate into an already running NM cluster	SWS_CanNm_00127
SRS_Nm_00153	The Network Management shall optionally provide a possibility to detect present nodes	SWS_CanNm_00014, SWS_CanNm_00111, SWS_CanNm_00112, SWS_CanNm_00113, SWS_CanNm_00119, SWS_CanNm_00120, SWS_CanNm_00121
SRS_Nm_00154	The Network Management API shall be independent from the communication bus	SWS_CanNm_NA_8
SRS_Nm_02503	The NM API shall optionally give the possibility to send user data	SWS_CanNm_00013, SWS_CanNm_00159, SWS_CanNm_00328, SWS_CanNm_00350, SWS_CanNm_00351
SRS_Nm_02504	The NM API shall optionally give the possibility to get user data	SWS_CanNm_00160
SRS_Nm_02505	The NM shall optionally set the local node identifier to the NM-message	SWS_CanNm_00074
SRS_Nm_02506	The NM API shall give the possibility to read the source node identifier of the sender	SWS_CanNm_00132
SRS_Nm_02508	Every node shall have associated with it a node identifier that is unique in the NM-cluster	SWS_CanNm_NA_8
SRS_Nm_02509	The NM interface shall signal to the application that at least one other ECUs is not ready to sleep anymore.	SWS_CanNm_00151, SWS_CanNm_00152, SWS_CanNm_00153
SRS_Nm_02510	For CAN NM it shall be optionally possible to immediately transmit the confirmation	SWS_CanNm_00071, SWS_CanNm_00072, SWS_CanNm_00100, SWS_CanNm_00284
SRS_Nm_02511	It shall be possible to configure the Network Management of a node in Cluster Shutdown	SWS_CanNm_00161
SRS_Nm_02512	The NM shall give the possibility to enable or disable the network management related communication configured for an active NM node	SWS_CanNm_00170, SWS_CanNm_00173, SWS_CanNm_00176, SWS_CanNm_00178
SRS_Nm_02513	NM shall provide functionality which enables upper layers to control the sleep mode.	SWS_CanNm_00104, SWS_CanNm_00105
SRS_Nm_02514	It shall be possible to group networks into NM	SWS_CanNm_NA_8

	Coordination Clusters	
SRS_Nm_02515	NM shall offer a generic possibility to run other NMs than the AUTOSAR-NMs	SWS_CanNm_NA_8
SRS_Nm_02516	All AUTOSAR NM instances shall support the NM Coordinator functionality including Bus synchronization on demand	SWS_CanNm_00130, SWS_CanNm_00226, SWS_CanNm_00280
SRS_Nm_02517	Nm shall support Partial Networking on CAN, FlexRay and Ethernet	SWS_CanNm_00403, SWS_CanNm_00404, SWS_CanNm_00409, SWS_CanNm_00410, SWS_CanNm_00411, SWS_CanNm_00412, SWS_CanNm_00413, SWS_CanNm_00414, SWS_CanNm_00415, SWS_CanNm_00416, SWS_CanNm_00417, SWS_CanNm_00419, SWS_CanNm_00420, SWS_CanNm_00421, SWS_CanNm_00424, SWS_CanNm_00426, SWS_CanNm_00427, SWS_CanNm_00428, SWS_CanNm_00429, SWS_CanNm_00431, SWS_CanNm_00432, SWS_CanNm_00435, SWS_CanNm_00437, SWS_CanNm_00438, SWS_CanNm_00439, SWS_CanNm_00442, SWS_CanNm_00443, SWS_CanNm_00444, SWS_CanNm_00445
SRS_Nm_02518	Nm shall be able to distinguish between NM Messages	SWS_CanNm_00411, SWS_CanNm_00412, SWS_CanNm_00413, SWS_CanNm_00414
SRS_Nm_02520	Nm shall evaluate the PNI bit in the NM message	SWS_CanNm_00410, SWS_CanNm_00411, SWS_CanNm_00412
SRS_Nm_02521	Nm shall set the PNI bit for requesting Partial Network functionality	SWS_CanNm_00413
SRS_Nm_02522	Nm shall calculate the combined partial network request status EIRA	SWS_CanNm_00424, SWS_CanNm_00426, SWS_CanNm_00427, SWS_CanNm_00428, SWS_CanNm_00429, SWS_CanNm_00431
SRS_Nm_02523	Nm shall calculate the status of the external partial network requests ERA	SWS_CanNm_00435, SWS_CanNm_00437, SWS_CanNm_00438, SWS_CanNm_00439, SWS_CanNm_00442
SRS_Nm_02524	Nm shall communicate EIRA and ERA requests to the upper layers using virtual PDUs	SWS_CanNm_00432, SWS_CanNm_00443
SRS_Nm_02525	Nm shall support channel-specific configuration for ERA	SWS_CanNm_NA_8
SRS_Nm_02526	Nm shall support a global configuration for EIRA over all channels	SWS_CanNm_NA_8
SRS_Nm_02527	CanNm shall implement a filter algorithm dropping all NM messages that are not relevant for the ECU	SWS_CanNm_00333, SWS_CanNm_00403, SWS_CanNm_00404, SWS_CanNm_00415, SWS_CanNm_00417, SWS_CanNm_00419, SWS_CanNm_00420, SWS_CanNm_00421
SRS_Nm_02528	CanNm shall provide a	SWS_CanNm_00444

	service which allows for spontaneous sending of NM messages.	
SRS_Nm_02529	If partial networking is used, the ECU shall secure that the first message on the bus is the wakeup frame.	SWS_CanNm_00446
SRS_Nm_02530	CanIf shall provide an optional channel-specific TX filter	SWS_CanNm_NA_8
SRS_Nm_02531	CanIf shall provide the possibility to initiate clear and check wake-up flags in the transceiver	SWS_CanNm_NA_8
SRS_Nm_02532	When full communication is requested, CanSm shall enable pass mode on the CanIf TX filter	SWS_CanNm_NA_8
SRS_Nm_02533	CanSm shall provide the possibility to initiate clear and check wake-up flags in the transceiver	SWS_CanNm_NA_8
SRS_Nm_02534	CanSm shall support a validPN shutdown sequence	SWS_CanNm_NA_8
SRS_Nm_02535	NM coordination on Nested Sub-Buses	SWS_CanNm_NA_8
SRS_Nm_02536	NM shall provide an interface which triggers the transition to the Network Mode without keeping the network awake	SWS_CanNm_00128
SRS_Nm_02537	The NM Coordinator shall be able to abort the coordinated shutdown	SWS_CanNm_NA_8

Details about the SRS Requirements can be found in AUTOSAR General Requirements on Basic Software Modules [1] and AUTOSAR Requirements on Basic Software, Module NM [2].

7 Functional specification

7.1 Coordination algorithm

The AUTOSAR CanNm is based on decentralized direct network management strategy, which means that every network node performs activities self-sufficient depending on the Network Management PDUs only that are received or transmitted within the communication system.

The AUTOSAR CanNm algorithm is based on periodic Network Management PDUs, which are received by all nodes in the cluster via broadcast transmission. Reception of Network Management PDUs indicates that sending nodes want to keep the network management cluster awake. If any node is ready to go to the Bus-Sleep Mode, it stops sending Network Management PDUs, but as long as Network Management PDUs from other nodes are received, it postpones transition to the Bus-Sleep Mode. Finally, if a dedicated timer elapses because no Network Management PDUs are received anymore, every node initiates transition to the Bus-Sleep Mode.

If any node in the network management cluster requires bus-communication, it can wake-up the network management cluster from the Bus-Sleep Mode by transmitting Network Management PDUs. For more details concerning wakeup procedure itself please refer to the AUTOSAR SWS ComM [7].

The main concept of the AUTOSAR CanNm algorithm can be defined by the following two key-requirements:

[SWS_CanNm_00087] [Every network node in a CanNm cluster shall transmit periodic Network Management PDUs as long as it requires bus-communication; otherwise it shall transmit no Network Management PDUs.] ()

[SWS_CanNm_00088] [If `CanNmStayInPbsEnabled` is disabled and bus communication in a CanNm cluster is released and there are no Network Management PDUs on the bus for a configurable amount of time determined by `CanNmTimeoutTime` + `CanNmWaitBusSleepTime` (both configuration parameters) transition into the Bus-Sleep Mode shall be performed.] (SRS_Nm_00054, SRS_Nm_00149)

The overall state machine of the AUTOSAR CanNm algorithm can be defined as follows:

[SWS_CanNm_00089] [The AUTOSAR CanNm state machine shall contain states, transitions and triggers required for the AUTOSAR CanNm algorithm seen from point of view of one single node in the network management cluster.] ()

Note: State transitions have to be performed latest within the next main function.

Note: An UML state chart of the AUTOSAR CanNm state machine from point of view of one single node in the network management cluster can be found in detail in the API specification chapter 8).

7.2 Operational Modes

In the following chapter operational modes of the AUTOSAR CanNm algorithm are described in detail.

[SWS_CanNm_00092] [The AUTOSAR CanNm shall contain three operational modes visible at the module's interface:

- Network Mode
- Prepare Bus-Sleep Mode
- Bus-Sleep Mode] ()

[SWS_CanNm_00093] [Changes of the AUTOSAR CanNm operational modes shall be notified to the upper layer by means of callback functions.] ()

[SWS_CanNm_00091] [When `CanNm_GetState` is called CanNm shall return the current NM state and mode.] (SRS_Nm_00050)

7.2.1 Network Mode

[SWS_CanNm_00094] [The Network Mode shall consist of three internal states:

- Repeat Message State
- Normal Operation State
- Ready Sleep State] ()

[SWS_CanNm_00314] [When the Network Mode is entered from Bus-Sleep, by default, the CanNm module shall enter the Repeat Message State.] ()

[SWS_CanNm_00315] [When the Network Mode is entered from Prepare Bus-Sleep Mode, by default, the CanNm module shall enter the Repeat Message State.] ()

[SWS_CanNm_00096] [When the Network Mode is entered, the CanNm module shall start the NM-Timeout Timer.] ()

[SWS_CanNm_00097] [When the Network Mode is entered, CanNm shall notify the upper layer of the new current operational mode by calling the callback function `Nm_NetworkMode.`] (SRS_Nm_00051)

[SWS_CanNm_00098] [At successful reception of a Network Management PDU (call of `CanNm_RxIndication`) in the Network Mode, the CanNm module shall restart the NM-Timeout Timer if PDU transmission ability is enabled.] ()

[SWS_CanNm_00099] [At successful transmission of a Network Management PDU (call of `CanNm_TxConfirmation` with `E_OK`) in the Network Mode, the CanNm module shall restart the NM-Timeout Timer.] (SRS_Nm_00151)

Note: If `CanNmImmediateTxConfEnabled` is enabled it is assumed that each Network Management PDU transmission request results in a successful Network Management PDU transmission.

[SWS_CanNm_00206] [The CAN NM module shall reset the NM-Timeout Timer every time it is started or restarted.] ()

[SWS_CanNm_00147] [If `CanNm_PassiveStartUp` is called in the Network Mode, the CanNm module shall not execute this service and shall return `E_NOT_OK`.] ()

7.2.1.1 Repeat Message State

For nodes that are not in passive mode (refer to chapter 7.9.3) the Repeat Message State ensures, that any transition from Bus-Sleep or Prepare Bus-Sleep to the Network Mode becomes visible to the other nodes on the network. Additionally it ensures that any node stays active for a minimum amount of time. It can be used for detection of present nodes.

[SWS_CanNm_00100] [When the Repeat Message State is entered the CanNm module shall (re-)start transmission of Network Management PDUs unless passive mode is enabled and/or communication is disabled.] (SRS_Nm_02510)

[SWS_CanNm_00101] [When the NM-Timeout Timer expires in the Repeat Message State, the CanNm module shall (re-)start the NM-Timeout Timer.] ()

[SWS_CanNm_00102] [The network management state machine shall stay in the Repeat Message State for a configurable amount of time determined by the `CanNmRepeatMessageTime` (configuration parameter); after that time the CanNm module shall leave the Repeat Message State.] ()

[SWS_CanNm_00103] [When Repeat Message State is left and if the network has been requested (see [SWS_CanNm_00104](#)), the CanNm module shall enter the Normal Operation State.] (SRS_Nm_00053)

[SWS_CanNm_00106] [When Repeat Message State is left and if the network has been released (see [SWS_CanNm_00105](#)), the CanNm module shall enter the Ready Sleep State.] (SRS_Nm_00053)

[SWS_CanNm_00107] [If `CanNmNodeDetectionEnabled` is set to TRUE CanNm shall clear the Repeat Message Bit when leaving the Repeat Message State.] ()

[SWS_CanNm_00137] [If the service `CanNm_RepeatMessageRequest` is called in Repeat Message State, Prepare Bus-Sleep Mode or Bus-Sleep Mode, the CanNm module shall not execute the service and return `E_NOT_OK`.] ()

7.2.1.2 Normal Operation State

The Normal Operation State ensures that any node can keep the network management cluster awake as long as the network is requested.

[SWS_CanNm_00116] [When the Normal Operation State is entered from Ready Sleep State, the CanNm module shall start transmission of Network Management PDUs.] ()

Note: If passive mode is enabled or the Network Management PDU transmission ability has been disabled no NM PDUs are transmitted, therefore no action is required.

[SWS_CanNm_00117] [When the NM-Timeout Timer expires in the Normal Operation State, the CanNm module shall (re-)start the NM-Timeout Timer.] ()

[SWS_CanNm_00118] [When the network is released and the current state is Normal Operation State, the CanNm module shall enter the Ready Sleep state (refer to [SWS_CanNm_00105](#)).] (SRS_Nm_00053)

[SWS_CanNm_00119] [If `CanNmNodeDetectionEnabled` is set to TRUE and Repeat Message Request Bit is received in the Normal Operation State, the CanNm module shall enter the Repeat Message State.] (SRS_Nm_00153)

[SWS_CanNm_00120] [If `CanNmNodeDetectionEnabled` is set to TRUE and function `CanNm_RepeatMessageRequest` is called in the Normal Operation State, the CanNm module shall enter the Repeat Message State.] (SRS_Nm_00153)

[SWS_CanNm_00121] [If `CanNmNodeDetectionEnabled` is set to TRUE and function `CanNm_RepeatMessageRequest` is called in the Normal Operation State the CanNm module shall set the Repeat Message Bit.] (SRS_Nm_00153)

7.2.1.3 Ready Sleep State

The Ready Sleep State ensures that any node in the network management cluster waits with transition to the Prepare Bus-Sleep Mode as long as any other node keeps the network management cluster awake.

[SWS_CanNm_00108] [When the Ready Sleep State is entered from Repeat Message State or Normal Operation State, the CanNm module shall stop transmission of Network Management PDUs.] ()

Note: If passive mode is enabled no NM PDUs are transmitted, therefore no action is required.

[SWS_CanNm_00109] [When the NM-Timeout Timer expires in the Ready Sleep State, the CanNm module shall enter the Prepare Bus-Sleep Mode.] (SRS_Nm_00053)

[SWS_CanNm_00110] [When the network is requested and the current state is the Ready Sleep State, the CanNm module shall enter Normal Operation State (refer to [SWS_CanNm_00104](#)).] (SRS_Nm_00053)

[SWS_CanNm_00111] [If `CanNmNodeDetectionEnabled` is set to TRUE and Repeat Message Request Bit is received in the Ready Sleep State, the CanNm module shall enter the Repeat Message State.] (SRS_Nm_00153)

[SWS_CanNm_00112] [If `CanNmNodeDetectionEnabled` is set to TRUE and function `CanNm_RepeatMessageRequest` is called in the Ready Sleep State, the CanNm module shall enter the Repeat Message State.] (SRS_Nm_00153)

[SWS_CanNm_00113] [If `CanNmNodeDetectionEnabled` is set to TRUE and function `CanNm_RepeatMessageRequest` is called in Ready Sleep State the CanNm module shall set the Repeat Message Bit.] (SRS_Nm_00153)

7.2.2 Prepare Bus-Sleep Mode

The purpose of the Prepare Bus-Sleep Mode is to ensure that all nodes have time to stop their network activity before the Bus-Sleep Mode is entered. In Prepare Bus-Sleep Mode the bus activity is calmed down (i.e. queued messages are transmitted in order to make all Tx-buffers empty) and finally there is no activity on the bus in the Prepare Bus-Sleep Mode.

[SWS_CanNm_00114] [When Prepare Bus-Sleep Mode is entered, the CanNm module shall notify the upper layer by calling `Nm_PrepareBusSleepMode`.] (SRS_Nm_00051)

[SWS_CanNm_00115] [If `CanNmStayInPbsEnabled` is disabled CanNm shall stay in the Prepare Bus-Sleep Mode for a configurable amount of time determined by the `CanNmWaitBusSleepTime` (configuration parameter); after that time the Prepare Bus-Sleep Mode shall be left and the Bus-Sleep Mode shall be entered.] (SRS_Nm_00051)

Note: This requirement implicitly contains that if `CanNmStayInPbsEnabled` is enabled CanNm will never be left due to a timeout, i.e. CanNm will stay in Prepare Bus-Sleep Mode until either ECU goes to Power Off or any restart reason applies (e.g. see following requirements).

[SWS_CanNm_00124] [At successful reception of a Network Management PDU in the Prepare Bus-Sleep Mode, the CanNm Module shall enter the Network Mode; by default the CanNm Module shall enter the Repeat Message State (refer to [SWS_CanNm_00315](#)).] (SRS_Nm_00151)

[SWS_CanNm_00123] [When the network is requested in the Prepare Bus-Sleep Mode, the CanNm module shall enter the Network Mode; by default the CanNm Module shall enter the Repeat Message State (refer to [SWS_CanNm_00315](#)).] ()

[SWS_CanNm_00122] [When the network has been requested (see [SWS_CanNm_00104](#)) in the Prepare Bus-Sleep Mode and the CanNm module has entered Network Mode and if `CanNmImmediateRestartEnabled` (configuration parameter) is set to TRUE, the CanNm module shall transmit a Network Management PDU.] ()

Rationale: Other nodes in the cluster are still in Prepare Bus-Sleep Mode; in the exceptional situation described above transition into the Bus-Sleep Mode shall be avoided and bus-communication shall be restored as fast as possible.

Caused by the transmission offset for Network Management PDUs in CanNm, the transmission of the first Network Management PDU in Repeat Message State can be delayed significantly. In order to avoid a delayed re-start of the network the transmission of a Network Management PDU can be requested immediately.

Note: If `CanNmImmediateRestartEnabled` is set to TRUE and a wake-up line is used, a burst of Network Management PDUs occurs if all network nodes get a network request in Prepare Bus-Sleep Mode.

7.2.3 Bus-Sleep Mode

The purpose of the Bus-Sleep Mode is to reduce power consumption in the node when no messages are to be exchanged. The communication controller is switched into the sleep mode, respective wakeup mechanisms are activated and finally power consumption is reduced to the adequate level in the Bus-Sleep Mode.

If `CanNmStayInPbsEnabled` is disabled and a configurable amount of time determined by the `CanNmTimeoutTime + CanNmWaitBusSleepTime` (both configuration parameters) is identically configured for all nodes in the network management cluster, all nodes in the network management cluster that are coordinated with use of the AUTOSAR NM algorithm perform the transition into the Bus-Sleep Mode at approximately the same time.

Note: The parameters `CanNmTimeoutTime` and `CanNmWaitBusSleepTime` should have the same values within all network nodes of the network management cluster. Depending on the specific implementation, transition into the Bus-Sleep Mode takes place exactly or approximately at the same time; time jitter for this transition depends on the following factors:

- internal clock precision (oscillator's drift),
- NM-task cycle time (if tasks are not synchronized with a global time),
- Network Management PDU waiting time in the Tx-queue (if transmission confirmation is made immediately after transmit request).

In the best case only oscillator's drift should be taken into account for a configurable amount of time determined by the value `CanNmTimeoutTime + CanNmWaitBusSleepTime` (both configuration parameters).

[SWS_CanNm_00126] [When Bus-Sleep Mode is entered, except by default at initialization, the CanNm module shall notify the upper layer by calling the callback function `Nm_BusSleepMode.`] (SRS_Nm_00051)

[SWS_CanNm_00127] [When the CanNm module successfully receives a Network Management PDU (call of `CanNm_RxIndication`) in the Bus-Sleep Mode, the CanNm module shall notify the upper layer by calling the callback function `Nm_NetworkStartIndication.`] (SRS_Nm_00151)

Rationale: To avoid race conditions and state inconsistencies between Network and Mode Management, CanNm will not automatically perform the transition from Bus-Sleep Mode to Network Mode. CanNm will only inform the upper layers which have to make the wake-up decision. Network Management PDU reception in Bus-Sleep Mode must be handled depending on the current state of the ECU shutdown/startup process.

[SWS_CanNm_00336] [When the CanNm module successfully receives a Network Management PDU (call of `CanNm_RxIndication`) in the Bus-Sleep Mode, the CanNm module shall report the error `CANNM_E_NET_START_IND` to the DET.] ()

[SWS_CanNm_00128] [If `CanNm_PassiveStartUp` is called in the Bus-Sleep Mode or Prepare Bus-Sleep Mode, the CanNm module shall enter the Network Mode; by default the CanNm module shall enter the Repeat Message State (refer to [SWS_CanNm_00314](#) and [SWS_CanNm_00315](#)).] (SRS_Nm_02536)

Note: In the Prepare Bus-Sleep Mode and Bus-Sleep Mode is assumed that the network is released, unless bus communication is explicitly requested.

[SWS_CanNm_00129] [When the network is requested in Bus-Sleep Mode, the CanNm module shall enter the Network Mode; by default the CanNm module shall enter the Repeat Message State (refer to [SWS_CanNm_00314](#) and [SWS_CanNm_00104](#)).] (SRS_Nm_00046)

7.3 Network states

Network states (i.e. 'requested' and 'released') are two additional states of the AUTOSAR CanNm state machine that exist in parallel to the state machine. Network states denote, whether the software components need to communicate on the bus (the network state is then 'requested'); or whether the software components don't have to communicate on the bus (the bus network state is then 'released'); note that if the network is released an ECU may still communicate because some other ECU still request the network.

[SWS_CanNm_00104] [The function call `CanNm_NetworkRequest` shall request the network. I.e. the CanNm module shall change network state to 'requested'.] (SRS_Nm_00045, SRS_Nm_00047, SRS_Nm_02513)

[SWS_CanNm_00105] [The function call `CanNm_NetworkRelease` shall release the network. I.e. the CanNm module shall change network state to 'released'.] (SRS_Nm_00045, SRS_Nm_00047, SRS_Nm_02513)

7.4 Initialization

[SWS_CanNm_00141] [If the initialization of the CanNm module (`CanNm_Init`) is successful, the CanNm module shall set the Network Management State to Bus-Sleep Mode.] ()

Note: The CanNm module should be initialized after CanIf is initialized and before any other network management service is called.

[SWS_CanNm_00143] [When initialized, by default, the CanNm module shall set the network state to 'released'] ()

[SWS_CanNm_00144] [When initialized, by default, the CanNm module shall enter the Bus-Sleep Mode.] ()

[SWS_CanNm_00060] [The function `CanNm_Init` shall select the active configuration set by means of a configuration pointer parameter being passed (see 8.3.1).] ()

[SWS_CanNm_00061] [If `CanNmGlobalPnSupport` is set to `TRUE` and CanNm is initialized (call of `CanNm_Init`) then CanNm shall stop the NM Message Tx Timeout Timer.] ()

[SWS_CanNm_00023] [During initialization the CanNm module shall deactivate the bus load reduction.] ()

[SWS_CanNm_00033] [After initialization the CanNm module shall stop the transmission of Network Management PDUs by stopping the Message Cycle Timer.] ()

Note: If `CanNmPassiveModeEnabled` is set to `TRUE` the CanNm Message Cycle is not needed, because no Network Management PDUs are transmitted by such nodes.

[SWS_CanNm_00025] [During initialization the CanNm module shall set each byte of the user data to `0xFF`.] ()

[SWS_CanNm_00085] [During initialization the CanNm module shall set the Control Bit Vector to `0x00`.] ()

7.5 Execution

7.5.1 Processor architecture

[SWS_CanNm_00146] [The AUTOSAR CanNm algorithm shall be processor independent, which means; it shall not rely on any processor specific hardware support and thus shall be realizable on any processor architecture that is in the scope of AUTOSAR.] ()

7.5.2 Timing parameters

[SWS_CanNm_00246] [The configuration parameter `CanNmTimeoutTime` shall determine the AUTOSAR CanNm timing parameter NM-Timeout Time.] ()

[SWS_CanNm_00247] [The configuration parameter `CanNmRepeatMessageTime` shall determine the AUTOSAR CanNm timing parameter Repeat Message Time.] ()

[SWS_CanNm_00248] [The configuration parameter `CanNmWaitBusSleepTime` shall determine the AUTOSAR CanNm timing parameter Wait Bus-Sleep Time.] ()

[SWS_CanNm_00249] [The configuration parameter `CanNmRemoteSleepIndTime` shall determine the AUTOSAR CanNm timing parameter Remote Sleep Indication Time.] ()

7.6 Network Management PDU Structure

The figure below shows the format of the Network Management PDU for an example with 8 bytes where source node identifier is located in the first byte and the control bit vector at the second byte:

	Bit 7	Bit 6	Bit 5	Bit 4	Bit 3	Bit 2	Bit 1	Bit 0
Byte 7	User data 5							
Byte 6	User data 4							
Byte 5	User data 3							
Byte 4	User data 2							
Byte 3	User data 1							
Byte 2	User data 0							
Byte 1	Control Bit Vector							
Byte 0	Source Node Identifier							

Figure 7-1 Network Management PDU Format Example

[SWS_CanNm_00074] [The location of the source node identifier shall be configurable by means of `CanNmPduNidPosition` to Byte 0, Byte 1, or off (default: Byte 0).] (SRS_Nm_02505)

Note: Setting the `CanNmPduNidPosition` to off means that in the NM PDU no space is occupied by the source node identifier. Hence one more byte is available for user data.

[SWS_CanNm_00075] [The location of the Control Bit Vector shall be configurable by means of `CanNmPduCbvPosition` to Byte 0, Byte 1, or off (default: Byte 1).] ()

Note: Setting the `CanNmPduCbvPosition` to off means that in the NM PDU no space is occupied by the source node identifier. Hence one more byte is available for user data.

Note: The length of the Network Management PDU is defined by the `PduLength` parameter in the "global" ECUC module ([`EcuC003_Conf`], see Ecu Configuration specification). The difference between number of enabled system bytes and length is the amount of user data bytes.

The figure below describes the format of the Control Bit Vector:

	Bit 7	Bit 6	Bit 5	Bit 4	Bit 3	Bit 2	Bit 1	Bit 0
CBV	Reserved	Partial Network Information Bit	Reserved	Active Wakeup Bit	NM Coordinator Sleep Ready Bit	Reserved R3.2 NM Coordinator or ID (High Bit)	Reserved R3.2 NM Coordinator ID (Low Bit)	Repeat Message Request

Figure 7-2 Control Bit Vector

[SWS_CanNm_00045] [The Control Bit Vector shall consist of

Bit 0: Repeat Message Request

0: Repeat Message State not requested

1: Repeat Message State requested

Bit 3: NM Coordinator Sleep Bit

0: Start of synchronized shutdown is not requested by main coordinator

1: Start of synchronized shutdown is requested by main coordinator

Bit 4 Active Wakeup Bit

0: Node has not woken up the network (passive wakeup)

1: Node has woken up the network (active Wakeup)

Bit 6 Partial Network Information Bit (PNI)

0: NM PDU contains no Partial Network request information

1: NM PDU contains Partial Network request information

Bit 1, 2, 5, 7 are reserved for future extensions

0: Disabled / Reserved for future usage] ()

Note: The Control Bit Vector is initialized with `0x00` during initialization (also refer to [SWS_CanNm_00085](#)).

[SWS_CanNm_00013] [The `CanNm` module shall set the source node identifier with the configuration parameter `CanNmNodeId` unless `CanNmPduNidPosition` is set to off.] (`SRS_Nm_02503`)

[SWS_CanNm_00401] [If the CanNm performs a state change from Bus Sleep Mode or Prepare Bus Sleep Mode to Network Mode due to a call to `CanNm_NetworkRequest` (i.e. due to an active wakeup) and `CanNmActiveWakeupBitEnabled` is `TRUE`, the CanNm shall set the `ActiveWakeupBit` in the CBV.] ()

[SWS_CanNm_00402] [If the CanNm module leaves the Network Mode and `CanNmActiveWakeupBitEnabled` is `TRUE`, the CanNm module shall clear the `ActiveWakeupBit` in the CBV.] ()

7.7 Communication Scheduling

7.7.1 Transmission

Note: The transmission mechanisms described in this chapter are only relevant if the Network Management PDU transmission ability is enabled.

[SWS_CanNm_00072] [The Network Management PDUs transmission capability shall be configurable by means of `CanNmPassiveModeEnabled` (see chapter 10.2).] (SRS_Nm_02510)

Note: The transmission mechanisms described in this chapter are only relevant if `CanNmPassiveModeEnabled` is `FALSE`.

[SWS_CanNm_00237] [The CanNm module shall provide the periodic transmission mode. In this transmission mode the CanNm module shall send Network Management PDUs periodically.] ()

[SWS_CanNm_00238] [The CanNm module shall optionally provide the periodic transmission mode with bus load reduction. In this transmission mode the CanNm module shall transmit Network Management PDUs due to a specific algorithm.] ()

The periodic transmission mode is used in "Repeat Message State" and "Normal Operation State". Periodic transmission mode with bus load reduction is only available in "Normal Operation State"

Note: The periodic transmission mode is used in the "Repeat Message State" and "Normal Operation State" if the bus load reduction mechanism is disabled.

The periodic transmission mode with bus load reduction is only used, in the "Normal Operation State" if the bus load reduction mechanism is enabled.

[SWS_CanNm_00071] [The immediate transmission confirmation mechanism shall be configurable by means of the `CanNmImmediateTxConfEnabled` (see 10.2).] (SRS_Nm_02510)

Note: The immediate transmission confirmation mechanism is used for systems which don't want to use the actual confirmation from the CanIf.

Rationale: If the bus access is completely regulated through an offline system design tool, the actual transmit confirmation by CanIf can be regarded as redundant. Since the maximum arbitration time is assumed to be known it is acceptable to immediately raise the confirmation at the transmission request time.

[SWS_CanNm_00005] [If the Repeat Message State is not entered via `CanNm_NetworkRequest` OR `CanNmImmediateNmTransmissions` is zero the transmission of NM PDU shall be delayed by `CanNmMsgCycleOffset` after entering the repeat message state.] ()

[SWS_CanNm_00334] [When entering the Repeat Message State from Bus Sleep Mode or Prepare Bus Sleep Mode because of `CanNm_NetworkRequest()` (active wakeup) and if `CanNmImmediateNmTransmissions` is greater zero, the NM PDUs shall be transmitted using `CanNmImmediateNmCycleTime` as cycle time. The transmission of the first NM PDU shall be triggered as soon as possible. After the transmission the Message Cycle Timer shall be reloaded with `CanNmImmediateNmCycleTime`. The `CanNmMsgCycleOffset` shall not be applied in this case.] ()

[SWS_CanNm_00006] [If Normal Operation State is entered from Ready Sleep State the transmission of NM PDUs shall be started immediately.] ()

[SWS_CanNm_00454] [If `CanNmPnHandleMultipleNetworkRequests` is set to `TRUE` `CanNm_NetworkRequest` shall trigger a state transition from Network Mode to Repeat Message state. If PDU transmission ability is enabled the NM PDUs shall be transmitted using `CanNmImmediateNmCycleTime` as cycle time. The transmission of the first NM PDU shall be triggered as soon as possible. After the transmission the Message Cycle Timer shall be reloaded with `CanNmImmediateNmCycleTime`. The `CanNmMsgCycleOffset` shall not be applied in this case.] ()

Note: `CanNmImmediateNmTransmissions` has to be greater zero in this case due to ECUC_CanNm_00056.

[SWS_CanNm_00335] [If NM PDUs shall be transmitted with `CanNmImmediateNmCycleTime` (See **[SWS_CanNm_00334]** and **[SWS_CanNm_00454]**), `CanNm` shall ensure that `CanNmImmediateNmTransmissions` (including first immediate transmission) with this timing are requested successfully. If a transmission request to `CanIf` fails (`E_NOT_OK` is returned), `CanNm` shall retry the transmission request in the next main function.
Afterwards `CanNm` shall continue transmitting NM PDUs using the `CanNmMsgCycleTime`.] ()

Note: While transmitting NM PDUs using the `CanNmImmediateNmCycleTime` no other Nm PDUs shall be transmitted (i.e. the `CanNmMsgCycleTime` transmission cycle is stopped).

[SWS_CanNm_00032] [If transmission of Network Management PDUs has been started and the `CanNm` Message Cycle Timer expires the `CanNm` module shall

transmit a Network Management PDU by calling the CanIf function `CanIf_Transmit.`] ()

Note: If the function call of `CanIf_Transmit` fails the Transmission Error handling described in chapter 7.12 informs the CanNm module.

[SWS_CanNm_00040] [If the CanNm Message Cycle Timer expires the CanNm module shall restart with `CanNmMsgCycleTime.`] ()

[SWS_CanNm_00051] [If transmission of Network Management PDUs has been stopped the CanNm module shall cancel the Message Cycle Timer.] ()

7.7.2 Reception

If a NM PDU has been successfully received, the CanIf module will call the callback function `CanNm_RxIndication.`

[SWS_CanNm_00035] [On the call of the callback function `CanNm_RxIndication,` the CanNm module shall copy the data of the Network Management PDU referenced in the function parameter to an internal buffer.] ()

7.8 Bus Load Reduction Mechanism

The transmission period of Network Management PDUs is usually determined by the timing parameter `CanNmMsgCycleTime.` This parameter has to be equal for all NM nodes which belong to a network management cluster. Without any action this would lead to a bus load which depends on the amount of members of the network management cluster. Even if bursts are prevented through a node specific timing parameter called `CanNmMsgCycleOffset` a mechanism is necessary which reduces the bus load independently of the size of the network management cluster.

In order to achieve that the following two aspects have to be considered:

1. If a Network Management PDU is received the CanNm Message Cycle Timer is reloaded with the node specific timing parameter `CanNmMsgReducedTime.` The node specific time `CanNmMsgReducedTime` should be greater than $\frac{1}{2}$ `CanNmMsgCycleTime` and less than `CanNmMsgCycleTime.`
2. If a Network Management PDU is been transmitted the CanNm Message Cycle Timer is reloaded with the network management cluster specific timing parameter `CanNmMsgCycleTime.`

This leads to the following behavior:

Only the two nodes with the smallest `CanNmMsgReducedTime` time transmit alternating Network Management PDUs on the network. If one of the nodes stops transmission, the node with the next smallest `CanNmMsgReducedTime` time will start to transmit Network Management PDUs. If there is only one node on the network that requires bus communication, one Network Management PDU per `CanNmMsgCycleTime` is transmitted.

The algorithm ensures that the bus load is limited to a maximum two Network Management PDUs per `CanNmMsgCycleTime`.

An example can be found in chapter 11.

[SWS_CanNm_00052] [The bus load reduction mechanism shall be statically configurable by means of the `CanNmBusLoadReductionEnabled` parameter (see 10.2).] ()

[SWS_CanNm_00156] [When the Repeat Message State is entered from Bus-Sleep Mode, Prepare Bus-Sleep Mode, Normal Operation or Ready Sleep State the CanNm module shall deactivate the busload reduction.] ()

[SWS_CanNm_00157] [When the Normal Operation State is entered from Repeat Message State or Ready Sleep State and `CanNmBusLoadReductionEnabled` is `TRUE` the CanNm module shall activate the busload reduction.] ()

[SWS_CanNm_00069] [If the bus load reduction mechanism is globally enabled (`CanNmBusLoadReductionEnabled` is `TRUE`), for a particular network activated, PDU transmission ability is enabled and the function `CanNm_RxIndication` is called for this network, the CanNm module shall restart the CanNm Message Cycle Timer with the node specific time `CanNmMsgReducedTime`.] ()

7.9 Additional features

7.9.1 Detection of Remote Sleep Indication

The “Remote Sleep Indication” denotes a situation, where a node in Normal Operations States finds all other nodes in the cluster are ready to sleep (in Ready-Sleep State). The node in Normal Operation State will still keep the bus awake.

[SWS_CanNm_00149] [Detection of remote sleep indication shall be statically configurable with use of the `CanNmRemoteSleepIndEnabled` switch (configuration parameter).] ()

[SWS_CanNm_00150] [If the CanNm module receives no Network Management PDUs in the Normal Operation State for a configurable amount of time determined by `CanNmRemoteSleepIndTime` (configuration parameter), the CanNm module shall call the callback function `Nm_RemoteSleepIndication`.] (SRS_Nm_00052)

With a call of `Nm_RemoteSleepIndication` `CanNm` notifies the module `Nm` that all nodes in the cluster are ready to sleep (the so-called 'Remote Sleep Indication').

[SWS_CanNm_00151] [If Remote Sleep Indication has been previously detected and if a Network Management PDU is received in the Normal Operation State or Ready Sleep State again, the module `CanNm` shall call the callback function `Nm_RemoteSleepCancellation.`] (SRS_Nm_02509)

[SWS_CanNm_00152] [If Remote Sleep Indication has been previously detected and if Repeat Message State is entered from Normal Operation State or Ready Sleep State, the module `CanNm` shall call the callback function `Nm_RemoteSleepCancellation.`] (SRS_Nm_02509)

With a call of `Nm_RemoteSleepCancellation` `CanNm` notifies the module `Nm` that some nodes in the cluster are not ready to sleep anymore (the so-called 'Remote Sleep Cancellation').

[SWS_CanNm_00154] [When the service `CanNm_CheckRemoteSleepIndication` is called and the state is Bus-Sleep Mode, Prepare Bus-Sleep Mode or Repeat Message State the `CanNm` module shall not execute the service and shall return `E_NOT_OK.`] ()

7.9.2 User Data

[SWS_CanNm_00158] [Support of NM user data shall be statically configurable with use of the `CanNmUserDataEnabled` switch (configuration parameter).] ()

[SWS_CanNm_00159] [When `CanNm_SetUserData` is called the `CanNm` module shall set the Network Management user data for the Network Management PDUs transmitted next on the bus.] (SRS_Nm_02503)

[SWS_CanNm_00160] [When `CanNm_GetUserData` is called `CanNm` module shall return the Network Management user data of the most recently received Network Management PDU.] (SRS_Nm_02504)

Note: If user data is configured it will be sent for sure in Repeat Message State. In Normal Operation State it depends on the configuration of busload reduction whether user data is sent. In Ready Sleep State user data will not be sent.

7.9.2.1 COM User Data

Alternatively to the usage of the `CanNm` APIs to set and get user data, `CanNm` may use the COM to retrieve its user data.

[SWS_CanNm_00327] [If `CanNmComUserDataSupport` is enabled the API `CanNm_SetUserData` shall not be available.] ()

[SWS_CanNm_00328] [If `CanNmComUserDataSupport` is enabled and NM-PDU is not configured for triggered transmission in `CanIf` (`CanIfTxPduTriggerTransmit` set to `FALSE`) `CanNm` shall collect the NM User Data from the referenced NM I-PDU by calling `PduR_CanNmTriggerTransmit` and combine the user data with the further NM bytes each time before it requests the transmission of the corresponding NM PDU.] (SRS_Nm_02503)

Note: In case of triggered transmission no data is needed at the transmission request, just the length is needed. The data will be collected within `CanNm_TriggerTransmit` (see chapter 8.4.4 `CanNm_TriggerTransmit`).

[SWS_CanNm_00450] [If `CanNmComUserDataSupport` is enabled and `PduR_CanNmTriggerTransmit` returns `E_NOT_OK`, the NM shall use the last transmitted value for `NmUserData`.] ()

Note: The transmission of outdated NM data can be avoided by not stopping the IPdu in COM used for `NmUserData` transmission.

[SWS_CanNm_00329] [If `CanNmComUserDataSupport` is enabled and `CanNm_TxConfirmation` is called `CanNm` shall forward the transmission confirmation result to PduR by calling `PduR_CanNmTxConfirmation`.] ()

[SWS_CanNm_00332] [If `CanNmComUserDataSupport` is enabled and the number of available user data bytes does not match to the length of the referenced I-PDU an error shall be reported at generation time.] ()

7.9.3 Passive Mode

In the Passive Mode the node is only receiving Network Management PDUs but not transmitting any Network Management PDUs.

[SWS_CanNm_00161] [Passive Mode shall be statically configurable with use of the `CanNmPassiveModeEnabled` switch (configuration parameter).] (SRS_Nm_02511)

Note: Passive Mode has to be either enabled or disabled for all NM networks within one ECU.

7.9.4 Network Management PDU Rx Indication

[SWS_CanNm_00037] [On the call of the callback function `CanNm_RxIndication`, the `CanNm` module shall call the Nm callback function `Nm_PduRxIndication`, if and only if `CanNmPduRxIndicationEnabled` (configuration parameter) is set to `TRUE`.] ()

7.9.5 State change notification

[SWS_CanNm_00166] [All changes of the AUTOSAR CanNm states shall be notified to the upper layer by calling `Nm_StateChangeNotification` if the callback `Nm_StateChangeNotification` is enabled (configuration parameter `CanNmStateChangeIndEnabled` is `TRUE`).] (SRS_Nm_00051)

7.9.6 Communication Control

Note: Communication Control is statically configurable by the configuration parameter `CanNmComControlEnabled`.

[SWS_CanNm_00170] [If the service `CanNm_DisableCommunication` is called the CanNm module shall disable the Network Management PDU transmission ability.] (SRS_Nm_02512)

Note: This behavior shall also be applied in Repeat Message State. Communication Control feature does not influence the duration of the Repeat Message State.

[SWS_CanNm_00173] [When the Network Management PDU transmission ability is disabled, the CanNm module shall stop the CanNm Message Cycle Timer in order to stop the transmission of Network Management PDUs.] (SRS_Nm_02512)

[SWS_CanNm_00174] [When the Network Management PDU transmission ability is disabled, the CanNm module shall stop the NM-Timeout Timer.] ()

[SWS_CanNm_00175] [When the Network Management PDU transmission ability is disabled, the CanNm module shall stop the Remote Sleep Indication Detection.] ()

[SWS_CanNm_00178] [When the Network Management PDU transmission ability is enabled, the transmission of NM PDUs shall be started latest within the next NM main function.] (SRS_Nm_02512)

[SWS_CanNm_00179] [When the Network Management PDU transmission ability is enabled, the CanNm module shall restart the NM-Timeout Timer.] ()

[SWS_CanNm_00180] [If `CanNmRemoteSleepIndEnabled` is `TRUE` and the Network Management PDU transmission ability is enabled, the CanNm module shall re-start the Remote Sleep Indication Detection.] ()

[SWS_CanNm_00181] [The service `CanNm_RequestBusSynchronization` shall return `E_NOT_OK` if the Network Management PDU transmission ability is disabled.] ()

7.9.7 Coordinator Synchronization Support

When having more than one coordinator connected to the same bus a special bit in the CBV, the `NmCoordinatorSleepReady` bit is used to indicate that the main coordinator requests to start shutdown sequence. The main functionality of the algorithm is described in the Nm module.

[SWS_CanNm_00341] [If `CanNmCoordinatorSyncSupport` is set to `TRUE` and `CanNm` has entered Network Mode or called `Nm_CoordReadyToSleepCancellation` before it shall notify the Nm by calling `Nm_CoordReadyToSleepIndication` on the first reception of a NM PDU with the *NmCoordinatorSleepReady* bit (see CBV) set to 1.] ()

[SWS_CanNm_00348] [If `CanNmCoordinatorSyncSupport` is set to `TRUE` and `CanNm` called `Nm_CoordReadyToSleepIndication` and is still in Network Mode it shall notify the Nm by calling `Nm_CoordReadyToSleepCancellation` on the first reception of a NM PDU with the *NmCoordinatorSleepReady* bit (see CBV) set to 0.] ()

[SWS_CanNm_00342] [If `CanNmCoordinatorSyncSupport` is set to `TRUE` and the API `CanNm_SetSleepReadyBit` is called `CanNm` shall set the “NM Coordinator Sleep ready Bit” to the passed value and trigger a single Network Management PDU.] ()

7.10 Car Wakeup

[SWS_CanNm_00405] [The position of the Car Wakeup bit in the NM-PDU is defined by the configuration parameters `CanNmCarWakeUpBytePosition` and `CanNmCarWakeUpBitPosition`.] ()

7.10.1 Rx Path

[SWS_CanNm_00406] [If the Car Wakeup bit within any received NM-PDU is 1, `CanNmCarWakeUpRxEnabled` is `TRUE`, and `CanNmCarWakeUpFilterEnabled` is `FALSE` `CanNm` shall call `Nm_CarWakeUpIndication` and perform the standard Rx indication handling.] ()

[SWS_CanNm_00407] [If `CanNm_GetPduData` is called in the context of `Nm_CarWakeUpIndication` and if `CanNmNodeDetectionEnabled` or `CanNmUserDataEnabled` or `CanNmNodeIdEnabled` is set to `TRUE` `CanNm` shall return the PDU data of the PDU that causes the call of `Nm_CarWakeUpIndication`.] ()

Note: This is required to enable the ECU to identify detail about the sender of the Car Wakeup request.

[SWS_CanNm_00408] [If `CanNmCarWakeUpFilterEnabled` is `TRUE`, the Car Wakeup bit within any received NM-PDU is 1, `CanNmCarWakeUpRxEnabled` is `TRUE` and the Node ID in the received NM-PDU is equal to `CanNmCarWakeUpFilterNodeId` the `CanNm` module shall call `Nm_CarWakeUpIndication` and perform the standard Rx Indication handling.] ()

Note: The Car Wakeup filter is necessary to realize sub gateways that only consider the Car Wakeup of the central Gateway to avoid wrong wakeups.

7.10.2 Tx Path

The transmission of the Car Wakeup bit shall be handled by the application using the NM user data mechanism provided by the CanNm module.

7.11 Partial Networking

7.11.1 Rx Handling of NM PDUs

[SWS_CanNm_00409] [If the `CanNmPnEnabled` is `FALSE`, the CanNm shall not drop NM PDUs from further Rx Indication handling and the partial networking extensions shall be disabled.] (SRS_Nm_02517)

[SWS_CanNm_00410] [If `CanNmPnEnabled` is `TRUE`, the PNI bit in the received NM-PDU is 0 and `CanNmAllNmMessagesKeepAwake` is `TRUE`, the CanNm module shall not drop NM PDUs from further Rx Indication handling omitting the extensions for partial networking.] (SRS_Nm_02517, SRS_Nm_02520)

Note: This is required to enable the Gateway to stay awake on any kind of NM-PDU.

[SWS_CanNm_00411] [If `CanNmPnEnabled` is `TRUE`, the PNI bit in the received NM-PDU is 0 and `CanNmAllNmMessagesKeepAwake` is `FALSE`, the CanNm module shall ignore the received NM-PDU.] (SRS_Nm_02517, SRS_Nm_02518, SRS_Nm_02520)

[SWS_CanNm_00412] [If `CanNmPnEnabled` is `TRUE` and the PNI bit in the received NM-PDU is 1, CanNm module shall process the Partial Networking Information of the NM-PDU as described in chapter 7.11.3 NM PDU Filter Algorithm.] (SRS_Nm_02517, SRS_Nm_02518, SRS_Nm_02520)

7.11.2 Tx Handling of NM PDUs

[SWS_CanNm_00413] [If `CanNmPnEnabled` is `TRUE` the CanNm module shall set the value of the transmitted PNI bit to 1.] (SRS_Nm_02517, SRS_Nm_02518, SRS_Nm_02521)

Note: The usage of the CBV is mandatory in case Partial Networking is used.

[SWS_CanNm_00414] [If `CanNmPnEnabled` is `FALSE` the CanNm module shall set the value of the transmitted PNI bit always to 0.] (SRS_Nm_02517, SRS_Nm_02518)

7.11.3 NM PDU Filter Algorithm

The intention of the NM-PDU filter algorithm is to drop all received NM-PDUs that are not relevant for the ECU. If there is no NM-PDU on the network, that is relevant for

the receiving ECU, the NM Timeout Timer is no longer restarted and the CanNm module changes to Prepare Bus Sleep Mode during active bus communication.

In order to distinguish between NM-PDUs that are relevant for the ECU and PDUs that are not relevant, the CanNm evaluates the NM User Data that contains the PN requests provided by requesting ECU. Every bit of the PN request information represents one PN.

It is statically configured if the ECU (CanNm) is part of one specific partial network or not. The NM-PDUs are ignored if the ECU is not part of the requested partial networks.

[SWS_CanNm_00403] [During initialization CanNm shall disable the NM-PDU filter algorithm on all networks where `CanNmPnEnabled` is `TRUE`.] (SRS_Nm_02517, SRS_Nm_02527)

[SWS_CanNm_00404] [If the CanSm calls `CanNm_ConfirmPnAvailability` the NM-PDU filter algorithm shall be enabled on the indicated channel.] (SRS_Nm_02517, SRS_Nm_02527)

Rationale: This is required to allow a malfunctioning PN transceiver to shut down synchronously with the remaining network.

Note: If the NM-PDU filter algorithm is not enabled (e.g. due to malfunctioning PN transceiver) the CanNm restarts the NM-Timeout Timer when receiving a NM-PDU. Therefore normal shutdown behavior is performed.

[SWS_CanNm_00415] [The NM-PDU filter algorithm shall evaluate the bytes of the received NM-PDU defined by `CanNmPnInfoOffset` (in bytes) starting from byte 0 and `CanNmPnInfoLength` (in bytes). This range is called PN Info Range.] (SRS_Nm_02517, SRS_Nm_02527)

[SWS_CanNm_00416] [Every bit of the PN Info Range represents one Partial Network. If the bit is set to 1 the Partial Network is requested. If the bit is set to 0 there is no request for this PN.] (SRS_Nm_02517)

[SWS_CanNm_00417] [The filter algorithm shall compare (bitwise AND) the received PN information with the PN filter mask to detect if a relevant PN is requested or not. Each bit of the PN filter mask shall have the following meaning:

- 0 The PN request is irrelevant for the ECU. The communication stack of the ECU is not kept awake if this bit is set in a received NM-PDU.
- 1 The PN request is relevant for the ECU. The communication stack of the ECU is kept awake if this bit is set in a received NM-PDU.] (SRS_Nm_02517, SRS_Nm_02527)

[SWS_CanNm_00419] [If at least one relevant PN is requested in the received NM-PDU the PDU shall not be dropped from further Rx Indication handling.] (SRS_Nm_02517, SRS_Nm_02527)

[SWS_CanNm_00420] [If no relevant PN is requested in the received NM-PDU and `CanNmAllNmMessagesKeepAwake` is `FALSE` the PDU shall be dropped from further processing.] (SRS_Nm_02517, SRS_Nm_02527)

[SWS_CanNm_00421] [If no relevant PN is requested in the received NM-PDU and `CanNmAllNmMessagesKeepAwake` is `TRUE` the PDU shall not be dropped from further Rx Indication handling.] (SRS_Nm_02517, SRS_Nm_02527)

Note: This is required to enable the Gateway to stay awake on any kind of NM-PDU.

Example:

- `CanNmPnInfoOffset` = 4
- `CanNmPnInfoLength` = 2

Only Byte 4 and Byte 5 of the NM PDU contain PN information:

Byte 0	Byte 1	Byte 2	Byte 3	Byte 4	Byte 5	Byte 6	Byte 7
CBV	NID	User Data		PN Info		User Data	
0x40	0x00	0xFF	0xFF	0x12	0x8E	0xFF	0xFF

Figure 7-3 Example NM PDU containing PN information

For this example two `CanNmPnFilterMaskBytes` would be defined, e.g

- `CanNmPnFilterMaskByteIndex` = 0 with `CanNmPnFilterMaskByteValue` = 0x01
- `CanNmPnFilterMaskByteIndex` = 1 with `CanNmPnFilterMaskByteValue` = 0x97

The filter algorithm actions and result would then be:

Filter Mask Value (Byte)	Compared to received PN info	Resulting in
0x01 (Byte 0)	0x12 (NM PDU Byte 4)	0x00 (no relevant PN information)
0x97 (Byte 1)	0x8E (NM PDU Byte 5)	0x86 (relevant PN information)

Figure 7-4 Example PN Filter Algorithm

As one byte contains relevant information this NM PDU would not be dropped from further Rx Indication handling.

7.11.4 Aggregation of Internal and External Requested Partial Networks

Note: This feature is used by every ECU that has to switch I-PDU-Groups because of the activity of partial networks. (e.g. to prevent false timeouts) I-PDU-Groups shall be switched on if the corresponding PN is requested internally or externally. I-PDU-Groups shall be switched off not until all internal and external requests for the corresponding PN are released.

The logic for switching the IPDU-Groups is implemented by ComM. The CanNm only provides the information if a PN is requested or not. The COM module is used to transfer the data to the upper layers.

To switch the I-PDU-Groups synchronously on all direct connected ECUs, CanNm shall provide the information of a request change to the upper layer at (almost) the same time on every ECU. This is why the reset timer is restarted on every received and every sent NM PDU (see below).

The aggregated state of the internal/external requested PNs is called External Internal Request Array (EIRA).

[SWS_CanNm_00424] [If `CanNmPnEiraCalcEnabled` is TRUE CanNm shall provide the possibility to store external and internal requested PNs combined over all relevant channels (all CanNm channels where `CanNmPnEnabled` is TRUE). At initialization the values of all PNs shall be set to 0 (not requested).] (SRS_Nm_02517, SRS_Nm_02522)

[SWS_CanNm_00426] [If

- `CanNmPnEiraCalcEnabled` is TRUE
- and a NM-PDU is received
- and PNs are requested within this message (bits set to 1)
- and the requested PNs are set to 1 within the configured PN filter mask

then CanNm shall store the request information (value 1) for these PNs.] (SRS_Nm_02517, SRS_Nm_02522)

[SWS_CanNm_00427] [If

- `CanNmPnEiraCalcEnabled` is TRUE
- and NM-PDU is being requested to send by CanNm
- and PNs are requested within this message (bits set to 1)
- and the requested PNs are set to 1 within the configured PN filter mask

then CanNm shall store the request information (value 1) for these PNs.] (SRS_Nm_02517, SRS_Nm_02522)

[SWS_CanNm_00428] [If `CanNmPnEiraCalcEnabled` is TRUE CanNm shall provide a possibility to monitor for each PN if this PN is still externally or internally requested on at least one of the relevant channels.] (SRS_Nm_02517, SRS_Nm_02522)

Note: This means, only one timer is required to handle one PN on multiple connected physical channels. For example: only 8 EIRA reset timers are required to handle the requests of a Gateway with 6 physical channels and 8 partial networks. This is possible because the switch of PN PDU-Groups is done global for the ECU and not dependent of the physical channel.

[SWS_CanNm_00429] [If `CanNmPnEiraCalcEnabled` is TRUE and a PN is requested by message reception or sending (see SWS_CanNm_00426 and SWS_CanNm_00427) the monitoring for this PN shall be restarted with respect to the `CanNmPnResetTime`.] (SRS_Nm_02517, SRS_Nm_02522)

Note: `CanNmPnResetTime` has to be configured to a value greater than `CanNmMsgCycleTime`. If `CanNmPnResetTime` is configured to a value smaller than `CanNmMsgCycleTime` and only one ECU requests the PN, the request state toggles in the EIRA because request state is reset before the requesting ECU is able to send the next NM PDU.

Note: `CanNmPnResetTime` has to be configured to a value smaller than `CanNmTimeoutTime` to avoid that the timer could elapse after NM already changed to Prepare Bus Sleep.

[SWS_CanNm_00431] [If `CanNmPnEiraCalcEnabled` is TRUE and a PN is not requested again within `CanNmPnResetTime` the corresponding stored value for this PN shall be set to not requested (value 0).] (SRS_Nm_02517, SRS_Nm_02522)

[SWS_CanNm_00432] [If `CanNmPnEiraCalcEnabled` is TRUE and the stored value for a PN is set to requested or back to not requested (see SWS_CanNm_00426, SWS_CanNm_00427 and SWS_CanNm_00429) `CanNm` shall inform the upper layers by calling `PduR_CanNmRxIndication()` for the configured EIRA PDU (i.e. changed EIRA information shall be passed to COM).] (SRS_Nm_02517, SRS_Nm_02524)

7.11.5 Aggregation of External Requested Partial Networks

Note: This feature is used by the Gateways to collect only the external PN requests. The external PN requests are mirrored back to the requesting bus and provided to other (required) physical channels of a central gateway. In case of a sub gateway the requests bit must not be mirrored back to the requesting physical channel in order to avoid static waking between central- and sub gateways. This logic shall be implemented by the ComM. The `CanNm` module provides the information if the PN is externally requested or not. The COM module is used for data transmission to the upper layer.

The aggregated state of the external requested PNs is called “External Request Array” (ERA).

[SWS_CanNm_00435] [If `CanNmPnEraCalcEnabled` is TRUE `CanNm` shall provide the possibility to store external requested PNs on each relevant channel. At initialization the values of all PNs shall be set to 0 (not requested).] (SRS_Nm_02517, SRS_Nm_02523)

[SWS_CanNm_00437] [If

- `CanNmPnEraCalcEnabled` is TRUE
- and a NM-PDU is received
- and PNs are requested within this message (bits set to 1)
- and the requested PNs are set to 1 within the configured PN filter mask

then `CanNm` shall store the request information (value 1) for these PNs.] (SRS_Nm_02517, SRS_Nm_02523)

[SWS_CanNm_00438] [If `CanNmPnEraCalcEnabled` is TRUE `CanNm` shall provide a possibility to monitor on each relevant channel and for each PN if this PN is still externally requested.] (SRS_Nm_02517, SRS_Nm_02523)

Note: This means, a separate timer is required to handle one PN on multiple physical channels.

For example: 48 ERA reset timers are required to handle the requests of a gateway with 6 physical channels and 8 partial networks. It is not possible to combine the reset timer like EIRA timers, because the external request mustn't be mirrored back to the requesting bus by a sub gateway. Thus it is required to detect the physical channel that is the source of the request bit.

[SWS_CanNm_00439] [If `CanNmPnEraCalcEnabled` is TRUE and a PN is requested by message reception (see SWS_CanNm_00437) the monitoring for this PN shall be restarted with respect to the `CanNmPnResetTime`.] (SRS_Nm_02517, SRS_Nm_02523)

Note: `CanNmPnResetTime` has to be configured to a value greater than `CanNmMsgCycleTime`. If `CanNmPnResetTime` is configured to a value smaller than `CanNmMsgCycleTime` and only one ECU requests the PN, the request state toggles in the ERA because request state is rested before the requesting ECU is able to send the next NM-PDU.

Note: `CanNmPnResetTime` has to be configured to a value smaller than `CanNmTimeoutTime` to avoid that the timer could elapse after NM already changed to Prepare Bus Sleep.

[SWS_CanNm_00442] [If `CanNmPnEraCalcEnabled` is TRUE and a PN is not requested again within `CanNmPnResetTime` the corresponding stored value for this PN shall be set to not requested (value 0).] (SRS_Nm_02517, SRS_Nm_02523)

[SWS_CanNm_00443] [If `CanNmPnEraCalcEnabled` is TRUE and the stored value for a PN changes to requested or back to not requested (see SWS_CanNm_00437 and SWS_CanNm_00442) `CanNm` shall inform the upper layers by calling `PduR_CanNmRxIndication()` for the configured ERA PDU (i.e. changed ERA information shall be passed to COM).] (SRS_Nm_02517, SRS_Nm_02524)

[SWS_CanNm_00445] [If `CanNmPnEraCalcEnabled` is TRUE and `CanNmPnEraCalcEnabled` is TRUE , the PN status information has to be stored separately for both, the EIRA and ERA information (compare SWS_CanNm_00435 and SWS_CanNm_00424).] (SRS_Nm_02517)

7.11.6 Spontaneous Transmission of NM PDUs via `CanNm_NetworkRequest`

[SWS_CanNm_00444] [If `CanNm_NetworkRequest` is called, `CanNmPnHandleMultipleNetworkRequests` is TRUE and `CanNm` is in Ready Sleep State, Normal Operation State or Repeat Message State, `CanNm` shall change to or restart the Repeat Message State.] (SRS_Nm_02517, SRS_Nm_02528)

Note: If `CanNmPnHandleMultipleNetworkRequests` is set to TRUE the `CanNm` feature 'Immediate Transmission' is mandatory.

Note: The PN Control Module (e.G. ComM) is responsible to call `CanNm_NetworkRequest` if the PN request bits changes.

7.12 Transmission Error Handling

Depending on configuration the CanNm will evaluate the confirmation function that a Network Management PDU has been successfully transmitted or not. CanNm will monitor these confirmations and alarm the upper layers if a transmission confirmation is received with result `E_NOT_OK` or not received within a specific amount of time. Timeout Monitoring is required for Partial Networking to ensure that the first message gets acknowledged when all ECUs on the network use Partial Network transceivers. Otherwise CanSM is informed and will restart CAN Driver (see also SWS CanSM).

[SWS_CanNm_00073] [If `CanNmPassiveModeEnabled` is set to `TRUE` (see [SWS_CanNm_00072](#)) or `CanNmImmediateTxConfEnabled` is set to `TRUE` CanNm shall not perform transmission error handling and omit the requirements [SWS_CanNm_00061](#), [SWS_CanNm_00064](#), [SWS_CanNm_00065](#), [SWS_CanNm_00066](#) and [SWS_CanNm_00446](#).] ()

Rationale: Transmission error handling makes only sense if a node is allowed to transmit Network Management PDUs and the real confirmation from the CanIf is evaluated.

[SWS_CanNm_00064] [If `CanNmGlobalPnSupport` is set to `TRUE` and `CanNmMsgTimeoutTime` is defined and CanNm requests the transmission of a NM PDU (call of `CanIf_Transmit`) then CanNm shall start the NM Message Tx Timeout Timer with `CanNmMsgTimeoutTime`.] (SRS_Nm_00137)

[SWS_CanNm_00065] [If `CanNmGlobalPnSupport` is set to `TRUE` and `CanNmMsgTimeoutTime` is defined and `CanNm_TxConfirmation` is called then CanNm shall stop the NM Message Tx Timeout Timer.] (SRS_Nm_00137)

[SWS_CanNm_00066] [If `CanNm_TxConfirmation` is called with result `E_NOT_OK` or if `CanNmGlobalPnSupport` is set to `TRUE` and NM Message Tx Timeout Timer has expired then CanNm shall call the function `Nm_TxTimeoutException`.] (SRS_Nm_00137)

[SWS_CanNm_00446] [If `CanNmGlobalPnSupport` is set to `TRUE` and NM Message Tx Timeout Timer has expired then CanNm shall call the function `CanSM_TxTimeoutException`.] (SRS_Nm_00137, SRS_Nm_02529)

7.13 Functional requirements on CanNm API

[SWS_CanNm_00014] [If `CanNmNodeDetectionEnabled` and `CanNmRepeatMsgIndEnabled` are set to `TRUE` and the Repeat Message Request bit is received CanNm module shall call the callback function `Nm_RepeatMessageIndication`.] (SRS_Nm_00153)

[SWS_CanNm_00086] [If `CanNmUserDataEnabled` is enabled but no user data bytes are available, the CanNm module shall raise an error during configuration or compilation time.] ()

7.14 Error classification

7.14.1 Development Errors

The following development errors shall be detectable by the CanNm.

[SWS_CanNm_00316] Development Error Types

Type or error	Related error code	Error Value
API service used without module initialization	CANNM_E_UNINIT	0x01
API service called with wrong channel handle	CANNM_E_INVALID_CHANNEL	0x02
API service called with wrong PDU-ID	CANNM_E_INVALID_PDUID	0x03
CanNm initialization has failed, e.g. selected configuration set doesn't exist.	CANNM_E_INIT_FAILED	0x05
Null pointer has been passed as an argument	CANNM_E_PARAM_POINTER	0x12
Delnit API service called when not all CAN networks are in Bus Sleep mode	CANNM_E_NOT_IN_BUS_SLEEP	0x13

] ()

7.14.2 Runtime Errors

[SWS_CanNm_00317] Runtime Error Types

Type or error	Related error code	Error Value
Reception of NM PDUs in Bus-Sleep Mode.	CANNM_E_NET_START_IND	0x04
NM-Timeout Timer has abnormally expired outside of the Ready Sleep State; it may happen: (1) because of Bus-Off state, (2) if some ECU requests bus communication or node detection shortly before the NM-Timeout Timer expires so that a Network Management PDU can not be transmitted in time; this race condition applies to event-triggered systems	CANNM_E_NETWORK_TIMEOUT	0x11

] ()

7.14.3 Transient Faults

Currently CanNm does not report any transient faults.

7.14.4 Production Errors

Currently CanNm does not report any production errors.

7.14.5 Extended Production Errors

Currently CanNm does not report any extended production errors.

7.15 Error detection

For details refer to the chapter 7.3 "Error Detection" in *SWS_BSWGeneral* [9].

7.16 Error notification

[SWS_CanNm_00189] [The CanNm module shall not return development errors by API functions; in case of a development error, the execution of the respective API function shall be aborted and `E_NOT_OK` shall be returned, if applicable.] ()

[SWS_CanNm_00190] [The CanNm module shall not return production errors by API functions; in case of a production error, the execution of the respective API function shall be aborted and `E_NOT_OK` shall be returned, if applicable.] ()

Note: Currently no production errors are specified for the CAN NM.

[SWS_CanNm_00192] [When a CanNm service with an invalid network handle is called, the called function shall not be executed and it shall return `E_NOT_OK` to the calling function if applicable. If development error detection is enabled (`CanNmDevErrorDetect` is set to `TRUE`) the corresponding error `CANNM_E_INVALID_CHANNEL` shall be reported to DET.] ()

Note: The network handle is invalid if it is different from allowed configured values.

Note: NULL Pointer checking is specified within BSW General [9].

[SWS_CanNm_00193] [When the NM-Timeout Timer expires in the Repeat Message State the CanNm module shall report `CANNM_E_NETWORK_TIMEOUT` to the DET.] (SRS_Nm_00137)

[SWS_CanNm_00194] [When the NM-Timeout Timer expires in the Normal Operation State the CanNm module shall report `CANNM_E_NETWORK_TIMEOUT` to the DET.] (SRS_Nm_00137)

[SWS_CanNm_00195] [When a CanNm service with an invalid PDU ID is called, the called function shall not be executed and it shall return `E_NOT_OK` to the calling function if applicable. If development error detection is enabled (`CanNmDevErrorDetect` is set to `TRUE`) the corresponding error `CANNM_E_INVALID_PDUID` shall be reported to DET.] ()

7.17 Scheduling of the main function

For details refer to the chapter 8.5 “Scheduled functions” in *SWS_BSWGeneral* [9].

7.18 Application notes

7.18.1 Wakeup notification

Wakeup notification is defined in detail in the ECU State Manager specification.

7.18.2 Coordination of coupled networks

[SWS_CanNm_00185] [Support of bus synchronization on demand shall be statically configurable with use of the `CanNmBusSynchronizationEnabled` switch (configuration parameter).] ()

Note: Since the shutdown of CanNm can be done at any time, the call of the API `Nm_SynchronizationPoint` is not supported.

7.19 Summary of CanNm Timing Requirements

This section gives a summary of the CanNm timing requirements. Please note that this chapter is a summary only and does not replace or act as requirement. Moreover this section does not require any specific way of implementation

Type of timing	Requirements
Nm timeout related	SWS_CanNm_00061 SWS_CanNm_00096 SWS_CanNm_00098 SWS_CanNm_00099 SWS_CanNm_00101 SWS_CanNm_00109 SWS_CanNm_00117 SWS_CanNm_00174 SWS_CanNm_00179 SWS_CanNm_00193 SWS_CanNm_00194 SWS_CanNm_00206
Tx confirmation timeout related	SWS_CanNm_00064 SWS_CanNm_00065 SWS_CanNm_00066
NmPdu transmission related	SWS_CanNm_00005 SWS_CanNm_00032 SWS_CanNm_00040 SWS_CanNm_00051 SWS_CanNm_00061 SWS_CanNm_00069 SWS_CanNm_00173 SWS_CanNm_00178
Remote sleep indication related	SWS_CanNm_00175 SWS_CanNm_00180

7.20 UML State chart diagram

The following figure shows an UML state diagram with respect to the API specification. Mode change related transitions are denoted in green, error handling related transitions in red and optional node detection related transitions in blue. Additionally it is assumed that busload reduction functionality is enabled.

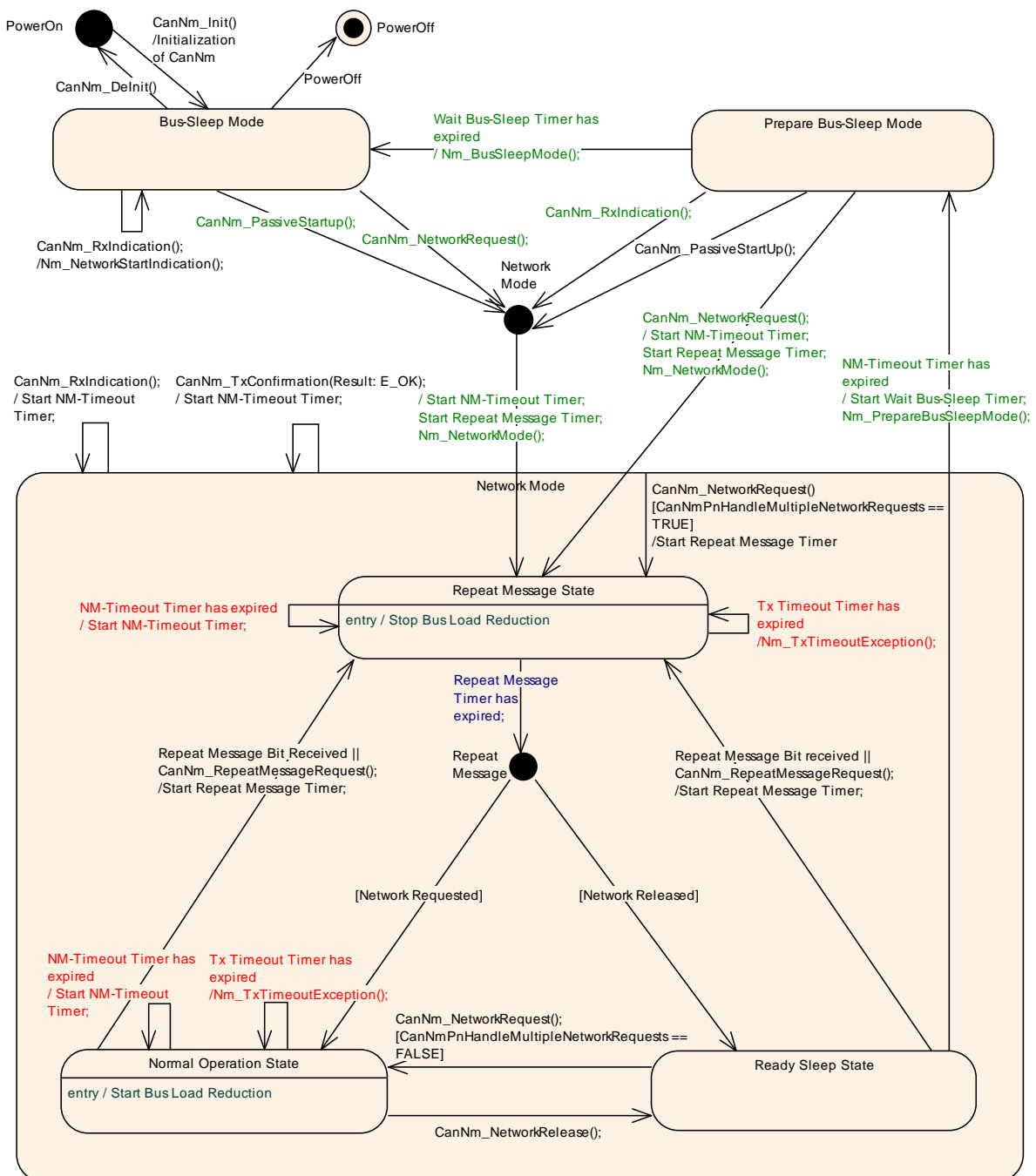


Figure 7-5 CanNm Algorithm

8 API specification

[SWS_CanNm_00244] [The CanNm module shall reject the execution of a service called with an invalid parameter and shall inform the DET.] (SRS_BSW_00323)

AUTOSAR CanNm API consists of services, which are CAN specific and can be called whenever they are required; each service apart from `CanNm_Init` refers to one NM channel only.

8.1 Imported Types

In this chapter all types included from the following modules are listed:

[SWS_CanNm_00245]

<i>Module</i>	<i>Header File</i>	<i>Imported Type</i>
ComStack_Types	ComStack_Types.h	NetworkHandleType
	ComStack_Types.h	PduIdType
	ComStack_Types.h	PduInfoType
	ComStack_Types.h	PduLengthType
Nm	NmStack_types.h	Nm_ModeType
	NmStack_types.h	Nm_StateType
Std	Std_Types.h	Std_ReturnType
	Std_Types.h	Std_VersionInfoType

J()

For further details of these types refer to the according specifications [4], [6] and [8].

8.2 Type Definitions

8.2.1 CanNm_ConfigType

[SWS_CanNm_00447]

Name	CanNm_ConfigType	
Kind	Structure	
Elements	implementation specific	
	Type	--
	Comment	--
Description	This type shall contain at least all parameters that are post-build able according to chapter 10.	

Available via	CanNm.h
--------------------------	---------

|()

8.3 Function Definitions

8.3.1 CanNm_Init

[SWS_CanNm_00208]

Service Name	CanNm_Init	
Syntax	<pre>void CanNm_Init (const CanNm_ConfigType* cannmConfigPtr)</pre>	
Service ID [hex]	0x00	
Sync/Async	Synchronous	
Reentrancy	Non Reentrant	
Parameters (in)	cannmConfigPtr	Pointer to a selected configuration structure
Parameters (inout)	None	
Parameters (out)	None	
Return value	None	
Description	Initialize the CanNm module.	
Available via	CanNm.h	

]()

[SWS_CanNm_00253] [Caveats of CanNm_Init: The function CanNm_Init has to be called after initialization of the CanIf.] ()

8.3.2 CanNm_DeInit

[SWS_CanNm_91002]

Service Name	CanNm_DeInit	
Syntax	<pre>void CanNm_DeInit (void)</pre>	
Service ID [hex]	0x10	
Sync/Async	Synchronous	
Reentrancy	Non Reentrant	
Parameters (in)	None	
Parameters (inout)	None	
Parameters (out)	None	
Return value	None	

Description	De-initializes the CanNm module.
Available via	CanNm.h

](SRS_BSW_00336)

Note: General behavior and constraints on de-initialization functions are specified by [SWS_BSW_00152], [SWS_BSW_00072], [SWS_BSW_00232], [SWS_BSW_00233].

Caveat: Caller of the `CanNm_DeInit` function has to ensure all CAN networks are in the Bus Sleep mode.

[SWS_CanNm_00352] [If development error detection for the CanNm module is enabled: The function `CanNm_DeInit` shall raise the error `CANNM_E_NOT_IN_BUS_SLEEP` if not all CAN networks are in Bus Sleep mode.] (SRS_BSW_00369)

8.3.3 CanNm_PassiveStartUp

[SWS_CanNm_00211]

Service Name	CanNm_PassiveStartUp	
Syntax	<pre>Std_ReturnType CanNm_PassiveStartUp (NetworkHandleType nmChannelHandle)</pre>	
Service ID [hex]	0x01	
Sync/Async	Asynchronous	
Reentrancy	Reentrant (but not for the same NM-Channel)	
Parameters (in)	nmChannelHandle	Identification of the NM-channel
Parameters (inout)	None	
Parameters (out)	None	
Return value	Std_ReturnType	E_OK: No error E_NOT_OK: Passive startup of network management has failed
Description	Passive startup of the AUTOSAR CAN NM. It triggers the transition from Bus-Sleep Mode or Prepare Bus Sleep Mode to the Network Mode in Repeat Message State. Caveats: CanNm is initialized correctly.	
Available via	CanNm.h	

l()

[SWS_CanNm_00254] [Caveats of `CanNm_PassiveStartUp`: The `CanNm` module is initialized correctly.] ()

8.3.4 `CanNm_NetworkRequest`

[SWS_CanNm_00213]

Service Name	CanNm_NetworkRequest	
Syntax	Std_ReturnType CanNm_NetworkRequest (NetworkHandleType nmChannelHandle)	
Service ID [hex]	0x02	
Sync/Async	Asynchronous	
Reentrancy	Reentrant (but not for the same NM-channel)	
Parameters (in)	nmChannelHandle	Identification of the NM-channel
Parameters (inout)	None	
Parameters (out)	None	
Return value	Std_ReturnType	E_OK: No error E_NOT_OK: Requesting of network has failed
Description	Request the network, since ECU needs to communicate on the bus.	
Available via	CanNm.h	

]() ()

[SWS_CanNm_00255] [The function `CanNm_NetworkRequest` shall change the Network state to 'requested'.] ()

[SWS_CanNm_00256] [Caveats of `CanNm_NetworkRequest`: The `CanNm` module is initialized correctly.] ()

[SWS_CanNm_00257] [Configuration of `CanNm_NetworkRequest`: Optional (Only available if `CanNmPassiveModeEnabled` is not defined).] ()

8.3.5 `CanNm_NetworkRelease`

[SWS_CanNm_00214]

Service Name	CanNm_NetworkRelease	
Syntax	Std_ReturnType CanNm_NetworkRelease (NetworkHandleType nmChannelHandle)	
Service ID [hex]	0x03	
Sync/Async	Asynchronous	

Reentrancy	Reentrant (but not for the same NM-Channel)	
Parameters (in)	nmChannelHandle	Identification of the NM-channel
Parameters (inout)	None	
Parameters (out)	None	
Return value	Std_ReturnType	E_OK: No error E_NOT_OK: Releasing of network has failed
Description	Release the network, since ECU doesn't have to communicate on the bus.	
Available via	CanNm.h	

]()

[SWS_CanNm_00259] [Caveats of `CanNm_NetworkRelease`: The `CanNm` module is initialized correctly.] ()

[SWS_CanNm_00260] [Configuration of `CanNm_NetworkRelease`: Optional (Only available if `CanNmPassiveModeEnabled` is not defined)] ()

8.3.6 CanNm_DisableCommunication

[SWS_CanNm_00215]

Service Name	CanNm_DisableCommunication	
Syntax	Std_ReturnType CanNm_DisableCommunication (NetworkHandleType nmChannelHandle)	
Service ID [hex]	0x0c	
Sync/Async	Asynchronous	
Reentrancy	Reentrant (but not for the same NM-channel)	
Parameters (in)	nmChannelHandle	Identification of the NM-channel
Parameters (inout)	None	
Parameters (out)	None	
Return value	Std_ReturnType	E_OK: No error E_NOT_OK: Disabling of NM PDU transmission ability has failed
Description	Disable the NM PDU transmission ability due to a ISO14229 Communication Control (28hex) service	
Available via	CanNm.h	

]()

[SWS_CanNm_00261] [Caveats of CanNm_DisableCommunication: The CanNm module is initialized correctly.] ()

[SWS_CanNm_00262] [Configuration of CanNm_DisableCommunication: Optional (Only available if CanNmComControlEnabled is set to TRUE)] ()

[SWS_CanNm_00172] [The service CanNm_DisableCommunication shall return E_NOT_OK, if the current mode is not Network Mode.] ()

8.3.7 CanNm_EnableCommunication

[SWS_CanNm_00216]

Service Name	CanNm_EnableCommunication	
Syntax	Std_ReturnType CanNm_EnableCommunication (NetworkHandleType nmChannelHandle)	
Service ID [hex]	0x0d	
Sync/Async	Asynchronous	
Reentrancy	Reentrant (but not for the same NM-channel)	
Parameters (in)	nmChannelHandle	Identification of the NM-channel
Parameters (inout)	None	
Parameters (out)	None	
Return value	Std_ReturnType	E_OK: No error E_NOT_OK: Enabling of NM PDU transmission ability has failed
Description	Enable the NM PDU transmission ability due to a ISO14229 Communication Control (28hex) service	
Available via	CanNm.h	

]()

[SWS_CanNm_00176] [The service CanNm_EnableCommunication shall enable the Network Management PDU transmission ability if the Network Management PDU transmission ability is disabled.] (SRS_Nm_02512)

[SWS_CanNm_00177] [The service CanNm_EnableCommunication shall return E_NOT_OK if the Network Management PDU transmission ability is enabled.] ()

[SWS_CanNm_00295] [The service CanNm_EnableCommunication shall return E_NOT_OK, if the current mode is not Network Mode.] ()

[SWS_CanNm_00263] [Caveats of CanNm_EnableCommunication: The CanNm module is initialized correctly.] ()

[SWS_CanNm_00264] [Configuration of `CanNm_EnableCommunication`: Optional (Only available if `CanNmComControlEnabled` is set to `TRUE`).] ()

8.3.8 CanNm_SetUserData

[SWS_CanNm_00217]

Service Name	CanNm_SetUserData	
Syntax	<pre>Std_ReturnType CanNm_SetUserData (NetworkHandleType nmChannelHandle, const uint8* nmUserDataPtr)</pre>	
Service ID [hex]	0x04	
Sync/Async	Synchronous	
Reentrancy	Reentrant (but not for the same NM-channel)	
Parameters (in)	nmChannelHandle	Identification of the NM-channel
	nmUserDataPtr	Pointer where the user data for the next transmitted NM PDU shall be copied from
Parameters (inout)	None	
Parameters (out)	None	
Return value	Std_Return-Type	E_OK: No error E_NOT_OK: Setting of user data has failed
Description	Set user data for NM PDUs transmitted next on the bus.	
Available via	CanNm.h	

]()

[SWS_CanNm_00265] [Caveats of `CanNm_SetUserData`: The `CanNm` module is initialized correctly.] ()

[SWS_CanNm_00266] [Configuration of `CanNm_SetUserData`: Optional (Only available if `CanNmUserDataEnabled` is set to `TRUE` and `CanNmPassiveModeEnabled` is not defined)] ()

8.3.9 CanNm_GetUserData

[SWS_CanNm_00218]

Service Name	CanNm_GetUserData	
Syntax	<pre>Std_ReturnType CanNm_GetUserData (NetworkHandleType nmChannelHandle,</pre>	

	uint8* nmUserDataPtr)	
Service ID [hex]	0x05	
Sync/Async	Synchronous	
Reentrancy	Reentrant	
Parameters (in)	nmChannel Handle	Identification of the NM-channel
Parameters (inout)	None	
Parameters (out)	nmUserDataPtr	Pointer where user data out of the most recently received NM PDU shall be copied to
Return value	Std_Return-Type	E_OK: No error E_NOT_OK: Getting of user data has failed
Description	Get user data out of the most recently received NM PDU.	
Available via	CanNm.h	

]()

[SWS_CanNm_00267] [Caveats of CanNm_GetUserData: The CanNm module is initialized correctly.] ()

[SWS_CanNm_00268] [Configuration of CanNm_GetUserData: Optional (Only available if CanNmUserDataEnabled is set to TRUE).] ()

8.3.10 CanNm_Transmit

[SWS_CanNm_00331]

Service Name	CanNm_Transmit	
Syntax	Std_ReturnType CanNm_Transmit (PduIdType TxPduId, const PduInfoType* PduInfoPtr)	
Service ID [hex]	0x49	
Sync/Async	Synchronous	
Reentrancy	Reentrant for different PduIds. Non reentrant for the same PduId.	
Parameters (in)	TxPduId	Identifier of the PDU to be transmitted
	PduInfoPtr	Length of and pointer to the PDU data and pointer to Meta Data.
Parameters (inout)	None	
Parameters (out)	None	

Return value	Std_Return-Type	E_OK: Transmit request has been accepted. E_NOT_OK: Transmit request has not been accepted.
Description	Requests transmission of a PDU.	
Available via	CanNm.h	

]()

[SWS_CanNm_00330] [If `CanNmComUserDataSupport` or `CanNmGlobalPnSupport` is enabled the `CanNm` implementation shall provide an API `CanNm_Transmit()`]

[SWS_CanNm_00333] [If `CanNmComUserDataSupport` is enabled and if `CanNm` is in `RepeatMessage` state or `NormalOperation` state and if `CanNm_Transmit()` is called `CanNm` shall request an additional transmission of the NM PDU with the current user data.] (SRS_Nm_02527)

8.3.11 CanNm_GetNodeIdentifier

[SWS_CanNm_00219]

Service Name	CanNm_GetNodeIdentifier	
Syntax	<pre>Std_ReturnType CanNm_GetNodeIdentifier (NetworkHandleType nmChannelHandle, uint8* nmNodeIdPtr)</pre>	
Service ID [hex]	0x06	
Sync/Async	Synchronous	
Reentrancy	Reentrant	
Parameters (in)	nmChannel Handle	Identification of the NM-channel
Parameters (inout)	None	
Parameters (out)	nmNodeId Ptr	Pointer where node identifier out of the most recently received NM PDU shall be copied to
Return value	Std_Return-Type	E_OK: No error E_NOT_OK: Getting of the node identifier out of the most recently received NM PDU has failed or is not configured for this network handle.
Description	Get node identifier out of the most recently received NM PDU.	
Available via	CanNm.h	

]()

[SWS_CanNm_00132] [The service call `CanNm_GetNodeIdentifier` shall provide the node identifier out of the most recently received Network Management PDU if `CanNmNodeIdEnabled` is set to TRUE.] (SRS_Nm_02506)

[SWS_CanNm_00269] [Caveats of `CanNm_GetNodeIdentifier`: The `CanNm` module is initialized correctly.] ()

8.3.12 `CanNm_GetLocalNodeIdentifier`

[SWS_CanNm_00220]

Service Name	CanNm_GetLocalNodeIdentifier	
Syntax	Std_ReturnType CanNm_GetLocalNodeIdentifier (NetworkHandleType nmChannelHandle, uint8* nmNodeIdPtr)	
Service ID [hex]	0x07	
Sync/Async	Synchronous	
Reentrancy	Reentrant	
Parameters (in)	nmChannelHandle	Identification of the NM-channel
Parameters (inout)	None	
Parameters (out)	nmNodeIdPtr	Pointer where node identifier of the local node shall be copied to
Return value	Std_Return-Type	E_OK: No error E_NOT_OK: Getting of the node identifier of the local node has failed or is not configured for this network handle.
Description	Get node identifier configured for the local node.	
Available via	CanNm.h	

]()

[SWS_CanNm_00133] [The service call `CanNm_GetLocalNodeIdentifier` shall provide the node identifier configured for the local host node if `CanNmNodeIdEnabled` is set to TRUE.] ()

[SWS_CanNm_00271] [Caveats of `CanNm_GetLocalNodeIdentifier`: The `CanNm` module is initialized correctly.] ()

8.3.13 `CanNm_RepeatMessageRequest`

[SWS_CanNm_00221]

Service Name	CanNm_RepeatMessageRequest
---------------------	----------------------------

Syntax	Std_ReturnType CanNm_RepeatMessageRequest (NetworkHandleType nmChannelHandle)	
Service ID [hex]	0x08	
Sync/Async	Asynchronous	
Reentrancy	Reentrant (but not for the same NM-channel)	
Parameters (in)	nmChannel Handle	Identification of the NM-channel
Parameters (inout)	None	
Parameters (out)	None	
Return value	Std_Return-Type	E_OK: No error E_NOT_OK: Setting of Repeat Message Request Bit has failed or is not configured for this network handle.
Description	Set Repeat Message Request Bit for NM PDUs transmitted next on the bus.	
Available via	CanNm.h	

()

[SWS_CanNm_00273] [Caveats of CanNm_RepeatMessageRequest: The CanNm module is initialized correctly.] ()

8.3.14 CanNm_GetPduData

[SWS_CanNm_00222]

Service Name	CanNm_GetPduData	
Syntax	Std_ReturnType CanNm_GetPduData (NetworkHandleType nmChannelHandle, uint8* nmPduDataPtr)	
Service ID [hex]	0x0a	
Sync/Async	Synchronous	
Reentrancy	Reentrant	
Parameters (in)	nmChannel Handle	Identification of the NM-channel
Parameters (inout)	None	
Parameters (out)	nmPduDataPtr	Pointer where NM PDU shall be copied to

Return value	Std_Return-Type	E_OK: No error E_NOT_OK: Getting of NM PDU Data has failed or is not configured for this network handle.
Description	Get the whole PDU data out of the most recently received NM PDU.	
Available via	CanNm.h	

]()

[SWS_CanNm_00275] [Caveats of `CanNm_GetPduData`: The `CanNm` module is initialized correctly.] ()

[SWS_CanNm_00138] [The service call `CanNm_GetPduData` shall provide whole PDU data (Node ID, Control Bit Vector and User Data) of the most recently received Network Management PDU if `CanNmNodeDetectionEnabled` or `CanNmUserDataEnabled` or `CanNmNodeIdEnabled` is set to TRUE.] ()

8.3.15 CanNm_GetState

[SWS_CanNm_00223]

Service Name	CanNm_GetState	
Syntax	<pre>Std_ReturnType CanNm_GetState (NetworkHandleType nmChannelHandle, Nm_StateType* nmStatePtr, Nm_ModeType* nmModePtr)</pre>	
Service ID [hex]	0x0b	
Sync/Async	Synchronous	
Reentrancy	Reentrant	
Parameters (in)	nmChannel Handle	Identification of the NM-channel
Parameters (inout)	None	
Parameters (out)	nmStatePtr	Pointer where state of the network management shall be copied to
	nmModePtr	Pointer where the mode of the network management shall be copied to
Return value	Std_ReturnType	E_OK: No error E_NOT_OK: Getting of NM state has failed
Description	Returns the state and the mode of the network management.	
Available via	CanNm.h	

]()

[SWS_CanNm_00277] [Caveats of CanNm_GetState: The CanNm module is initialized correctly.] ()

8.3.16 CanNm_GetVersionInfo

[SWS_CanNm_00224]

Service Name	CanNm_GetVersionInfo	
Syntax	<pre>void CanNm_GetVersionInfo (Std_VersionInfoType* versioninfo)</pre>	
Service ID [hex]	0xf1	
Sync/Async	Synchronous	
Reentrancy	Reentrant	
Parameters (in)	None	
Parameters (inout)	None	
Parameters (out)	versioninfo	Pointer to where to store the version information of this module
Return value	None	
Description	This service returns the version information of this module.	
Available via	CanNm.h	

]()

8.3.17 CanNm_RequestBusSynchronization

[SWS_CanNm_00226]

Service Name	CanNm_RequestBusSynchronization	
Syntax	<pre>Std_ReturnType CanNm_RequestBusSynchronization (NetworkHandleType nmChannelHandle)</pre>	
Service ID [hex]	0xc0	
Sync/Async	Synchronous	
Reentrancy	Non Reentrant	
Parameters (in)	nmChannelHandle	Identification of the NM-channel
Parameters (inout)	None	
Parameters (out)	None	
Return value	Std_ReturnType	E_OK: No error

	E_NOT_OK: Requesting of bus synchronization has failed
Description	Request bus synchronization.
Available via	CanNm.h

](SRS_Nm_02516)

[SWS_CanNm_00279] [Caveats of `CanNm_RequestBusSynchronization`: The `CanNm` module is initialized correctly.] ()

[SWS_CanNm_00280] [Configuration of `CanNm_RequestBusSynchronization`: Optional (Only available if `CanNmBusSynchronizationEnabled` is set to `TRUE`) and `CanNmPassiveModeEnabled` is not defined.] (SRS_Nm_02516)

[SWS_CanNm_00130] [The service call `CanNm_RequestBusSynchronization` shall trigger transmission of a single Network Management PDU if `CanNmPassiveModeEnabled` (configuration parameter) is not defined.] (SRS_Nm_02516)

Rationale: This service is typically used for supporting the NM gateway extensions.

[SWS_CanNm_00187] [If `CanNm_RequestBusSynchronization` is called in Bus-Sleep Mode and Prepare Bus-Sleep Mode the `CanNm` module shall not execute the service and shall return `E_NOT_OK`.] ()

8.3.18 `CanNm_CheckRemoteSleepIndication`

[SWS_CanNm_00227]

Service Name	<code>CanNm_CheckRemoteSleepIndication</code>	
Syntax	<pre>Std_ReturnType CanNm_CheckRemoteSleepIndication (NetworkHandleType nmChannelHandle, boolean* nmRemoteSleepIndPtr)</pre>	
Service ID [hex]	0xd0	
Sync/Async	Synchronous	
Reentrancy	Reentrant	
Parameters (in)	<code>nmChannelHandle</code>	Identification of the NM-channel
Parameters (inout)	None	
Parameters (out)	<code>nmRemoteSleepIndPtr</code>	Pointer where check result of remote sleep indication shall be copied to
Return value	<code>Std_ReturnType</code>	<code>E_OK</code> : No error <code>E_NOT_OK</code> : Checking of remote sleep indication bits has failed

Description	Check if remote sleep indication takes place or not.
Available via	CanNm.h

]()

[SWS_CanNm_00153] [Service call `CanNm_CheckRemoteSleepIndication` shall provide the information about current status of Remote Sleep Indication (i.e. already detected or not).] (SRS_Nm_00052, SRS_Nm_02509)

[SWS_CanNm_00281] [Caveats of `CanNm_CheckRemoteSleepIndication`: The CanNm module is initialized correctly.] ()

[SWS_CanNm_00282] [Configuration of `CanNm_CheckRemoteSleepIndication`: Optional (Only available if `CanNmRemoteSleepIndEnabled` is set to `TRUE`).] ()

8.3.19 CanNm_SetSleepReadyBit

[SWS_CanNm_00338]

Service Name	CanNm_SetSleepReadyBit	
Syntax	<pre>Std_ReturnType CanNm_SetSleepReadyBit (NetworkHandleType nmChannelHandle, boolean nmSleepReadyBit)</pre>	
Service ID [hex]	0x17	
Sync/Async	Synchronous	
Reentrancy	Reentrant (but not for the same NM-channel)	
Parameters (in)	nmChannelHandle	Identification of the NM-channel
	nmSleepReadyBit	Value written to ReadySleep Bit in CBV
Parameters (inout)	None	
Parameters (out)	None	
Return value	Std_ReturnType	E_OK: No error E_NOT_OK: Writing of remote sleep indication bit has failed
Description	Set the NM Coordinator Sleep Ready bit in the Control Bit Vector	
Available via	CanNm.h	

]()

[SWS_CanNm_00339] [Caveats of `CanNm_SetSleepReadyBit`: The CanNm module is initialized correctly.]()

[SWS_CanNm_00340] [Configuration of `CanNm_SetSleepReadyBit`: Optional (Only available if `CanNmCoordinatorSyncSupport` is set to `TRUE`).]()

8.4 Call-back Notifications

8.4.1 CanNm_TxConfirmation

[SWS_CanNm_00228]

Service Name	CanNm_TxConfirmation	
Syntax	<pre>void CanNm_TxConfirmation (PduIdType TxPduId, Std_ReturnType result)</pre>	
Service ID [hex]	0x40	
Sync/Async	Synchronous	
Reentrancy	Reentrant for different PduIds. Non reentrant for the same PduId.	
Parameters (in)	TxPduId	ID of the PDU that has been transmitted.
	result	E_OK: The PDU was transmitted. E_NOT_OK: Transmission of the PDU failed.
Parameters (inout)	None	
Parameters (out)	None	
Return value	None	
Description	The lower layer communication interface module confirms the transmission of a PDU, or the failure to transmit a PDU.	
Available via	CanNm.h	

]()

[SWS_CanNm_00283] [Caveats of `CanNm_TxConfirmation`:

- The call context is either on interrupt level (interrupt mode) or on task level (polling mode). This callback service is re-entrant for multiple CAN controller usage.
- The CanNm module is initialized correctly.] ()

[SWS_CanNm_00284] [Configuration of `CanNm_TxConfirmation`: Optional (Only available if `CanNmPassiveModeEnabled` and `CanNmImmediateTxConfEnabled` are set to `FALSE`).] (SRS_Nm_02510)

8.4.2 CanNm_RxIndication

[SWS_CanNm_00231]

Service Name	CanNm_RxIndication	
Syntax	<pre>void CanNm_RxIndication (PduIdType RxPduId, const PduInfoType* PduInfoPtr)</pre>	
Service ID [hex]	0x42	
Sync/Async	Synchronous	
Reentrancy	Reentrant for different PduIds. Non reentrant for the same PduId.	
Parameters (in)	RxPduId	ID of the received PDU.
	PduInfoPtr	Contains the length (SduLength) of the received PDU, a pointer to a buffer (SduDataPtr) containing the PDU, and the MetaData related to this PDU.
Parameters (inout)	None	
Parameters (out)	None	
Return value	None	
Description	Indication of a received PDU from a lower layer communication interface module.	
Available via	CanNm.h	

]()

Note: The callback function `CanNm_RxIndication` called by the CAN Interface and implemented by the CanNm module. It is called in case of a receive indication event of the CAN Driver.

[SWS_CanNm_00285] [Caveats of `CanNm_RxIndication`:

- Until this service returns the CAN Interface will not access `canSduPtr`. The `canSduPtr` is only valid and can be used by upper layers until the indication returns. CAN Interface guarantees that the number of configured bytes for this `canNmRxPduId` is valid. The call context is either on interrupt level (interrupt mode) or on task level (polling mode). This callback service is re-entrant for multiple CAN controller usage.
- The CanNm module is initialized correctly.] ()

8.4.3 CanNm_ConfirmPnAvailability

[SWS_CanNm_00344]

Service Name	CanNm_ConfirmPnAvailability	
Syntax	<pre>void CanNm_ConfirmPnAvailability (NetworkHandleType nmChannelHandle</pre>	

)	
Service ID [hex]	0x16	
Sync/Async	Synchronous	
Reentrancy	Reentrant (but not for the same NM-channel)	
Parameters (in)	nmChannelHandle	Identification of the NM-channel
Parameters (inout)	None	
Parameters (out)	None	
Return value	None	
Description	Enables the PN filter functionality on the indicated NM channel. Availability: The API is only available if CanNmGlobalPnSupport is TRUE.	
Available via	CanNm.h	

]()

[SWS_CanNm_00345] [Caveats of CanNm_ConfirmPnAvailability: The CanNm module is initialized correctly.]()

[SWS_CanNm_00346] [Configuration of CanNm_ConfirmPnAvailability: Optional (Only available if CanNmGlobalPnSupport is set to TRUE).]()

8.4.4 CanNm_TriggerTransmit

[SWS_CanNm_91001]

Service Name	CanNm_TriggerTransmit	
Syntax	<pre>Std_ReturnType CanNm_TriggerTransmit (PduIdType TxPduId, PduInfoType* PduInfoPtr)</pre>	
Service ID [hex]	0x41	
Sync/Async	Synchronous	
Reentrancy	Reentrant for different PduIds. Non reentrant for the same PduId.	
Parameters (in)	TxPduId	ID of the SDU that is requested to be transmitted.
Parameters (inout)	PduInfoPtr	Contains a pointer to a buffer (SduDataPtr) to where the SDU data shall be copied, and the available buffer size in SduLength. On return, the service will indicate the length of the copied SDU data in SduLength.

Parameters (out)	None	
Return value	Std_Return-Type	E_OK: SDU has been copied and SduLength indicates the number of copied bytes. E_NOT_OK: No SDU data has been copied. PduInfoPtr must not be used since it may contain a NULL pointer or point to invalid data.
Description	Within this API, the upper layer module (called module) shall check whether the available data fits into the buffer size reported by PduInfoPtr->SduLength. If it fits, it shall copy its data into the buffer provided by PduInfoPtr->SduDataPtr and update the length of the actual copied data in PduInfoPtr->SduLength. If not, it returns E_NOT_OK without changing PduInfoPtr.	
Available via	CanNm.h	

()

[SWS_CanNm_00350] | If `CanNmComUserDataSupport` is enabled `CanNm` shall collect the NM User Data from the referenced NM I-PDU by calling `PduR_CanNmTriggerTransmit` and combine the user data with the further NM bytes within the call of `CanNm_TriggerTransmit`.| (SRS_Nm_02503)

[SWS_CanNm_00351] | The function `CanNm_TriggerTransmit` shall copy the NM PDU data of the according NM PDU requested by `TxPduId`| (SRS_Nm_02503)

Note: The function `CanNm_TriggerTransmit` might be called by the `CanIf` in an interrupt context.

8.5 Scheduled Functions

8.5.1 CanNm_MainFunction

[SWS_CanNm_00234]|

Service Name	CanNm_MainFunction
Syntax	<pre>void CanNm_MainFunction (void)</pre>
Service ID [hex]	0x13
Description	Main function of the <code>CanNm</code> which processes the algorithm describes in that document.
Available via	SchM_CanNm.h

()

Note that as requirement `SWS_BSW_00037` specifies, `CanNm_MainFunction` will return without executing any functionality if the module is not initialized.

8.6 Expected Interfaces

In this chapter all interfaces required from other modules are listed.

8.6.1 Mandatory Interfaces

This chapter defines all interfaces which are required to fulfill the core functionality of the module.

[SWS_CanNm_00324]

<i>API Function</i>	<i>Header File</i>	<i>Description</i>
Det_Report- RuntimeError	Det.h	Service to report runtime errors. If a callout has been configured then this callout shall be called.
Nm_BusSleep- Mode	Nm.h	Notification that the network management has entered Bus-Sleep Mode.
Nm_Network- Mode	Nm.h	Notification that the network management has entered Network Mode.
Nm_Network- StartIndication	Nm.h	Notification that a NM-message has been received in the Bus-Sleep Mode, what indicates that some nodes in the network have already entered the Network Mode.
Nm_Prepare- BusSleepMode	Nm.h	Notification that the network management has entered Prepare Bus-Sleep Mode.

]()

8.6.2 Optional Interfaces

This chapter defines all interfaces which are required to fulfill an optional functionality of the module.

[SWS_CanNm_00325]

<i>API Function</i>	<i>Header File</i>	<i>Description</i>
CanIf_Transmit	CanIf.h	Requests transmission of a PDU.
CanSM_Tx- Timeout- Exception	CanSM_ CanIf.h	This function shall notify the CanSM module, that the CanNm has detected for the affected partial CAN network a tx timeout exception, which shall be recovered within the respective network state machine of the CanSM module.
Det_ReportError	Det.h	Service to report development errors.
Nm_CarWake- UpIndication	Nm.h	This function is called by a <Bus>Nm to indicate reception of a CWU request.
Nm_Coord-	Nm.h	Cancels an indication, when the NM Coordinator Sleep Ready bit in

ReadyToSleep-Cancellation		the Control Bit Vector is set back to 0.
Nm_Coord-ReadyToSleep-Indication	Nm.h	Sets an indication, when the NM Coordinator Sleep Ready bit in the Control Bit Vector is set
Nm_PduRx-Indication	Nm.h	Notification that a NM message has been received.
Nm_Remote-Sleep-Cancellation	Nm.h	Notification that the network management has detected that not all other nodes on the network are longer ready to enter Bus-Sleep Mode.
Nm_Remote-SleepIndication	Nm.h	Notification that the network management has detected that all other nodes on the network are ready to enter Bus-Sleep Mode.
Nm_Repeat-Message-Indication	Nm.h	Service to indicate that an NM message with set Repeat Message Request Bit has been received.
Nm_State-Change-Notification	Nm.h	Notification that the state of the lower layer <BusNm> has changed.
Nm_TxTimeout-Exception	Nm.h	Service to indicate that an attempt to send an NM message failed.
PduR_CanNm-RxIndication	PduR_CanNm.h	Indication of a received PDU from a lower layer communication interface module.
PduR_CanNm-TriggerTransmit	PduR_CanNm.h	Within this API, the upper layer module (called module) shall check whether the available data fits into the buffer size reported by PduInfoPtr->SduLength. If it fits, it shall copy its data into the buffer provided by PduInfoPtr->SduDataPtr and update the length of the actual copied data in PduInfoPtr->SduLength. If not, it returns E_NOT_OK without changing PduInfoPtr.
PduR_CanNm-TxConfirmation	PduR_CanNm.h	The lower layer communication interface module confirms the transmission of a PDU, or the failure to transmit a PDU.

]()

8.6.3 Configurable interfaces

CanNm does not provide any configurable interfaces.

8.6.4 Job End Notification

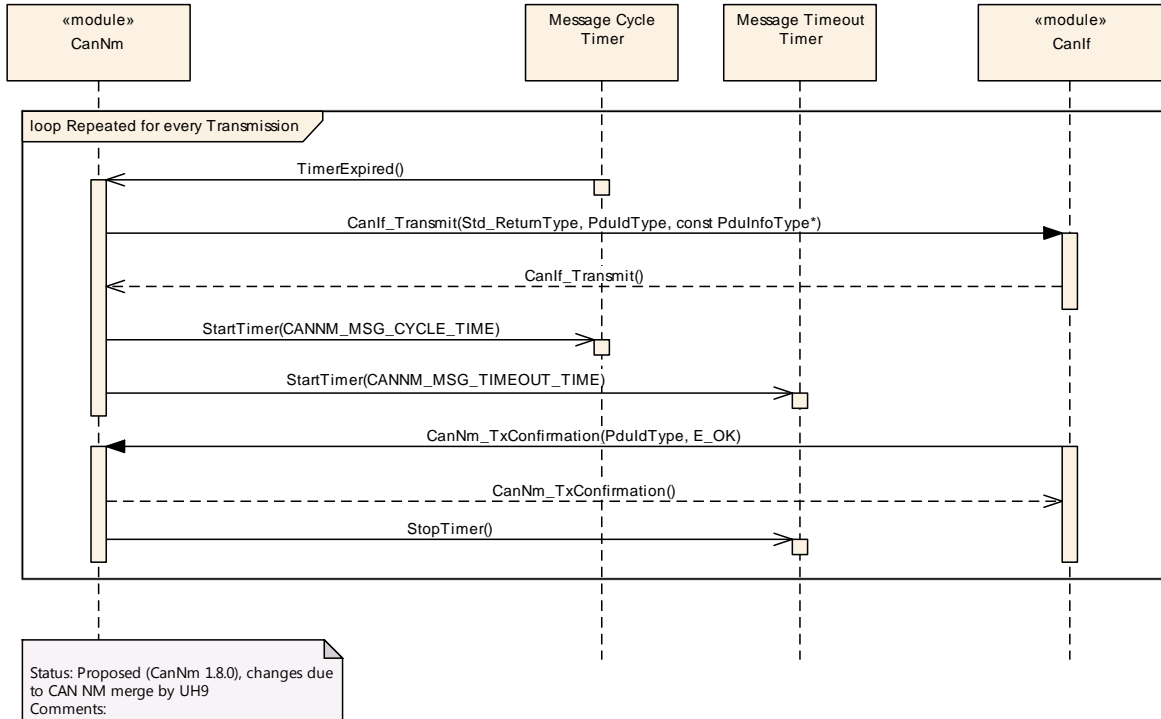
CanNm does not provide any job end notifications.

8.7 Service Interfaces

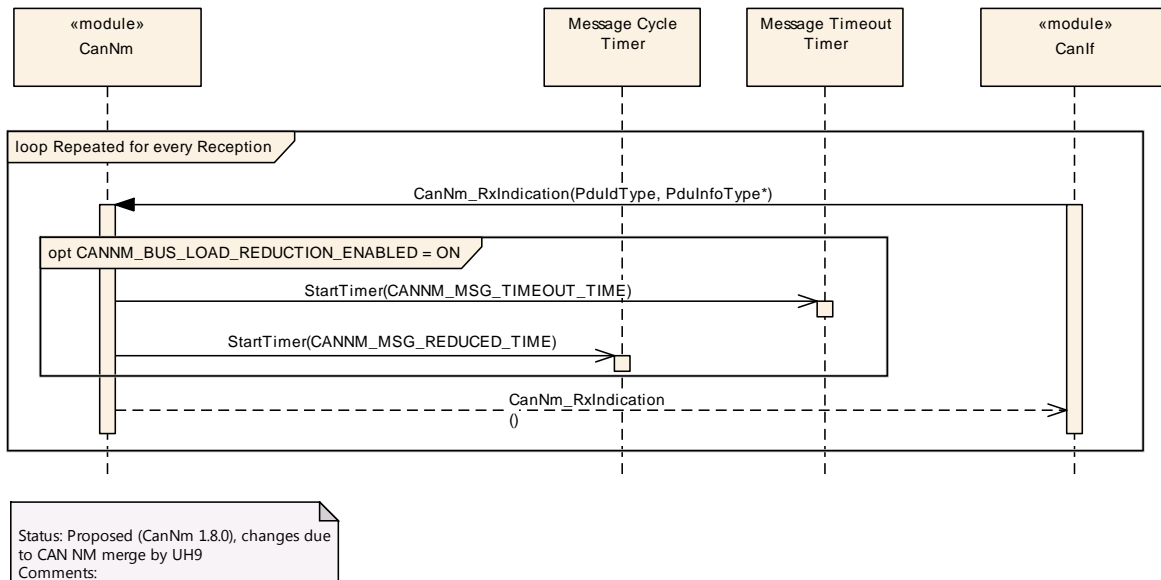
CanNm does not provide any service interfaces.

9 Sequence diagrams

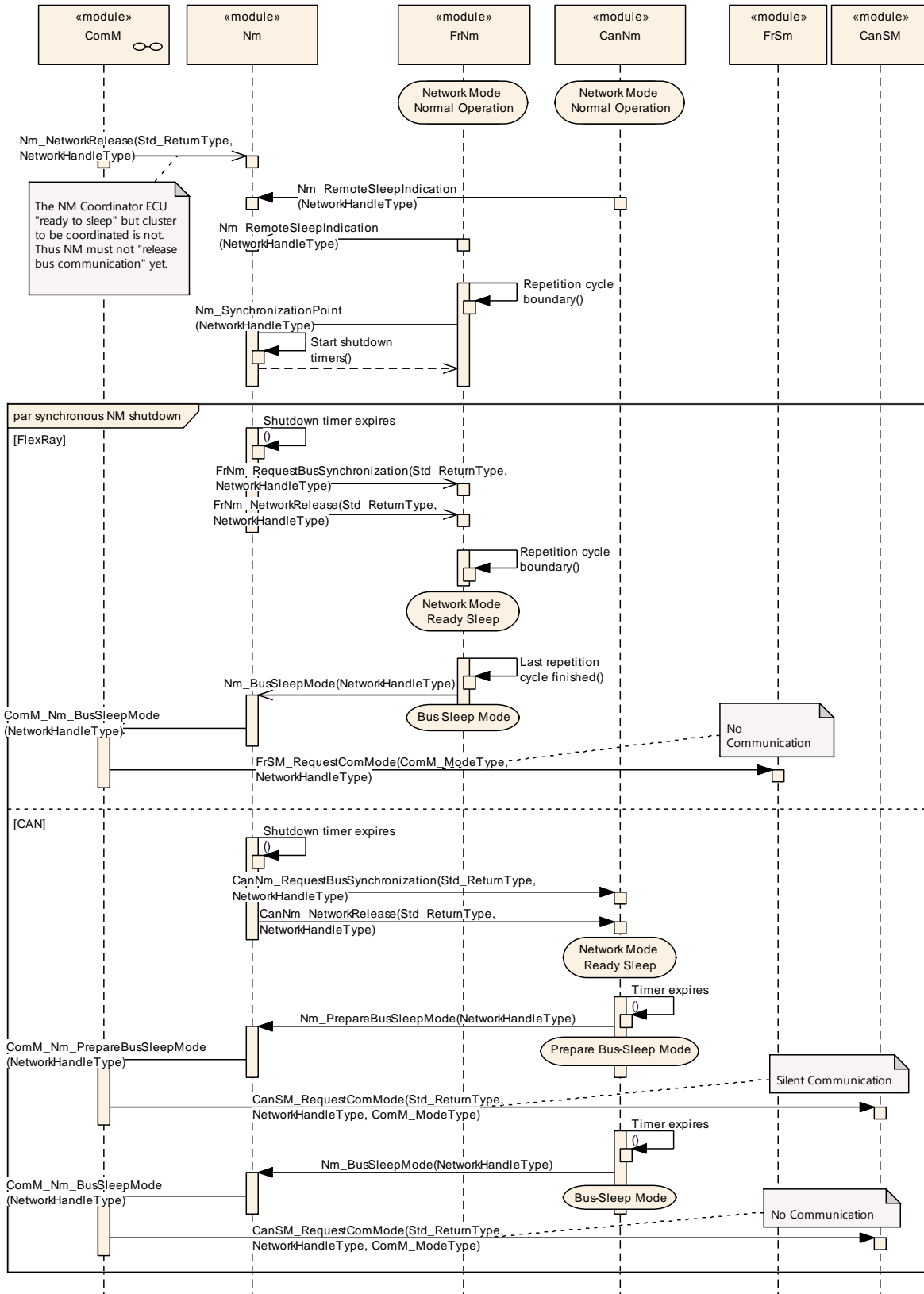
9.1 CanNm Transmission



9.2 CanNm Reception



9.3 Nm Coordination



10 Configuration specification

In general, this chapter defines configuration parameters and their clustering into containers. In order to support the specification chapter 10.1 describes fundamentals. It also specifies a template (table) you shall use for the parameter specification. We intend to leave chapter 10.1 in the specification to guarantee comprehension.

Chapter 10.2 specifies the structure (containers) and the parameters of the module CanNm.

Chapter 10.3 specifies published information of the module CanNm.

10.1 How to read this chapter

For details refer to the chapter 10.1 “Introduction to configuration specification” in *SWS_BSWGeneral* [9].

Additionally it is highly recommended to read the document *Specification of ECU Configuration* [5]. This document describes the AUTOSAR configuration methodology and the AUTOSAR configuration meta model in detail.

10.2 Containers and configuration parameters

The following chapters summarize all configuration parameters. The detailed meanings of the parameters are described in the chapters 7 and 7.19.

The configuration parameters as defined in this chapter are used to create a data model for an AUTOSAR tool chain. The realization in the code is implementation specific.

The configuration parameters as defined in this chapter are used to create a data model for an AUTOSAR tool chain. The realization in the code is implementation specific.

The configuration parameters are divided in parameters which are used to enable features, parameters which affect all channels of the CanNm and parameters which affect the respective channels of the CanNm.

10.2.1 CanNm Global Configuration Overview

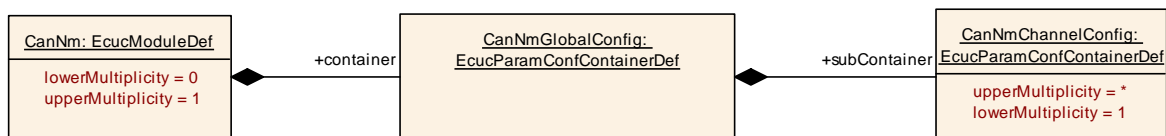


Figure 10-1 CanNm top level configuration overview

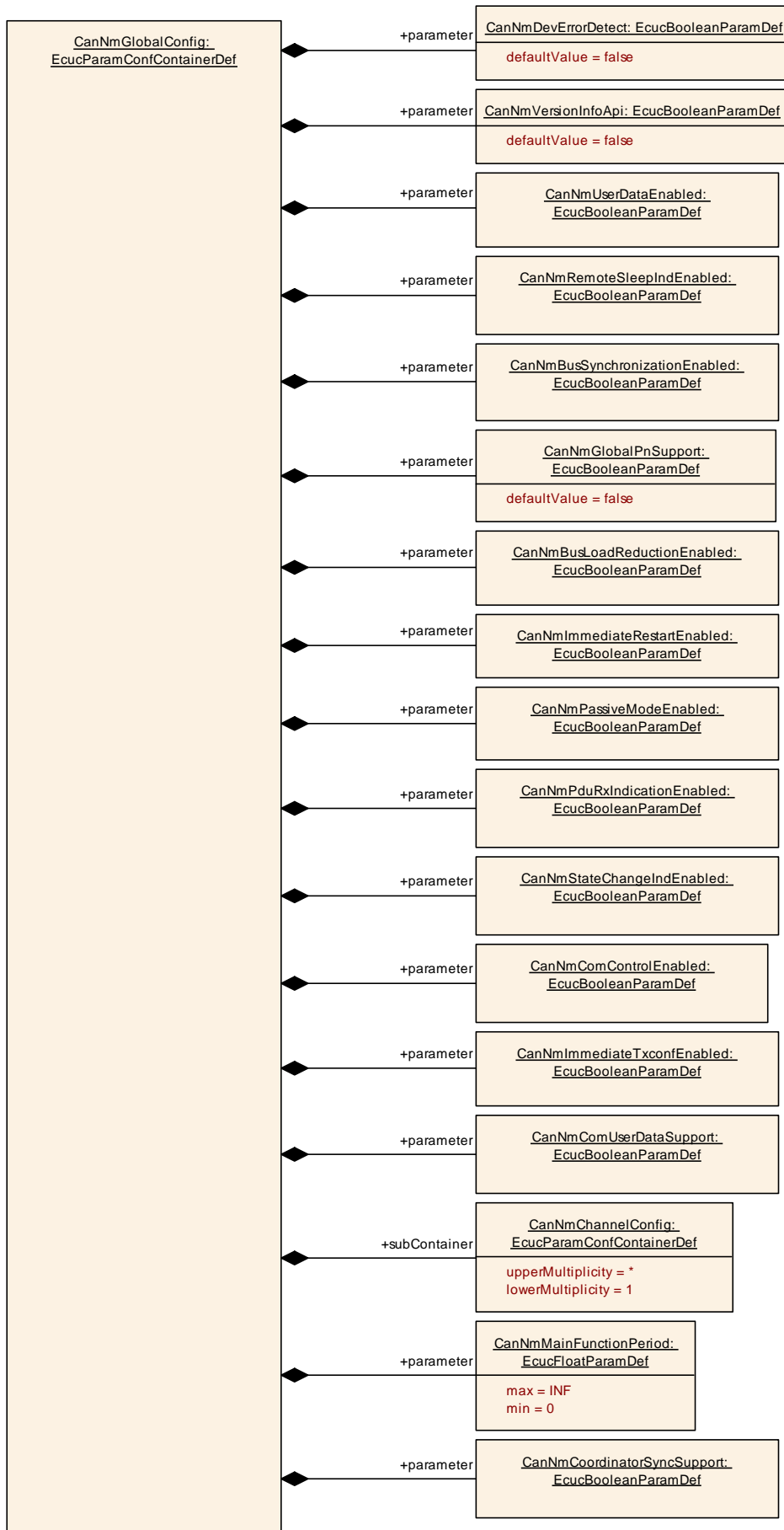


Figure 10-2 Parameters of CanNm global configuration

10.2.2 CanNm

SWS Item	ECUC_CanNm_00087 :
Module Name	CanNm
Module Description	Configuration Parameters for the Can Nm module.
Post-Build Variant Support	true
Supported Config Variants	VARIANT-LINK-TIME, VARIANT-POST-BUILD, VARIANT-PRE-COMPILE

Included Containers		
Container Name	Multiplicity	Scope / Dependency
CanNmGlobalConfig	1	This container contains the global configuration parameter of the CanNm. The parameters and the parameters of the sub containers shall be mapped to the C data type CanNm_ConfigType (for parameters where it is possible) which is passed to the CanNm_Init function.

10.2.3 CanNmGlobalConfig

SWS Item	ECUC_CanNm_00001 :
Container Name	CanNmGlobalConfig
Parent Container	CanNm
Description	This container contains the global configuration parameter of the CanNm. The parameters and the parameters of the sub containers shall be mapped to the C data type CanNm_ConfigType (for parameters where it is possible) which is passed to the CanNm_Init function.
Configuration Parameters	

SWS Item	ECUC_CanNm_00040 :		
Name	CanNmBusLoadReductionEnabled		
Parent Container	CanNmGlobalConfig		
Description	Pre-processor switch for enabling busload reduction support.		
Multiplicity	1		
Type	EcucBooleanParamDef		
Default value	--		
Post-Build Variant Value	false		
Value Configuration Class	Pre-compile time	X	All Variants
	Link time	--	
	Post-build time	--	
Scope / Dependency	scope: local dependency: CanNmBusLoadReductionEnabled = false if CanNmPassiveModeEnabled == true or CanNmGlobalPnSupport == true		

SWS Item	ECUC_CanNm_00006 :		
Name	CanNmBusSynchronizationEnabled		
Parent Container	CanNmGlobalConfig		
Description	Pre-processor switch for enabling bus synchronization support. This feature is required for gateway nodes only.		
Multiplicity	1		
Type	EcucBooleanParamDef		
Default value	--		
Post-Build Variant Value	false		
Value Configuration Class	Pre-compile time	X	All Variants
	Link time	--	

	Post-build time	--	
Scope / Dependency	scope: ECU dependency: calculationFormula = If (CanNmPassiveModeEnabled == False) then Equal(NmBusSynchronizationEnabled) else Equal(False)		

SWS Item	ECUC_CanNm_00013 :		
Name	CanNmComControlEnabled		
Parent Container	CanNmGlobalConfig		
Description	Pre-processor switch for enabling the Communication Control support.		
Multiplicity	1		
Type	EcucBooleanParamDef		
Default value	--		
Post-Build Variant Value	false		
Value Configuration Class	Pre-compile time	X	All Variants
	Link time	--	
	Post-build time	--	
Scope / Dependency	scope: ECU dependency: If (CanNmPassiveModeEnabled == False) then Equal(NmComControlEnabled) else Equal(False)		

SWS Item	ECUC_CanNm_00044 :		
Name	CanNmComUserDataSupport		
Parent Container	CanNmGlobalConfig		
Description	Preprocessor switch for enabling the Tx path of Com User Data. Use case: Setting of NMUserData via SWC.		
Multiplicity	1		
Type	EcucBooleanParamDef		
Default value	--		
Post-Build Variant Value	false		
Value Configuration Class	Pre-compile time	X	All Variants
	Link time	--	
	Post-build time	--	
Scope / Dependency	scope: ECU dependency: If CanNmPassiveModeEnabled == True then CanNmComUserDataSupport = False		

SWS Item	ECUC_CanNm_00080 :		
Name	CanNmCoordinatorSyncSupport		
Parent Container	CanNmGlobalConfig		
Description	Enables/disables the coordinator synchronization support.		
Multiplicity	1		
Type	EcucBooleanParamDef		
Default value	--		
Post-Build Variant Value	false		
Value Configuration Class	Pre-compile time	X	All Variants
	Link time	--	
	Post-build time	--	
Scope / Dependency	scope: ECU dependency: CanNmCoordinatorSyncSupport has to be set to FALSE if CanNmPassiveModeEnabled is set to TRUE.		

SWS Item	ECUC_CanNm_00002 :		
Name	CanNmDevErrorDetect		
Parent Container	CanNmGlobalConfig		
Description	Switches the development error detection and notification on or off.		

	<ul style="list-style-type: none"> true: detection and notification is enabled. false: detection and notification is disabled. 		
Multiplicity	1		
Type	EcucBooleanParamDef		
Default value	false		
Post-Build Variant Value	false		
Value Configuration Class	Pre-compile time	X	All Variants
	Link time	--	
	Post-build time	--	
Scope / Dependency	scope: local		

SWS Item	ECUC_CanNm_00086 :		
Name	CanNmGlobalPnSupport		
Parent Container	CanNmGlobalConfig		
Description	Pre-processor switch for enabling partial networking support globally.		
Multiplicity	1		
Type	EcucBooleanParamDef		
Default value	false		
Post-Build Variant Value	false		
Value Configuration Class	Pre-compile time	X	All Variants
	Link time	--	
	Post-build time	--	
Scope / Dependency	scope: local		

SWS Item	ECUC_CanNm_00009 :		
Name	CanNmImmediateRestartEnabled		
Parent Container	CanNmGlobalConfig		
Description	Pre-processor switch for enabling the immediate transmission of a NM PDU upon bus-communication request in Prepare-Bus-Sleep mode.		
Multiplicity	1		
Type	EcucBooleanParamDef		
Default value	--		
Post-Build Variant Value	false		
Value Configuration Class	Pre-compile time	X	All Variants
	Link time	--	
	Post-build time	--	
Scope / Dependency	scope: local dependency: Must not be defined if CanNmPassiveModeEnabled==true		

SWS Item	ECUC_CanNm_00041 :		
Name	CanNmImmediateTxconfEnabled		
Parent Container	CanNmGlobalConfig		
Description	Enable/disable the immediate tx confirmation.		
Multiplicity	1		
Type	EcucBooleanParamDef		
Default value	--		
Post-Build Variant Value	false		
Value Configuration Class	Pre-compile time	X	All Variants
	Link time	--	
	Post-build time	--	
Scope / Dependency	scope: ECU dependency: CanNmImmediateTxconfEnabled shall not be enabled if CanNmPasiveModeEnabled is enabled.		

SWS Item	ECUC_CanNm_00032 :		
Name	CanNmMainFunctionPeriod		
Parent Container	CanNmGlobalConfig		
Description	Call cycle in seconds of CanNm_MainFunction.		
Multiplicity	1		
Type	EcucFloatParamDef		
Range]0 .. INF[
Default value	--		
Post-Build Variant Value	false		
Value Configuration Class	Pre-compile time	X	VARIANT-PRE-COMPILE
	Link time	X	VARIANT-LINK-TIME, VARIANT-POST-BUILD
	Post-build time	--	
Scope / Dependency	scope: local		

SWS Item	ECUC_CanNm_00010 :		
Name	CanNmPassiveModeEnabled		
Parent Container	CanNmGlobalConfig		
Description	Pre-processor switch for enabling support of the Passive Mode.		
Multiplicity	1		
Type	EcucBooleanParamDef		
Default value	--		
Post-Build Variant Value	false		
Value Configuration Class	Pre-compile time	X	All Variants
	Link time	--	
	Post-build time	--	
Scope / Dependency	scope: ECU		

SWS Item	ECUC_CanNm_00011 :		
Name	CanNmPduRxIndicationEnabled		
Parent Container	CanNmGlobalConfig		
Description	Pre-processor switch for enabling the PDU Rx Indication.		
Multiplicity	1		
Type	EcucBooleanParamDef		
Default value	--		
Post-Build Variant Value	false		
Value Configuration Class	Pre-compile time	X	All Variants
	Link time	--	
	Post-build time	--	
Scope / Dependency	scope: ECU dependency: calculationFormula = Equal(NmPduRxIndicationEnabled)		

SWS Item	ECUC_CanNm_00070 :		
Name	CanNmPnEiraCalcEnabled		
Parent Container	CanNmGlobalConfig		
Description	Specifies if CanNm calculates the PN request information for internal an external requests. (EIRA) true: PN request are calculated false: PN request are not calculated		
Multiplicity	0..1		
Type	EcucBooleanParamDef		
Default value	false		
Post-Build Variant Multiplicity	false		
Post-Build Variant Value	false		
Multiplicity Configuration	Pre-compile time	X	All Variants

Class	Link time	--	
	Post-build time	--	
Value Configuration Class	Pre-compile time	X	All Variants
	Link time	--	
	Post-build time	--	
Scope / Dependency	scope: local dependency: only valid if CanNmGlobalPnSupport == true		

SWS Item	ECUC_CanNm_00059 :		
Name	CanNmPnResetTime		
Parent Container	CanNmGlobalConfig		
Description	Specifies the runtime of the reset timer in seconds. This reset time is valid for the reset of PN requests in the EIRA and in the ERA. The value shall be the same for every channel. Thus it is a global config parameter.		
Multiplicity	0..1		
Type	EcucFloatParamDef		
Range	[0.001 .. 65.535]		
Default value	--		
Post-Build Variant Multiplicity	false		
Post-Build Variant Value	false		
Multiplicity Configuration Class	Pre-compile time	X	VARIANT-PRE-COMPILE
	Link time	X	VARIANT-LINK-TIME, VARIANT-POST-BUILD
	Post-build time	--	
Value Configuration Class	Pre-compile time	X	VARIANT-PRE-COMPILE
	Link time	X	VARIANT-LINK-TIME, VARIANT-POST-BUILD
	Post-build time	--	
Scope / Dependency	scope: local dependency: only valid if CanNmGlobalPnSupport == true. CanNmPnResetTime > CanNmMsgCycleTime CanNmPnResetTime < CanNmTimeoutTime		

SWS Item	ECUC_CanNm_00055 :		
Name	CanNmRemoteSleepIndEnabled		
Parent Container	CanNmGlobalConfig		
Description	Pre-processor switch for enabling remote sleep indication support. This feature is required for gateway nodes only.		
Multiplicity	1		
Type	EcucBooleanParamDef		
Default value	--		
Post-Build Variant Value	false		
Value Configuration Class	Pre-compile time	X	All Variants
	Link time	--	
	Post-build time	--	
Scope / Dependency	scope: local dependency: calculationFormula = If (CanNmPassiveModeEnabled == False) then Equal(NmRemoteSleepIndEnabled) else Equal(False)		

SWS Item	ECUC_CanNm_00012 :		
Name	CanNmStateChangeIndEnabled		
Parent Container	CanNmGlobalConfig		
Description	Pre-processor switch for enabling the CAN NM state change notification.		
Multiplicity	1		
Type	EcucBooleanParamDef		

Default value	--		
Post-Build Variant Value	false		
Value Configuration Class	Pre-compile time	X	All Variants
	Link time	--	
	Post-build time	--	
Scope / Dependency	scope: ECU dependency: calculationFormula = Equal(NmStateChangeIdEnabled)		

SWS Item	ECUC_CanNm_00004 :		
Name	CanNmUserDataEnabled		
Parent Container	CanNmGlobalConfig		
Description	Pre-processor switch for enabling user data support.		
Multiplicity	1		
Type	EcucBooleanParamDef		
Default value	--		
Post-Build Variant Value	false		
Value Configuration Class	Pre-compile time	X	All Variants
	Link time	--	
	Post-build time	--	
Scope / Dependency	scope: ECU dependency: calculationFormula = Equal(NmUserDataEnabled)		

SWS Item	ECUC_CanNm_00003 :		
Name	CanNmVersionInfoApi		
Parent Container	CanNmGlobalConfig		
Description	Pre-processor switch for enabling version info API support.		
Multiplicity	1		
Type	EcucBooleanParamDef		
Default value	false		
Post-Build Variant Value	false		
Value Configuration Class	Pre-compile time	X	All Variants
	Link time	--	
	Post-build time	--	
Scope / Dependency	scope: ECU		

SWS Item	ECUC_CanNm_00072 :		
Name	CanNmPnEiraRxNSduRef		
Parent Container	CanNmGlobalConfig		
Description	Reference to a Pdu in the COM-Stack. Only one SduRef is required for CanNm because the EIRA is the aggregation over all Can Channels.		
Multiplicity	0..1		
Type	Reference to [Pdu]		
Post-Build Variant Multiplicity	false		
Post-Build Variant Value	false		
Multiplicity Configuration Class	Pre-compile time	X	VARIANT-PRE-COMPILE
	Link time	X	VARIANT-LINK-TIME, VARIANT-POST-BUILD
	Post-build time	--	
Value Configuration Class	Pre-compile time	X	VARIANT-PRE-COMPILE
	Link time	X	VARIANT-LINK-TIME, VARIANT-POST-BUILD
	Post-build time	--	
Scope / Dependency	scope: local dependency: only valid if CanNmPnEiraCalcEnabled == true		

Included Containers		
Container Name	Multiplicity	Scope / Dependency
CanNmChannelConfig	1..*	This container contains the channel specific configuration parameter of the CanNm.
CanNmPnInfo	0..1	PN information configuration

10.2.4 CanNm Channel Configuration Overview

[SWS_CanNm_00202] [The container CanNmChannelConfig specifies configuration parameter that shall be located in a data structure of type CanNm_ConfigType.] ()

[SWS_CanNm_00203] [Runtime configurable parameters listed below shall be configurable for each network management cluster separately.] ()

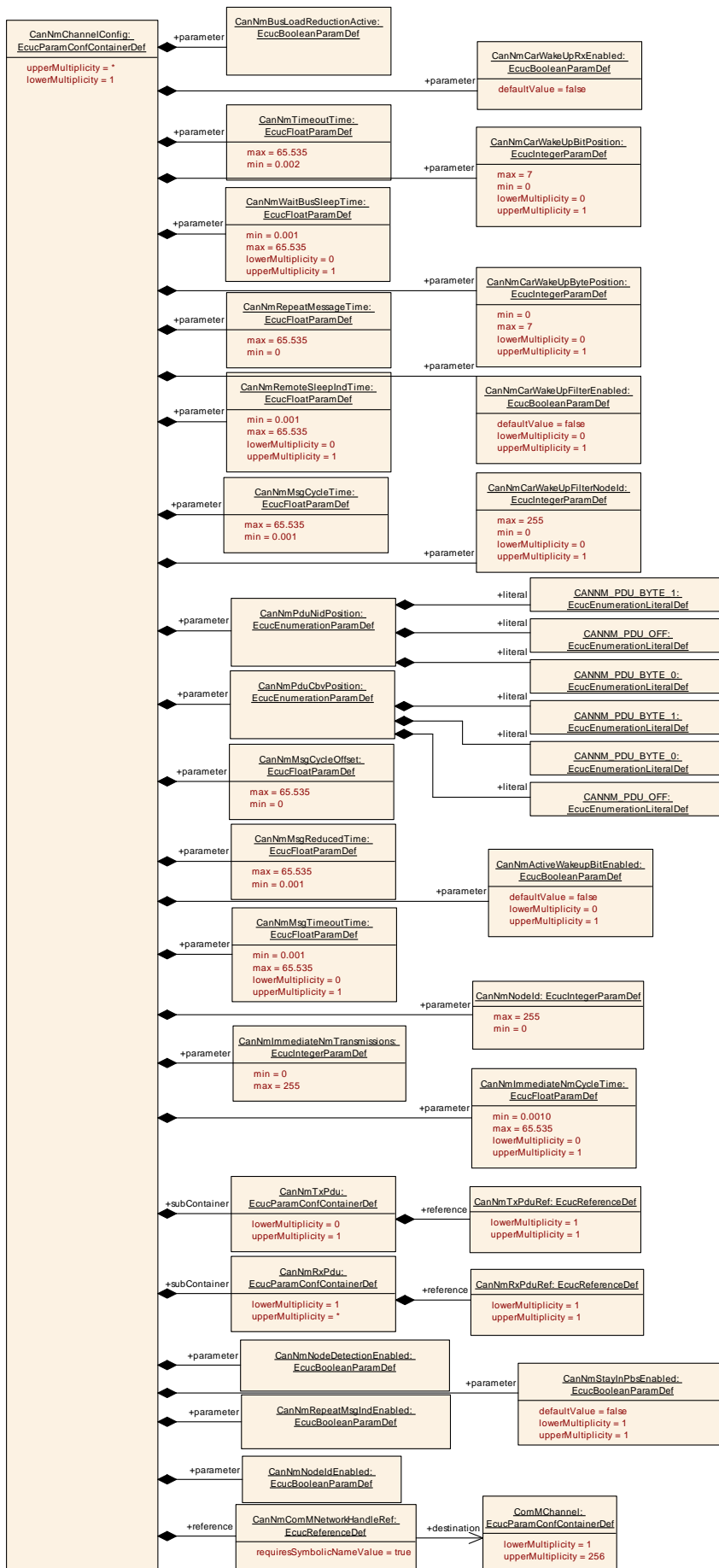


Figure 10-3 CanNm Channel Configuration Overview

10.2.5 CanNmChannelConfig

SWS Item	ECUC_CanNm_00017 :		
Container Name	CanNmChannelConfig		
Parent Container	CanNmGlobalConfig		
Description	This container contains the channel specific configuration parameter of the CanNm.		
Post-Build Variant Multiplicity	true		
Multiplicity Configuration Class	Pre-compile time	X	VARIANT-PRE-COMPILE, VARIANT-LINK-TIME, VARIANT-POST-BUILD
	Link time	--	
	Post-build time	--	
Configuration Parameters			

SWS Item	ECUC_CanNm_00084 :		
Name	CanNmActiveWakeupBitEnabled		
Parent Container	CanNmChannelConfig		
Description	Enables/Disables the handling of the Active Wakeup Bit in the CanNm module.		
Multiplicity	0..1		
Type	EcucBooleanParamDef		
Default value	false		
Post-Build Variant Multiplicity	false		
Post-Build Variant Value	false		
Multiplicity Configuration Class	Pre-compile time	X	VARIANT-PRE-COMPILE
	Link time	X	VARIANT-LINK-TIME, VARIANT-POST-BUILD
	Post-build time	--	
Value Configuration Class	Pre-compile time	X	VARIANT-PRE-COMPILE
	Link time	X	VARIANT-LINK-TIME, VARIANT-POST-BUILD
	Post-build time	--	
Scope / Dependency	scope: local dependency: This parameter is only valid if CanNmPassiveModeEnabled is False.		

SWS Item	ECUC_CanNm_00068 :		
Name	CanNmAllNmMessagesKeepAwake		
Parent Container	CanNmChannelConfig		
Description	Specifies if CanNm drops irrelevant NM PDUs. false: Only NM PDUs with a PNI bit = true and containing a PN request for this ECU triggers the standard RX indication handling true: Every NM PDU triggers the standard RX indication handling		
Multiplicity	0..1		
Type	EcucBooleanParamDef		
Default value	false		
Post-Build Variant Multiplicity	false		
Post-Build Variant Value	false		
Multiplicity Configuration Class	Pre-compile time	X	VARIANT-PRE-COMPILE
	Link time	X	VARIANT-LINK-TIME, VARIANT-POST-BUILD
	Post-build time	--	

Value Configuration Class	Pre-compile time	X	VARIANT-PRE-COMPILE
	Link time	X	VARIANT-LINK-TIME, VARIANT-POST-BUILD
	Post-build time	--	
Scope / Dependency	scope: local dependency: only valid if CanNmPnEiraCalcEnabled == true or CanNmPnEraCalcEnabled == true		

SWS Item	ECUC_CanNm_00042 :		
Name	CanNmBusLoadReductionActive		
Parent Container	CanNmChannelConfig		
Description	This parameter defines if bus load reduction for the respective NM channel is active or not.		
Multiplicity	1		
Type	EcucBooleanParamDef		
Default value	--		
Post-Build Variant Value	false		
Value Configuration Class	Pre-compile time	X	VARIANT-PRE-COMPILE
	Link time	X	VARIANT-LINK-TIME, VARIANT-POST-BUILD
	Post-build time	--	
Scope / Dependency	scope: local dependency: CanNmBusLoadReductionActive = false if CanNmBusLoadReductionEnabled == false		

SWS Item	ECUC_CanNm_00075 :		
Name	CanNmCarWakeUpBitPosition		
Parent Container	CanNmChannelConfig		
Description	Specifies the Bit position of the CWU within the NM PDU.		
Multiplicity	0..1		
Type	EcucIntegerParamDef		
Range	0 .. 7		
Default value	--		
Post-Build Variant Multiplicity	false		
Post-Build Variant Value	false		
Multiplicity Configuration Class	Pre-compile time	X	VARIANT-PRE-COMPILE
	Link time	X	VARIANT-LINK-TIME, VARIANT-POST-BUILD
	Post-build time	--	
Value Configuration Class	Pre-compile time	X	VARIANT-PRE-COMPILE
	Link time	X	VARIANT-LINK-TIME, VARIANT-POST-BUILD
	Post-build time	--	
Scope / Dependency	scope: local dependency: only available if CanNmCarWakeUpRxEnabled == TRUE		

SWS Item	ECUC_CanNm_00076 :		
Name	CanNmCarWakeUpBytePosition		
Parent Container	CanNmChannelConfig		
Description	Specifies the Byte position of the CWU within the NM PDU.		
Multiplicity	0..1		
Type	EcucIntegerParamDef		
Range	0 .. 7		
Default value	--		
Post-Build Variant	false		

Multiplicity			
Post-Build Variant Value	false		
Multiplicity Configuration Class	Pre-compile time	X	VARIANT-PRE-COMPILE
	Link time	X	VARIANT-LINK-TIME, VARIANT-POST-BUILD
	Post-build time	--	
Value Configuration Class	Pre-compile time	X	VARIANT-PRE-COMPILE
	Link time	X	VARIANT-LINK-TIME, VARIANT-POST-BUILD
	Post-build time	--	
Scope / Dependency	scope: local dependency: only available if CanNmCarWakeUpRxEnabled == TRUE CanNmCarWakeupBytePosition ≥ number of enabled system bytes (CBV, NID)		

SWS Item	ECUC_CanNm_00077 :		
Name	CanNmCarWakeUpFilterEnabled		
Parent Container	CanNmChannelConfig		
Description	If CWU filtering is supported, only the CWU bit within the NM PDU with source node identifier CanNmCarWakeUpFilterNodeld is considered as CWU request. FALSE - CWU filtering is not supported TRUE - CWU filtering is supported		
Multiplicity	0..1		
Type	EcucBooleanParamDef		
Default value	false		
Post-Build Variant Multiplicity	false		
Post-Build Variant Value	false		
Multiplicity Configuration Class	Pre-compile time	X	VARIANT-PRE-COMPILE
	Link time	X	VARIANT-LINK-TIME, VARIANT-POST-BUILD
	Post-build time	--	
Value Configuration Class	Pre-compile time	X	VARIANT-PRE-COMPILE
	Link time	X	VARIANT-LINK-TIME, VARIANT-POST-BUILD
	Post-build time	--	
Scope / Dependency	scope: local dependency: only available if CanNmCarWakeUpRxEnabled == TRUE		

SWS Item	ECUC_CanNm_00078 :		
Name	CanNmCarWakeUpFilterNodeld		
Parent Container	CanNmChannelConfig		
Description	Source node identifier for CWU filtering. If CWU filtering is supported, only the CWU bit within the NM PDU with source node identifier CanNmCarWakeUpFilterNodeld is considered as CWU request.		
Multiplicity	0..1		
Type	EcucIntegerParamDef		
Range	0 .. 255		
Default value	--		
Post-Build Variant Multiplicity	false		
Post-Build Variant Value	false		
Multiplicity Configuration Class	Pre-compile time	X	VARIANT-PRE-COMPILE
	Link time	X	VARIANT-LINK-TIME, VARIANT-POST-BUILD
	Post-build time	--	

Value Configuration Class	Pre-compile time	X	VARIANT-PRE-COMPILE
	Link time	X	VARIANT-LINK-TIME, VARIANT-POST-BUILD
	Post-build time	--	
Scope / Dependency	scope: local dependency: only available if CanNmCarWakeUpFilterEnabled == TRUE		

SWS Item	ECUC_CanNm_00074 :		
Name	CanNmCarWakeUpRxEnabled		
Parent Container	CanNmChannelConfig		
Description	Enables or disables support of CarWakeUp bit evaluation in received NM PDUs. FALSE - CarWakeUp not supported TRUE - CarWakeUp supported		
Multiplicity	1		
Type	EcucBooleanParamDef		
Default value	false		
Post-Build Variant Value	false		
Value Configuration Class	Pre-compile time	X	VARIANT-PRE-COMPILE
	Link time	X	VARIANT-LINK-TIME, VARIANT-POST-BUILD
	Post-build time	--	
Scope / Dependency	scope: ECU		

SWS Item	ECUC_CanNm_00057 :		
Name	CanNmImmediateNmCycleTime		
Parent Container	CanNmChannelConfig		
Description	Defines the immediate NM PDU cycle time in seconds which is used for CanNmImmediateNmTransmissions NM PDU transmissions.		
Multiplicity	0..1		
Type	EcucFloatParamDef		
Range	[0.001 .. 65.535]		
Default value	--		
Post-Build Variant Multiplicity	false		
Post-Build Variant Value	false		
Multiplicity Configuration Class	Pre-compile time	X	VARIANT-PRE-COMPILE
	Link time	X	VARIANT-LINK-TIME, VARIANT-POST-BUILD
	Post-build time	--	
Value Configuration Class	Pre-compile time	X	VARIANT-PRE-COMPILE
	Link time	X	VARIANT-LINK-TIME, VARIANT-POST-BUILD
	Post-build time	--	
Scope / Dependency	scope: local dependency: This parameter is only valid if CanNmImmediateNmTransmissions is greater one.		

SWS Item	ECUC_CanNm_00056 :		
Name	CanNmImmediateNmTransmissions		
Parent Container	CanNmChannelConfig		
Description	Defines the number of immediate NM PDUs which shall be transmitted. If the value is zero no immediate NM PDUs are transmitted. The cycle time of immediate NM PDUs is defined by CanNmImmediateNmCycleTime.		
Multiplicity	1		
Type	EcucIntegerParamDef		

Range	0 .. 255		
Default value	--		
Post-Build Variant Value	false		
Value Configuration Class	Pre-compile time	X	VARIANT-PRE-COMPILE
	Link time	X	VARIANT-LINK-TIME, VARIANT-POST-BUILD
	Post-build time	--	
Scope / Dependency	scope: local dependency: If CanNmImmediateRestartEnabled = true then CanNmImmediateNmTransmissions = 0 If CanNmPnHandleMultipleNetworkRequests == True" then "CanNmImmediateNmTransmissions > 0		

SWS Item	ECUC_CanNm_00029 :		
Name	CanNmMsgCycleOffset		
Parent Container	CanNmChannelConfig		
Description	Time offset in the periodic transmission node. It determines the start delay of the transmission. Specified in seconds.		
Multiplicity	1		
Type	EcucFloatParamDef		
Range	[0 .. 65.535]		
Default value	--		
Post-Build Variant Value	true		
Value Configuration Class	Pre-compile time	X	VARIANT-PRE-COMPILE
	Link time	X	VARIANT-LINK-TIME, VARIANT-POST-BUILD
	Post-build time	--	
Scope / Dependency	scope: local dependency: Parameter value < CanNmMsgCycleTime This parameter is only valid if CanNmPassiveModeEnabled is False.		

SWS Item	ECUC_CanNm_00028 :		
Name	CanNmMsgCycleTime		
Parent Container	CanNmChannelConfig		
Description	Period of a NM PDU in seconds. It determines the periodic rate in the "periodic transmission mode with bus load reduction" and is the basis for transmit scheduling in the "periodic transmission mode without bus load reduction".		
Multiplicity	1		
Type	EcucFloatParamDef		
Range	[0.001 .. 65.535]		
Default value	--		
Post-Build Variant Value	false		
Value Configuration Class	Pre-compile time	X	VARIANT-PRE-COMPILE
	Link time	X	VARIANT-LINK-TIME, VARIANT-POST-BUILD
	Post-build time	--	
Scope / Dependency	scope: ECU dependency: This parameter is only valid if CanNmPassiveModeEnabled is False.		

SWS Item	ECUC_CanNm_00043 :		
Name	CanNmMsgReducedTime		
Parent Container	CanNmChannelConfig		
Description	Node specific bus cycle time in the periodic transmission mode with bus load reduction. Specified in seconds.		
Multiplicity	1		

Type	EcucFloatParamDef		
Range	[0.001 .. 65.535]		
Default value	--		
Post-Build Variant Value	true		
Value Configuration Class	Pre-compile time	X	VARIANT-PRE-COMPILE
	Link time	X	VARIANT-LINK-TIME, VARIANT-POST-BUILD
	Post-build time	--	
Scope / Dependency	scope: local dependency: $0,5 * \text{CanNmMsgCycleTime} \leq \text{CanNmMsgReducedTime} < \text{CanNmMsgCycleTime}$ This parameter is only valid if CanNmBusLoadReductionEnabled == True and CanNmBusLoadReductionActive == True and CanNmPassiveModeEnabled == False Otherwise this parameter is not used.		

SWS Item	ECUC_CanNm_00030 :		
Name	CanNmMsgTimeoutTime		
Parent Container	CanNmChannelConfig		
Description	When using Partial Network and this timeout is defined then CanNm monitors that a NM-PDU is transmitted successfully within this Transmission Timeout Time and provides an error notification otherwise.		
Multiplicity	0..1		
Type	EcucFloatParamDef		
Range	[0.001 .. 65.535]		
Default value	--		
Post-Build Variant Multiplicity	true		
Post-Build Variant Value	true		
Multiplicity Configuration Class	Pre-compile time	X	VARIANT-PRE-COMPILE
	Link time	X	VARIANT-LINK-TIME, VARIANT-POST-BUILD
	Post-build time	--	
Value Configuration Class	Pre-compile time	X	VARIANT-PRE-COMPILE
	Link time	X	VARIANT-LINK-TIME, VARIANT-POST-BUILD
	Post-build time	--	
Scope / Dependency	scope: local dependency: $\text{CanNmMsgTimeoutTime} < \text{CanNmMsgCycleTime}$ This parameter is only valid if CanNmPassiveModeEnabled and CanNmImmediateTxConfEnabled are set to FALSE and CanNmPnEnabled is set to TRUE.		

SWS Item	ECUC_CanNm_00088 :		
Name	CanNmNodeDetectionEnabled		
Parent Container	CanNmChannelConfig		
Description	Precompile time switch to enable the node detection feature.		
Multiplicity	1		
Type	EcucBooleanParamDef		
Default value	--		
Post-Build Variant Value	false		
Value Configuration Class	Pre-compile time	X	VARIANT-PRE-COMPILE
	Link time	X	VARIANT-LINK-TIME, VARIANT-POST-BUILD

			BUILD
	Post-build time	--	
Scope / Dependency	scope: ECU dependency: Only valid if CanNmNodeEnabled is set to TRUE If CanNmPassiveModeEnabled == True then CanNmNodeDetection = False		

SWS Item	ECUC_CanNm_00031 :		
Name	CanNmNodeId		
Parent Container	CanNmChannelConfig		
Description	Node identifier of local node.		
Multiplicity	1		
Type	EcucIntegerParamDef		
Range	0 .. 255		
Default value	--		
Post-Build Variant Value	true		
Value Configuration Class	Pre-compile time	X	VARIANT-PRE-COMPILE
	Link time	X	VARIANT-LINK-TIME
	Post-build time	X	VARIANT-POST-BUILD
Scope / Dependency	scope: local dependency: This parameter is only valid if CanNmNodeEnabled == True		

SWS Item	ECUC_CanNm_00090 :		
Name	CanNmNodeEnabled		
Parent Container	CanNmChannelConfig		
Description	Pre-processor switch for enabling the source node identifier.		
Multiplicity	1		
Type	EcucBooleanParamDef		
Default value	--		
Post-Build Variant Value	false		
Value Configuration Class	Pre-compile time	X	VARIANT-PRE-COMPILE
	Link time	X	VARIANT-LINK-TIME, VARIANT-POST-BUILD
	Post-build time	--	
Scope / Dependency	scope: ECU dependency: calculationFormula = Equal(NmNodeEnabled)		

SWS Item	ECUC_CanNm_00026 :		
Name	CanNmPduCbvPosition		
Parent Container	CanNmChannelConfig		
Description	Defines the position of the control bit vector within the NM PDU. The value of the parameter represents the location of the Control Bit Vector in the NM PDU (CanNmPduByte0 means byte 0, CanNmPduByte1 means byte 1, CanNmPduOff means source node identifier is not part of the NM PDU) ImplementationType: CanNm_PduPositionType		
Multiplicity	1		
Type	EcucEnumerationParamDef		
Range	CANNM_PDU_BYTE_0		Byte 0 is used
	CANNM_PDU_BYTE_1		Byte 1 is used
	CANNM_PDU_OFF		Control Bit Vector is not used
Post-Build Variant Value	false		
Value Configuration	Pre-compile time	X	VARIANT-PRE-COMPILE
	Link time	X	VARIANT-LINK-TIME, VARIANT-

Class			POST-BUILD
	Post-build time	--	
Scope / Dependency	scope: ECU dependency: CanNmPduNidPosition; If CanNmNodeDetectionEnabled == true then CanNmPduCbvPosition != CANNM_PDU_OFF if(CanNmPduCbvPosition != CANNM_PDU_OFF && CanNmPduNidPosition != CANNM_PDU_OFF) then CanNmPduCbvPosition != CanNmPduNidPosition if(CanNmPduCbvPosition != CANNM_PDU_OFF && CanNmPduNidPosition == CANNM_PDU_OFF) then CanNmPduCbvPosition = CANNM_PDU_BYTE0		

SWS Item	ECUC_CanNm_00025 :		
Name	CanNmPduNidPosition		
Parent Container	CanNmChannelConfig		
Description	Defines the position of the source node identifier within the NM PDU. The value of the parameter represents the location of the source node identifier in the NM PDU (CANNM_PDU_BYTE_0 means byte 0, CANNM_PDU_BYTE_1 means byte 1, CANNM_PDU_OFF means source node identifier is not part of the NM PDU) ImplementationType: CanNm_PduPositionType		
Multiplicity	1		
Type	EcucEnumerationParamDef		
Range	CANNM_PDU_BYTE_0		Byte 0 is used
	CANNM_PDU_BYTE_1		Byte 1 is used
	CANNM_PDU_OFF		Node Identification is not used
Post-Build Variant Value	false		
Value Configuration Class	Pre-compile time	X	VARIANT-PRE-COMPILE
	Link time	X	VARIANT-LINK-TIME, VARIANT-POST-BUILD
	Post-build time	--	
Scope / Dependency	scope: ECU dependency: CanNmPduCbvPosition; If CanNmNodeIdEnabled == true then CanNmPduNidPosition != CANNM_PDU_OFF if(CanNmPduNidPosition != CANNM_PDU_OFF && CanNmPduCbvPosition != CANNM_PDU_OFF) then CanNmPduNidPosition != CanNmPduCbvPosition if(CanNmPduNidPosition != CANNM_PDU_OFF && CanNmPduCbvPosition == CANNM_PDU_OFF) then CanNmPduNidPosition = CANNM_PDU_BYTE0		

SWS Item	ECUC_CanNm_00066 :		
Name	CanNmPnEnabled		
Parent Container	CanNmChannelConfig		
Description	Enables or disables support of partial networking. false: Partial networking Range not supported true: Partial networking supported		
Multiplicity	0..1		
Type	EcucBooleanParamDef		
Default value	false		
Post-Build Variant Multiplicity	true		
Post-Build Variant Value	true		
Multiplicity Configuration Class	Pre-compile time	X	VARIANT-PRE-COMPILE
	Link time	X	VARIANT-LINK-TIME
	Post-build time	X	VARIANT-POST-BUILD

Value Configuration Class	Pre-compile time	X	VARIANT-PRE-COMPILE
	Link time	X	VARIANT-LINK-TIME
	Post-build time	X	VARIANT-POST-BUILD
Scope / Dependency	scope: ECU dependency: only valid if CanNmGlobalPnSupport == true		

SWS Item	ECUC_CanNm_00067 :		
Name	CanNmPnEraCalcEnabled		
Parent Container	CanNmChannelConfig		
Description	Specifies if CanNm calculates the PN request information for external requests. (ERA) false: PN request are not calculated true: PN request are calculated		
Multiplicity	0..1		
Type	EcucBooleanParamDef		
Default value	false		
Post-Build Variant Multiplicity	false		
Post-Build Variant Value	false		
Multiplicity Configuration Class	Pre-compile time	X	VARIANT-PRE-COMPILE
	Link time	X	VARIANT-LINK-TIME, VARIANT-POST-BUILD
	Post-build time	--	
Value Configuration Class	Pre-compile time	X	VARIANT-PRE-COMPILE
	Link time	X	VARIANT-LINK-TIME, VARIANT-POST-BUILD
	Post-build time	--	
Scope / Dependency	scope: local dependency: only valid if CanNmGlobalPnSupport == true		

SWS Item	ECUC_CanNm_00073 :		
Name	CanNmPnHandleMultipleNetworkRequests		
Parent Container	CanNmChannelConfig		
Description	Specifies if CanNm performs an additional transition from Network Mode to Repeat Message State (true) or not (false).		
Multiplicity	0..1		
Type	EcucBooleanParamDef		
Default value	false		
Post-Build Variant Multiplicity	false		
Post-Build Variant Value	false		
Multiplicity Configuration Class	Pre-compile time	X	VARIANT-PRE-COMPILE
	Link time	X	VARIANT-LINK-TIME, VARIANT-POST-BUILD
	Post-build time	--	
Value Configuration Class	Pre-compile time	X	VARIANT-PRE-COMPILE
	Link time	X	VARIANT-LINK-TIME, VARIANT-POST-BUILD
	Post-build time	--	
Scope / Dependency	scope: local dependency: only valid if CanNmGlobalPnSupport == true		

SWS Item	ECUC_CanNm_00023 :		
Name	CanNmRemoteSleepIndTime		
Parent Container	CanNmChannelConfig		
Description	Timeout for Remote Sleep Indication.		

	It defines the time in seconds how long it shall take to recognize that all other nodes are ready to sleep.		
Multiplicity	0..1		
Type	EcucFloatParamDef		
Range	[0.001 .. 65.535]		
Default value	--		
Post-Build Variant Value	false		
Value Configuration Class	Pre-compile time	X	VARIANT-PRE-COMPILE
	Link time	X	VARIANT-LINK-TIME, VARIANT-POST-BUILD
	Post-build time	--	
Scope / Dependency	scope: local dependency: CanNmRemoteSleepIndTime ≥ CanNmMsgCycleTime CanNmRemoteSleepIndTime is only required if CanNmRemoteSleepIndEnabled = true		

SWS Item	ECUC_CanNm_00022 :		
Name	CanNmRepeatMessageTime		
Parent Container	CanNmChannelConfig		
Description	Timeout for Repeat Message State. It defines the time in seconds how long the NM shall stay in the Repeat Message State.		
Multiplicity	1		
Type	EcucFloatParamDef		
Range	[0 .. 65.535]		
Default value	--		
Post-Build Variant Value	false		
Value Configuration Class	Pre-compile time	X	VARIANT-PRE-COMPILE
	Link time	X	VARIANT-LINK-TIME, VARIANT-POST-BUILD
	Post-build time	--	
Scope / Dependency	scope: local dependency: CanNmRepeatMessageTime = n * CanNmMsgCycleTime; CanNmRepeatMessageTime > CanNmImmediateNmTransmissions * CanNmImmediateNmCycleTime Typically it should be equal to: n * CanNmMsgCycleTime, where n denotes the number of NM PDUs that are normally sent in the Repeat Message State. The value of n decremented by one determines the amount of lost NM PDUs that can be tolerated by the node detection procedure. The value 0 denotes that no Repeat Message State is configured. It means that Repeat Message State is transient what implicates that it is left immediately after entrance and in result no start-up stability is guaranteed and no node detection procedure is possible.		

SWS Item	ECUC_CanNm_00089 :		
Name	CanNmRepeatMsgIndEnabled		
Parent Container	CanNmChannelConfig		
Description	Enable/disable the notification that a RepeatMessageRequest bit has been received.		
Multiplicity	1		
Type	EcucBooleanParamDef		
Default value	--		
Post-Build Variant Value	false		
Value Configuration Class	Pre-compile time	X	VARIANT-PRE-COMPILE
	Link time	X	VARIANT-LINK-TIME, VARIANT-POST-

			BUILD
	Post-build time	--	
Scope / Dependency	scope: ECU dependency: calculationFormula = If (CanNmPassiveModeEnabled == False) then Equal(NmRepeatMsgIndEnabled) else Equal(False)		

SWS Item	ECUC_CanNm_00092 :		
Name	CanNmStayInPbsEnabled		
Parent Container	CanNmChannelConfig		
Description	If this parameter is disabled Prepare Bus-Sleep Mode is left after CanNmWaitBusSleepTime. If this parameter is enabled Prepare Bus-Sleep Mode can only be left if ECU is powered off or any restart reason applies.		
Multiplicity	1		
Type	EcucBooleanParamDef		
Default value	false		
Post-Build Variant Value	false		
Value Configuration Class	Pre-compile time	X	VARIANT-PRE-COMPILE
	Link time	X	VARIANT-LINK-TIME, VARIANT-POST-BUILD
	Post-build time	--	
Scope / Dependency	scope: local		

SWS Item	ECUC_CanNm_00020 :		
Name	CanNmTimeoutTime		
Parent Container	CanNmChannelConfig		
Description	Network Timeout for NM PDUs. It denotes the time in seconds how long the NM shall stay in the Ready Sleep State before transition into the Prepare Bus-Sleep Mode is initiated.		
Multiplicity	1		
Type	EcucFloatParamDef		
Range	[0.002 .. 65.535]		
Default value	--		
Post-Build Variant Value	false		
Value Configuration Class	Pre-compile time	X	VARIANT-PRE-COMPILE
	Link time	X	VARIANT-LINK-TIME, VARIANT-POST-BUILD
	Post-build time	--	
Scope / Dependency	scope: local dependency: CanNmTimeoutTime > CanNmMsgCycleTime It shall be equal for all nodes in the cluster. It shall be greater than CanNmMsgCycleTime.		

SWS Item	ECUC_CanNm_00021 :		
Name	CanNmWaitBusSleepTime		
Parent Container	CanNmChannelConfig		
Description	Timeout for bus calm down phase. It denotes the time in seconds how long the NM shall stay in the Prepare Bus-Sleep Mode before transition into Bus-Sleep Mode shall take place.		
Multiplicity	0..1		
Type	EcucFloatParamDef		
Range	[0.001 .. 65.535]		
Default value	--		
Post-Build Variant Value	false		
Value Configuration Class	Pre-compile time	X	VARIANT-PRE-COMPILE

	Link time	X	VARIANT-LINK-TIME, VARIANT-POST-BUILD
	Post-build time	--	
Scope / Dependency	scope: local dependency: It shall be equal for all nodes in the cluster. It shall be long enough to make all Tx-buffer empty. In case CanNmStayInPbsEnabled is disabled this parameter shall be mandatory.		

SWS Item	ECUC_CanNm_00018 :		
Name	CanNmComMNetworkHandleRef		
Parent Container	CanNmChannelConfig		
Description	This reference points to the unique channel defined by the ComMChannel and provides access to the unique channel index value in ComMChannelId.		
Multiplicity	1		
Type	Symbolic name reference to [ComMChannel]		
Post-Build Variant Value	false		
Value Configuration Class	Pre-compile time	X	VARIANT-PRE-COMPILE
	Link time	X	VARIANT-LINK-TIME, VARIANT-POST-BUILD
	Post-build time	--	
Scope / Dependency	scope: local		

SWS Item	ECUC_CanNm_00079 :		
Name	CanNmPnEraRxNSduRef		
Parent Container	CanNmChannelConfig		
Description	Reference to a Pdu in the COM-Stack. The SduRef is required for every CanNm Channel, because ERA is reported per channel.		
Multiplicity	0..1		
Type	Reference to [Pdu]		
Post-Build Variant Multiplicity	false		
Post-Build Variant Value	false		
Multiplicity Configuration Class	Pre-compile time	X	VARIANT-PRE-COMPILE
	Link time	X	VARIANT-LINK-TIME, VARIANT-POST-BUILD
	Post-build time	--	
Value Configuration Class	Pre-compile time	X	VARIANT-PRE-COMPILE
	Link time	X	VARIANT-LINK-TIME, VARIANT-POST-BUILD
	Post-build time	--	
Scope / Dependency	scope: local dependency: only valid if CanNmPnEraCalcEnabled == true		

Included Containers		
Container Name	Multiplicity	Scope / Dependency
CanNmRxPdu	1..*	This container is used to configure the Rx PDU properties that are used for the CanNm Channel.
CanNmTxPdu	0..1	This container contains the CanNmTxConfirmationPduId and the CanNmTxPduRef.
CanNmUserDataTxPdu	0..1	This optional container is used to configure the UserNm PDU. This container is only available if CanNmComUserDataSupport is enabled.

10.2.6 CanNmRxPdu

SWS Item	ECUC_CanNm_00038 :		
Container Name	CanNmRxPdu		
Parent Container	CanNmChannelConfig		
Description	This container is used to configure the Rx PDU properties that are used for the CanNm Channel.		
Configuration Parameters			

SWS Item	ECUC_CanNm_00054 :		
Name	CanNmRxPduId		
Parent Container	CanNmRxPdu		
Description	This parameter defines the Rx PDU ID of the CanIf L-PDU range that is associated with this CanNm channel.		
Multiplicity	1		
Type	EcucIntegerParamDef (Symbolic Name generated for this parameter)		
Range	0 .. 65535		
Default value	--		
Post-Build Variant Value	true		
Value Configuration Class	Pre-compile time	X	All Variants
	Link time	--	
	Post-build time	--	
Scope / Dependency	scope: ECU		

SWS Item	ECUC_CanNm_00039 :		
Name	CanNmRxPduRef		
Parent Container	CanNmRxPdu		
Description	Reference to the global PDU that is used by this CanNm channel.		
Multiplicity	1		
Type	Reference to [Pdu]		
Post-Build Variant Value	true		
Value Configuration Class	Pre-compile time	X	VARIANT-PRE-COMPILE
	Link time	X	VARIANT-LINK-TIME
	Post-build time	X	VARIANT-POST-BUILD
Scope / Dependency	scope: local		

No Included Containers

10.2.7 CanNmTxPdu

SWS Item	ECUC_CanNm_00036 :		
Container Name	CanNmTxPdu		
Parent Container	CanNmChannelConfig		
Description	This container contains the CanNmTxConfirmationPduId and the CanNmTxPduRef.		
Configuration Parameters			

SWS Item	ECUC_CanNm_00048 :		
Name	CanNmTxConfirmationPduId		
Parent Container	CanNmTxPdu		
Description	Handle Id to be used by the Lower Layer to confirm the transmission of the CanNmTxPdu to the LowerLayer.		
Multiplicity	1		
Type	EcucIntegerParamDef (Symbolic Name generated for this parameter)		
Range	0 .. 65535		
Default value	--		

Post-Build Variant Value	true		
Value Configuration Class	Pre-compile time	X	All Variants
	Link time	--	
	Post-build time	--	
Scope / Dependency	scope: ECU		

SWS Item	ECUC_CanNm_00037 :		
Name	CanNmTxPduRef		
Parent Container	CanNmTxPdu		
Description	The reference to the common PDU structure.		
Multiplicity	1		
Type	Reference to [Pdu]		
Post-Build Variant Value	true		
Value Configuration Class	Pre-compile time	X	VARIANT-PRE-COMPILE
	Link time	X	VARIANT-LINK-TIME
	Post-build time	X	VARIANT-POST-BUILD
Scope / Dependency	scope: local		

No Included Containers

10.2.8 CanNmUserDataTxPdu

SWS Item	ECUC_CanNm_00045 :		
Container Name	CanNmUserDataTxPdu		
Parent Container	CanNmChannelConfig		
Description	This optional container is used to configure the UserNm PDU. This container is only available if CanNmComUserDataSupport is enabled.		
Configuration Parameters			

SWS Item	ECUC_CanNm_00047 :		
Name	CanNmTxUserDataPduId		
Parent Container	CanNmUserDataTxPdu		
Description	This parameter defines the Handle ID of the NM User Data I-PDU.		
Multiplicity	1		
Type	EcucIntegerParamDef (Symbolic Name generated for this parameter)		
Range	0 .. 65535		
Default value	--		
Post-Build Variant Value	false		
Value Configuration Class	Pre-compile time	X	All Variants
	Link time	--	
	Post-build time	--	
Scope / Dependency	scope: ECU		

SWS Item	ECUC_CanNm_00046 :		
Name	CanNmTxUserDataPduRef		
Parent Container	CanNmUserDataTxPdu		
Description	Reference to the NM User Data I-PDU in the global PDU collection.		
Multiplicity	1		
Type	Reference to [Pdu]		
Post-Build Variant Value	true		
Value Configuration Class	Pre-compile time	X	VARIANT-PRE-COMPILE
	Link time	X	VARIANT-LINK-TIME
	Post-build time	X	VARIANT-POST-BUILD
Scope / Dependency	scope: local		

No Included Containers

10.2.9 CanNmPnInfo

SWS Item	ECUC_CanNm_00071 :		
Container Name	CanNmPnInfo		
Parent Container	CanNmGlobalConfig		
Description	PN information configuration		
Configuration Parameters			

SWS Item	ECUC_CanNm_00061 :		
Name	CanNmPnInfoLength		
Parent Container	CanNmPnInfo		
Description	Specifies the length of the PN request information in the NM PDU.		
Multiplicity	1		
Type	EcuIntegerParamDef		
Range	1 .. 7		
Default value	1		
Post-Build Variant Value	false		
Value Configuration Class	Pre-compile time	X	VARIANT-PRE-COMPILE
	Link time	X	VARIANT-LINK-TIME, VARIANT-POST-BUILD
	Post-build time	--	
Scope / Dependency	scope: local dependency: only valid if CanNmGlobalPnSupport == true		

SWS Item	ECUC_CanNm_00060 :		
Name	CanNmPnInfoOffset		
Parent Container	CanNmPnInfo		
Description	Specifies the offset of the PN request information in the NM PDU.		
Multiplicity	1		
Type	EcuIntegerParamDef		
Range	1 .. 7		
Default value	1		
Post-Build Variant Value	false		
Value Configuration Class	Pre-compile time	X	VARIANT-PRE-COMPILE
	Link time	X	VARIANT-LINK-TIME, VARIANT-POST-BUILD
	Post-build time	--	
Scope / Dependency	scope: local dependency: only valid if CanNmGlobalPnSupport == true		

Included Containers		
Container Name	Multiplicity	Scope / Dependency
CanNmPnFilterMaskByte	0..7	PN information configuration

10.2.10 CanNmPnFilterMaskByte

SWS Item	ECUC_CanNm_00069 :		
Container Name	CanNmPnFilterMaskByte		
Parent Container	CanNmPnInfo		
Description	PN information configuration		
Configuration Parameters			

SWS Item	ECUC_CanNm_00063 :		
-----------------	---------------------------	--	--

Name	CanNmPnFilterMaskByteIndex		
Parent Container	CanNmPnFilterMaskByte		
Description	Index of the filter mask byte. Specifies the position within the filter mask byte array.		
Multiplicity	1		
Type	EcucIntegerParamDef		
Range	0 .. 6		
Default value	--		
Post-Build Variant Value	false		
Value Configuration Class	Pre-compile time	X	VARIANT-PRE-COMPILE
	Link time	X	VARIANT-LINK-TIME, VARIANT-POST-BUILD
	Post-build time	--	
Scope / Dependency	scope: local dependency: only valid if CanNmGlobalPnSupport == true; CanNmPnFilterMaskByteIndex < CanNmPnInfoLength		

SWS Item	ECUC_CanNm_00064 :		
Name	CanNmPnFilterMaskByteValue		
Parent Container	CanNmPnFilterMaskByte		
Description	Parameter to configure the filter mask byte.		
Multiplicity	1		
Type	EcucIntegerParamDef		
Range	0 .. 255		
Default value	0		
Post-Build Variant Value	true		
Value Configuration Class	Pre-compile time	X	VARIANT-PRE-COMPILE
	Link time	X	VARIANT-LINK-TIME
	Post-build time	X	VARIANT-POST-BUILD
Scope / Dependency	scope: local dependency: only valid if CanNmGlobalPnSupport == true		

No Included Containers

10.3 Published parameters

For details refer to the chapter 10.3 “Published Information” in *SWS_BSWGeneral* [9].

11 Examples

11.1 Example of periodic transmission mode with bus load reduction

Three nodes are connected to the bus and are in “normal operation” state. The nodes (Node 1 and Node 2) with the smallest `CanNmMsgReducedTime` are sending alternating their Network Management PDUs. After a while node 1 goes into “ready sleep” state. Now node 2 and node 3 are sending alternating Network Management PDU. After a while also node 2 goes into “ready sleep” state. Since node 3 is the last node on the bus only node 3 is sending messages with `CanNmMsgCycleTime`.

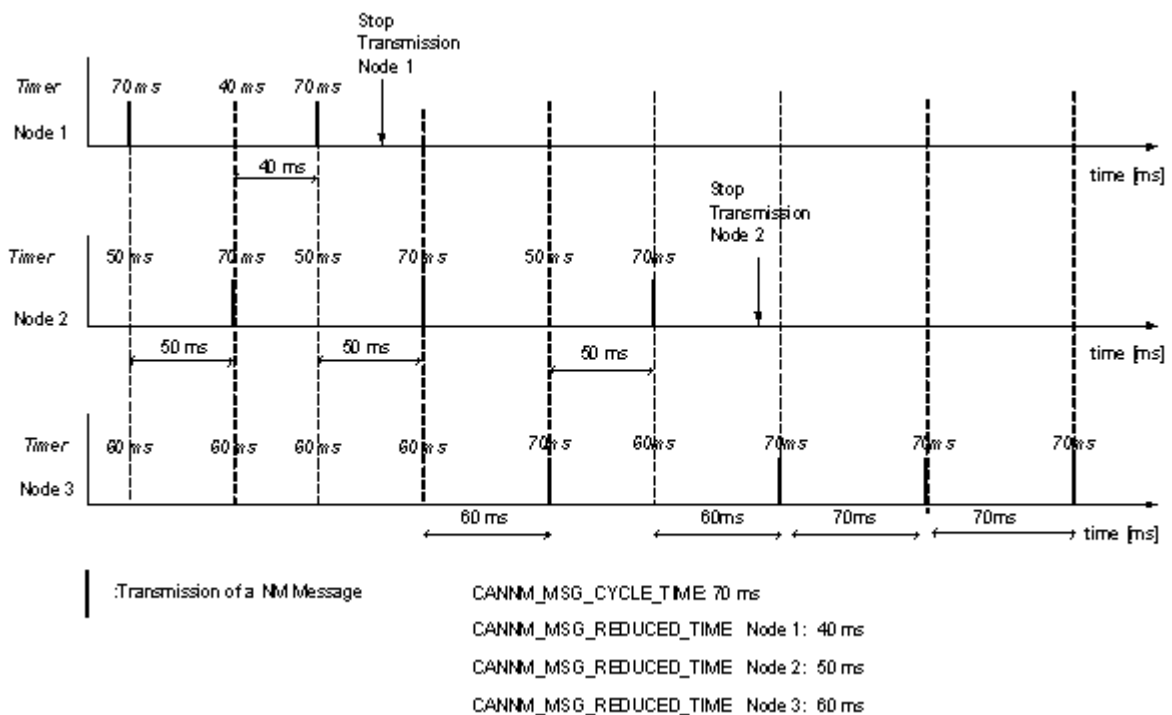


Figure 11-1 Example for Bus Load Reduction

11.2 Example timing behavior for Network Management PDUs

Assume an example network of three nodes 1, 2, 3 (see also Figure 11-2). Nodes specific cycle offsets are equal respectively to $t_1 < t_2 < t_3 < T$. NM cycle time is equal to T (see Figure 11-3).

Network Management PDUs sent on the bus within the Repeat Message State are presented in the Figure 11-4, and within the Normal Operation / Ready Sleep State in Figure 11-5. Each dot in Figure 11-5 denotes restart of the NM-Timeout Timer.

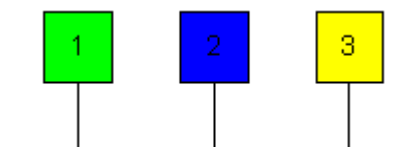


Figure 11-2 Example for 3 ECUs connected to a network

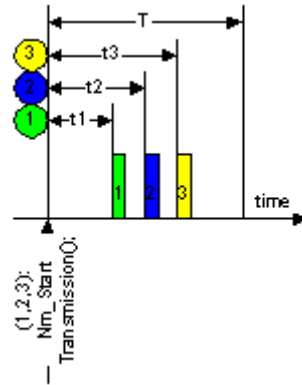


Figure 11-3 Example for NM Transmission Start of different ECUs

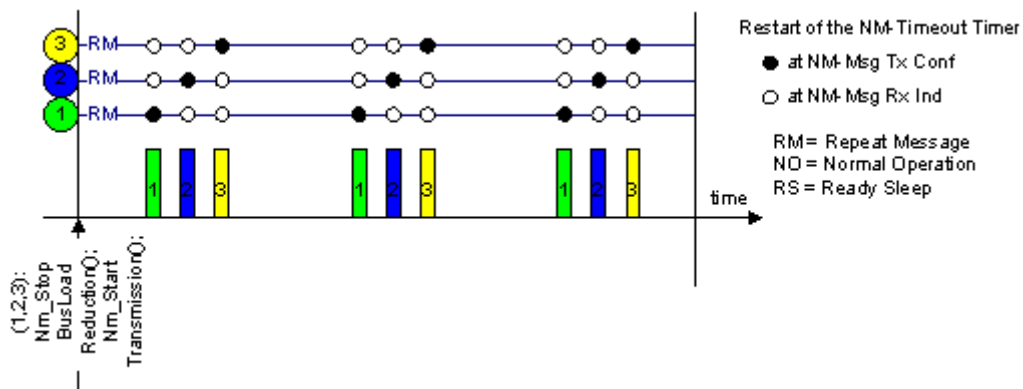


Figure 11-4 Example for NM Transmission Handling of multiple ECUs

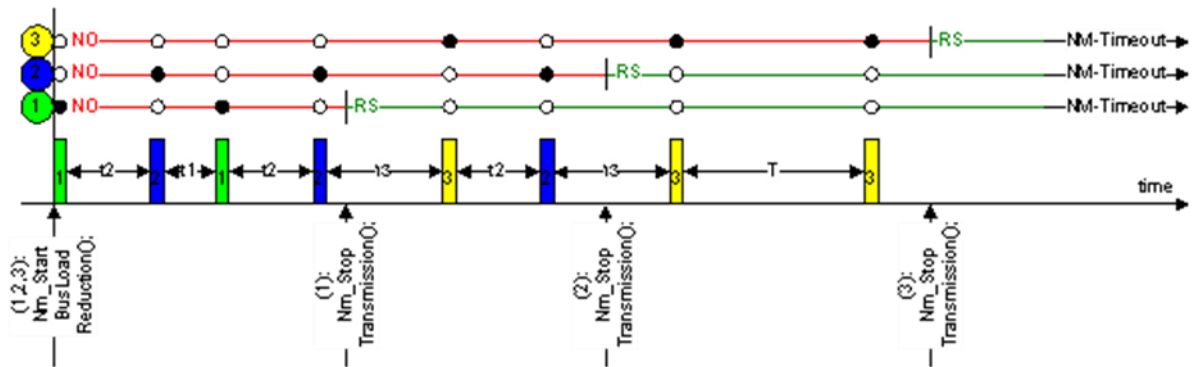


Figure 11-5 Example for NM Timeout Handling

12 Not applicable requirements

[SWS_CanNm_NA_0] [This specification item references requirements that are not applicable, because CanNm has no interdependencies to SW Components.]
(SRS_BSW_00170, SRS_BSW_00168, SRS_BSW_00423)

[SWS_CanNm_NA_1] [This specification item references requirements that are not applicable, because CanNm does not implement any interrupts, is not a driver or MCAL abstraction layer or has any direct access to OS.] (SRS_BSW_00375, SRS_BSW_00424, SRS_BSW_00429, SRS_BSW_00161, SRS_BSW_00162, SRS_BSW_00005, SRS_BSW_00164, SRS_BSW_00325, SRS_BSW_00413, SRS_BSW_00347, SRS_BSW_00314)

[SWS_CanNm_NA_2] [This specification item references requirements that are not applicable, because CanNm does not influence sequence of module initialization.]
(SRS_BSW_00416)

[SWS_CanNm_NA_3] [This specification item references requirements that are not applicable, because BSW module description template is not part of the CanNm SWS.] (SRS_BSW_00425, SRS_BSW_00427)

[SWS_CanNm_NA_4] [This specification item references requirements that are not applicable, because CanNm does not share any data with other BSW.]
(SRS_BSW_00426)

[SWS_CanNm_NA_5] [This specification item references requirements that are not applicable, because CanNm does not propagate data through different layers.]
(SRS_BSW_00432)

[SWS_CanNm_NA_6] [This specification item references requirements that are not applicable, because CanNm does not have any shutdown functionality.]
(SRS_BSW_00336)

[SWS_CanNm_NA_7] [This specification item references requirements that are not applicable, because CanNm does not report any DEM errors] (SRS_BSW_00417)

[SWS_CanNm_NA_8] [This specification item references requirements that are not applicable, because it is no requirement against CanNm SWS or only against ECUC elements.] (SRS_BSW_00160, SRS_BSW_00172, SRS_BSW_00010, SRS_BSW_00341, SRS_BSW_00334, SRS_Nm_00043, SRS_Nm_00044, SRS_Nm_00048, SRS_Nm_00142, SRS_Nm_00143, SRS_Nm_00145, SRS_Nm_00146, SRS_Nm_00147, SRS_Nm_00148, SRS_Nm_00149, SRS_Nm_00150, SRS_Nm_00154, SRS_Nm_02508, SRS_Nm_02514, SRS_Nm_02515, SRS_Nm_02525, SRS_Nm_02526, SRS_Nm_02530, SRS_Nm_02531, SRS_Nm_02532, SRS_Nm_02533, SRS_Nm_02534, SRS_Nm_02535, SRS_Nm_02537)