

Document Title	Explanation of Safety Overview
Document Owner	AUTOSAR
Document Responsibility	AUTOSAR
Document Identification No	895

Document Status	Final
Part of AUTOSAR Standard	Adaptive Platform
Part of Standard Release	18-10

Document Change History			
Date	Release	Changed by	Description
2018-10-31	18-10	AUTOSAR Release Management	<ul style="list-style-type: none"> restructuring of document inspired by ISO 26262 rework chapters 1-5 add functional safety requirements table
2018-03-29	18-03	AUTOSAR Release Management	<ul style="list-style-type: none"> Initial release

Disclaimer

This work (specification and/or software implementation) and the material contained in it, as released by AUTOSAR, is for the purpose of information only. AUTOSAR and the companies that have contributed to it shall not be liable for any use of the work.

The material contained in this work is protected by copyright and other types of intellectual property rights. The commercial exploitation of the material contained in this work requires a license to such intellectual property rights.

This work may be utilized or reproduced without any modification, in any form or by any means, for informational purposes only. For any other purpose, no part of the work may be utilized or reproduced, in any form or by any means, without permission in writing from the publisher.

The work has been developed for automotive applications only. It has neither been developed, nor tested for non-automotive applications.

The word AUTOSAR and the AUTOSAR logo are registered trademarks.

Table of Contents

1	Introduction	10
1.1	Purpose	10
1.2	Scope	10
1.3	Intended audience	13
2	Assumption of Use and Objectives of the AUTOSAR Adaptive Platform	13
2.1	Assumption of Use	13
2.2	Design Objectives	14
2.3	Scenarios	15
2.3.1	Example Scenario: HAD	15
2.3.2	Example Scenario: Instrument Cluster	15
2.4	Top Level Feature Requests or Use Cases	15
3	System Description	16
3.1	Element Under Investigation	16
3.2	Assumed System Context	16
3.2.1	Vehicle Context	16
3.2.2	ECU Context	17
3.2.3	Microprocessor Context	18
3.2.4	Hardware Accelerator	19
3.3	General Hardware and Software Fault Considerations	19
3.3.1	Potential Hardware Faults and Safety Measures	19
3.3.2	Potential Software Faults and Safety Measures	20
3.4	AUTOSAR Adaptive Platform Architecture Overview	21
3.4.1	AUTOSAR Adaptive Platform Features	21
3.4.2	AUTOSAR Adaptive Platform Architecture	22
3.4.3	AUTOSAR Adaptive Platform Functional Cluster	22
4	Hazard Analysis	23
4.1	Introduction	23
4.2	Top Level Hazards and Malfunctions	24
5	Safety Goals	25
5.1	Top Level Safety Requirements	25
5.2	Potential Product Safety Rating or Metrics	25
6	Functional Safety Concept	26
6.1	Derived AUTOSAR Adaptive Platform Functional Safety Requirements	26
6.1.1	Safe Execution	26
6.1.2	Safe Communication	27
6.1.3	Safe Storage	27
6.1.4	Safe Configuration and Update	28
6.2	Functional Safety Requirements	29
6.2.1	Introduction	29

- 6.2.2 List of functional requirements 30
- 6.3 Functional Safety Artifacts 35
 - 6.3.1 AP-SG-01 35
 - 6.3.2 AP-SG-02 35
 - 6.3.3 AP-SG-03 35
 - 6.3.4 AP-SG-04 35
- A Abbreviations 36
- B Glossary 38

Bibliography

- [1] ISO 26262 (all parts) – Road vehicles – Functional Safety
<http://www.iso.org>
- [2] Utilization of Crypto Services
AUTOSAR_EXP_UtilizationOfCryptoServices
- [3] Glossary
AUTOSAR_TR_Glossary
- [4] Virtual Functional Bus
AUTOSAR_EXP_VFB
- [5] Layered Software Architecture
AUTOSAR_EXP_LayeredSoftwareArchitecture
- [6] AUTOSAR Introduction
https://www.autosar.org/fileadmin/ABOUT/AUTOSAR_Introduction.pdf
- [7] Explanation of Adaptive Platform Design
AUTOSAR_EXP_PlatformDesign
- [8] Specification of Operating System Interface
AUTOSAR_SWS_OperatingSystemInterface
- [9] Specification of Execution Management
AUTOSAR_SWS_ExecutionManagement
- [10] Design guidelines for using parallel processing technologies on Adaptive Platform
AUTOSAR_EXP_ParallelProcessingGuidelines
- [11] Mapping mixed-criticality applications on multi-core architectures
<https://doi.org/10.7873/DATE.2014.111>
- [12] IEEE Standard for Information Technology- Standardized Application Environment Profile (AEP)-POSIX Realtime and Embedded Application Support
<https://standards.ieee.org/findstds/standard/1003.13-2003.html>
- [13] API standards for Open Systems
<http://www.opengroup.org/austin/papers/wp-apis.txt>
- [14] Functional Cluster Shortnames
AUTOSAR_TR_FunctionalClusterShortnames
- [15] Specification of Platform Types
AUTOSAR_SWS_PlatformTypes
- [16] Explanation of ara::com API
AUTOSAR_EXP_ARAComAPI
- [17] Specification of Persistency
AUTOSAR_SWS_Persistency

- [18] Specification of Identity and Access Management
AUTOSAR_SWS_IdentityAndAccessManagement
- [19] Specification of RESTful communication
AUTOSAR_SWS_REST
- [20] Specification of Crypto Interface
AUTOSAR_SWS_CryptoInterface
- [21] Specification of ECU State Manager
AUTOSAR_SWS_ECUSTateManager
- [22] Specification of Diagnostic Communication Manager
AUTOSAR_SWS_DiagnosticCommunicationManager
- [23] Specification of Network Management Interface
AUTOSAR_SWS_NetworkManagementInterface
- [24] Specification of Update and Configuration Management
AUTOSAR_SWS_UpdateAndConfigManagement
- [25] Key words for use in RFCs to Indicate Requirement Levels
<http://www.ietf.org/rfc/rfc2119.txt>
- [26] Wikipedia, The Free Encyclopedia
<https://en.wikipedia.org/>

Known Limitations

This explanatory document may contain assumptions, exemplary items, like reference models, use-cases, scenarios, and/or references to exemplary technical solutions, devices, processes or software. Any such assumptions or exemplary items contained in this document are for illustration purposes only. These assumptions are not part of the AUTOSAR standard. Neither their presence in such specifications, nor any later documentation of AUTOSAR conformance products actually implementing such exemplary items, imply that intellectual property rights covering such items or assumptions are licensed under the same rules as applicable to the AUTOSAR standard.

The chapter [6](#)

- Functional safety concept and initial functional safety requirements

is still in development and open for discussion and should not be considered mature or final.

The chapters

- Technical safety concept and technical safety requirements
- Validation of safety requirements, safety analysis and exemplary use-cases

are scheduled for later releases.

No ASIL Ratings

The AUTOSAR consortium, especially the AUTOSAR Adaptive Platform Feature-Teams are only providing an architecture definition, descriptions of the functional blocks and a *proof of concept* implementation, it is not possible to add ASIL ratings to each architectural item in this scope. It is only possible to give the reader some hints on how to combine the architectural items to achieve a safe architecture in his own very specific context: considering the underlying hardware, the products safety goals and metrics as well as the development processes.

SEooC according to ISO26262 part 10

If the AUTOSAR Adaptive Platform architecture definition itself can be considered being a SEooC according to ISO 26262 part 10 is still unresolved and not verified yet. According to the definition of an item, element or architecture from the ISO 26262 part 1, an architecture - in this case the software architecture - is a representation of the structure of the *item* or *element* and an *element* could be a *system*, a *software component* or a *software unit*, which eventually might also be an SEooC. Either way, following the ISO 26262 part 10 SEooC definition as a guideline for this document to create reusable content and similarities to a proper "Safety Manual" could be considered as a common starting point. Still, the AUTOSAR Adaptive Platform architecture will eventually be

the basis for an software component, which could be considered as an *element* and SEooC according to ISO 26262 part 10. The goal of the AUTOSAR Adaptive Platform architecture is to enable and support systems up to ASIL D.

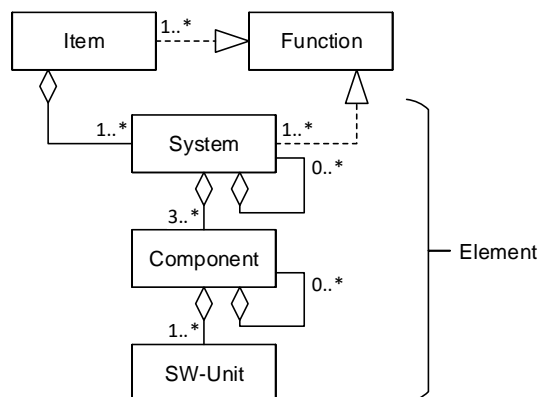


Figure 1: Relationship of item, system, component, hardware part and software unit, Figure 3 - ISO 26262-10 [1]

Cybersecurity

For autonomous driving cybersecurity, is expected to have a greater impact than in the past. Not only that communication channels and communication partners need to be authenticated and verified, they also need to be safe. The security concept and capabilities of the AUTOSAR Adaptive Platform can be found in the explanatory documentation [2]. This explanatory document, the AUTOSAR_EXP_SafetyOverview, safety topics only. It is the responsibility to the corresponding project-team, to decide if their specific safety goals can be fulfilled with state-of-the art cybersecurity measures. Some security related safety features could be:

- Secure boot
- Authentication of communication partners within the vehicle network as well as with the off-board world
- Secure key exchange
- Secure key storage
- ...

The security specific algorithms like encryption, decryption and signing are not directly considered safety related, they still need to be developed and integrated in compliance to ISO 26262 and with respect to cybersecurity guidelines and standards e.g. ISO 21434.

Completeness

This document might not cover all possible scenarios in which the AUTOSAR Adaptive Platform could be used. The safety related requirements are derived from some specific use cases and to the best knowledge of all the members of the AUTOSAR Adaptive Platform Feature-Teams, contributors and reviewers.

1 Introduction

1.1 Purpose

Functional safety is a system characteristic which is taken into account from the beginning of the development of the AUTOSAR Adaptive Platform as it may influence system and software architectural design decisions. Therefore, the AUTOSAR Adaptive Platform specifications include requirements related to functional safety. Aspects such as complexity of the system design can be relevant for the achievement of functional safety in the automotive industry.

Software is one parameter that can influence complexity on system level. New techniques and concepts for software development can be used in order to minimize complexity and ease the achievement of functional safety. The AUTOSAR Adaptive Platform supports the development of safety-related systems by offering safety measures and mechanisms.

However, the AUTOSAR Adaptive Platform is not a complete safe solution. The objective of this safety overview is to derive safety requirements from the top level safety goals and assumed use-cases or scenarios and allocate them to the architectural elements of the item, or to any external measure. The use of the AUTOSAR Adaptive Platform does not imply ISO 26262-10 compliance. It is still possible to build unsafe systems using the AUTOSAR Adaptive Platform safety measures and mechanisms. The architecture of the AUTOSAR Adaptive Platform can, in the best case, only be considered to be an SEooC.

Information about the AUTOSAR Adaptive Platform functional safety mechanisms and measures is currently distributed throughout the referenced documentation. Unless one knows how functional safety mechanisms are supported and where the necessary information is specifically located, it is difficult to evaluate how a safety-relevant system can be implemented using AUTOSAR efficiently. This explanatory document summarizes the key points related to functional safety in AUTOSAR and explains how the functional safety mechanisms and measures can be used.

1.2 Scope

This document shall be explanatory and help the functional safety engineer to identify functional safety related topics within the AUTOSAR Adaptive Platform. The content of this document is structured into separate chapters as follows:

- AUTOSAR Adaptive Platform objectives, use-cases and scenarios
- System definition, system context and assumptions
- Hazard analysis
- Safety Goals

- Functional safety concept and functional safety requirements

which could be mapped to the following chapters within the ISO 26262, figure 2:

- [3-5] Item definition
- [3-6] Hazard analysis and risk assessment
- [3-7] Functional safety concept

as visualized in figure 3. Safety requirements are hierarchically structured and assigned or referenced from hazard to safety goal to functional requirement and artifact, according to ISO 21434, as illustrated in figure 4. The development process and organizational topics are not part of this overview, a risk assessment is not done (see chapter [Known Limitations](#)) every system description, scenario or use-case in this document are just explanatory and *for reference only*. The system design is out of scope!

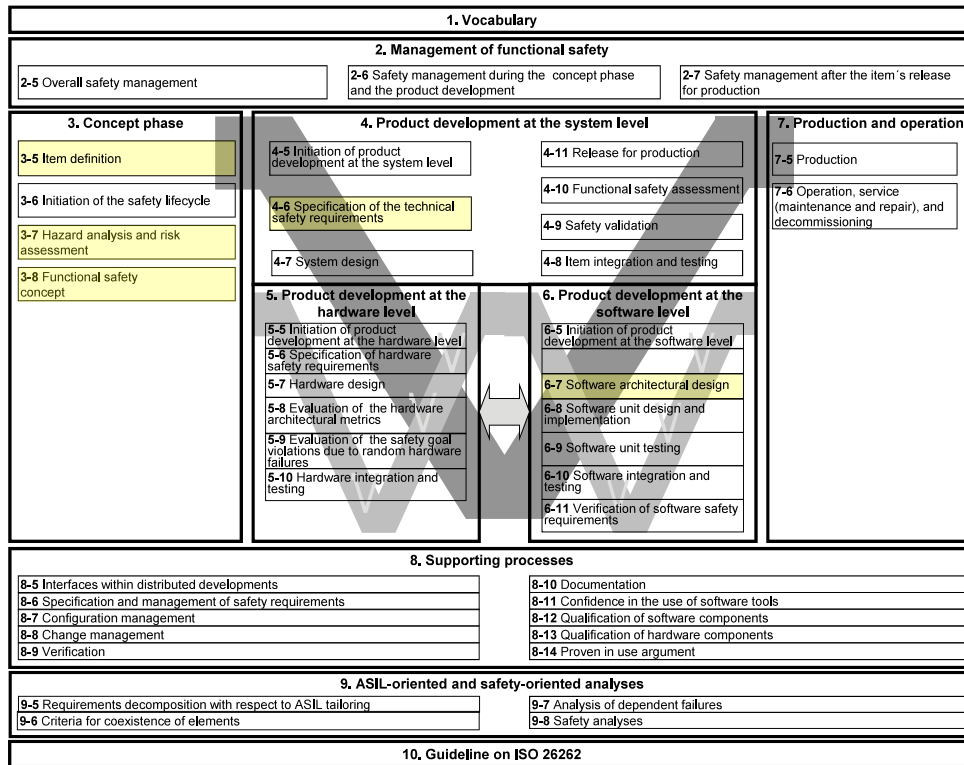


Figure 2: Considered chapters of ISO 26262, Overview of the ISO 26262 series of standards, Figure 1 - ISO 26262-1 [1]

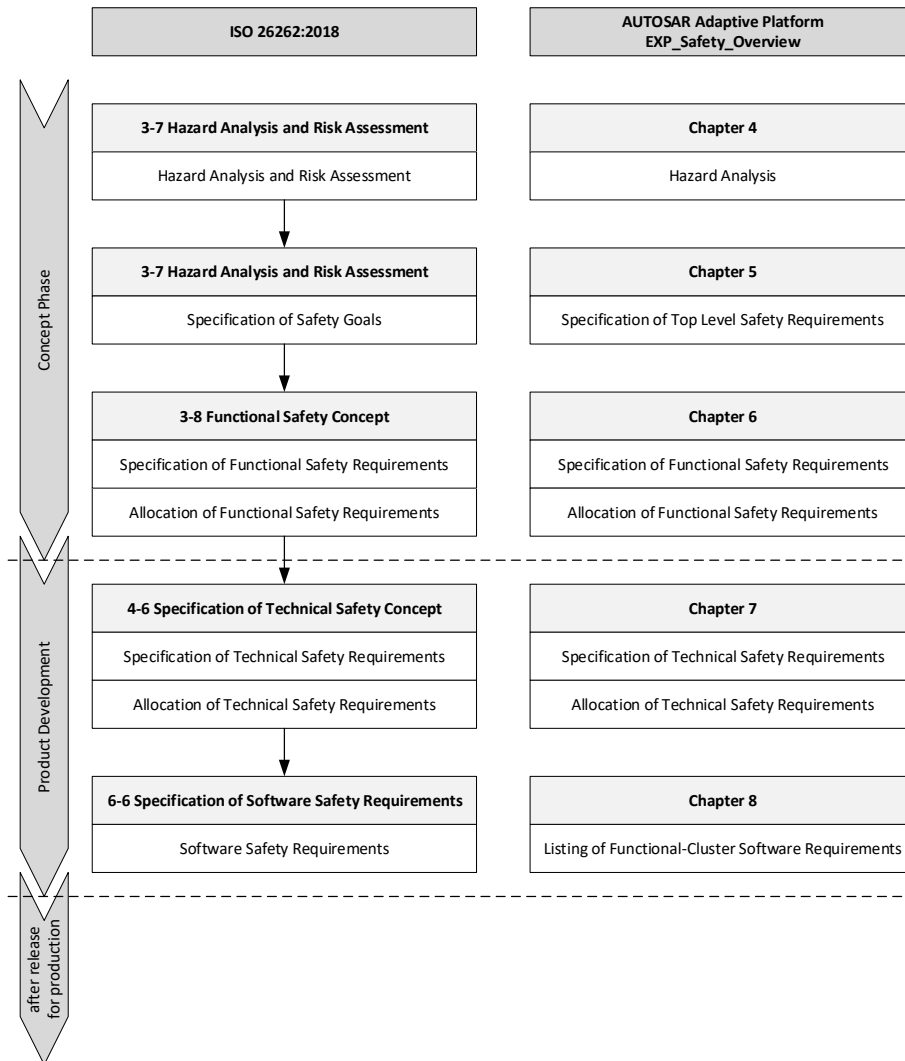


Figure 3: Structure of safety requirements and mapping to this Document, based on ISO 26262 [1]

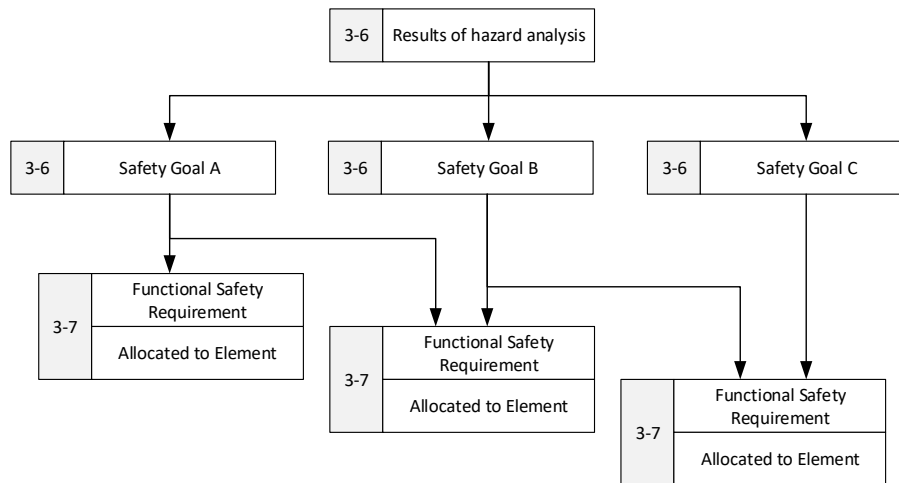


Figure 4: Hierarchy of safety goals and functional safety requirements

1.3 Intended audience

This document shall provide an overview of the functional safety measures and mechanisms of the AUTOSAR Adaptive Platform and their implementation to those involved in the development of safety-relevant (ECU) systems. Therefore, this document is intended for the users of the AUTOSAR Adaptive Platform, including people involved in safety analysis. AUTOSAR specific and functional safety related glossary terms are covered by the AUTOSAR Glossary [3] or the ISO 26262 [1] itself, and are not copied if no additional information or interpretation hint related to this document is necessary.

2 Assumption of Use and Objectives of the AUTOSAR Adaptive Platform

2.1 Assumption of Use

Assumptions of use for the AUTOSAR Adaptive Platform are in particular, but not limited to, automotive grade electronic control units from the following domains:

- Autonomous Driving: from driver assistance to fully automated driving, including the ecosystem of AD, ADAS and or Sensor-ECUs where applicable,
- Gateways,
- Body-Domain Controller,
- Infotainment-systems, etc.

To solve the requirements for more processing power, e.g. for sensor-data processing (images, radar), multi-sensor data-fusion or machine-learning as well as enhanced multimedia capabilities like 2D/3D graphics acceleration, video and audio processing, the AUTOSAR Adaptive Platform shall support high performance computation units and accelerators, often realized through specialized and proprietary hardware components and software interfaces.

2.2 Design Objectives

The overall design objectives of the AUTOSAR Adaptive Platform are similar to those of the well known and established AUTOSAR Classic Platform, and therefore describes layers of abstraction, interfaces and some common behavior of an automotive software for an electronic control unit. The AUTOSAR Adaptive Platform is still providing an abstraction layer for the software developers e.g. AUTOSAR Runtime for Adaptive Applications (ARA), so that AUTOSAR Adaptive Platform applications could be exchanged between ECUs or being ported easily. From a systematic viewpoint this is similar to the AUTOSAR Classic Platform BSW and VFB layer - as described in AUTOSAR Classic Platform architecture documentation [4] [5], and shown in the comparison view in figure 5.

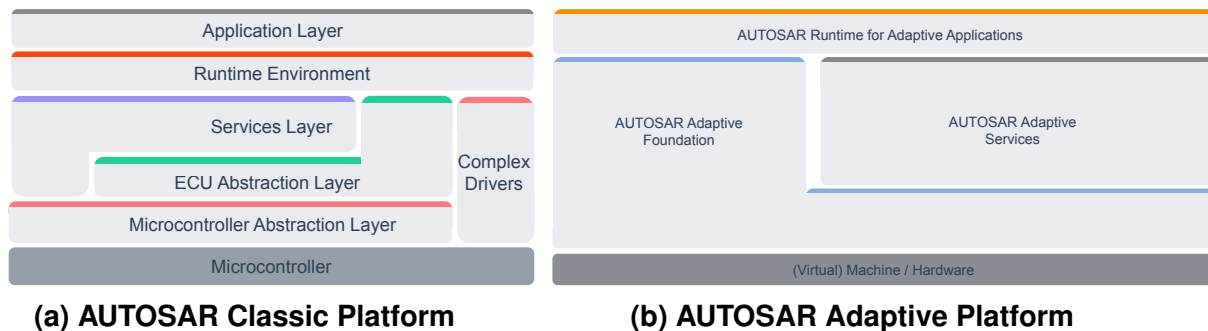


Figure 5: AUTOSAR layered architectures [6]

The second major objective is to allow dynamic software upgrades and more flexible development and deployment of applications and services within the vehicle in the field.

The third - and for the functional safety engineer most important - objective is the capability to execute applications with mixed criticality, from QM to ASIL D within one partition while maintaining freedom from interference. If the system contains several partitions, which may not even be ISO 26262 compliant at all (or QM at max), like infotainment-systems, freedom from interference is still required but **not** within the scope of the AUTOSAR Adaptive Platform architecture and standards.

For more details regarding the objectives of AUTOSAR especially the AUTOSAR Adaptive Platform please have a look into the AUTOSAR Introduction presentation [6] and the explanatory AUTOSAR Adaptive Platform Design document [7].

2.3 Scenarios

2.3.1 Example Scenario: HAD

The Highly Autonomous Driving (HAD) scenario has been chosen to investigate the safety capabilities of the AUTOSAR Adaptive Platform. This scenario does not only cover the requirement for high performance computing and dynamic software updates but also the corresponding highest safety case: ASIL D according to ISO 26262 [1]. The system design on vehicle level is assumed to contain several sensors, being directly connected to sensors or Sensor-ECUs (e.g. radar, lidar, vision, INS, GNSS). The vehicle is expected to have at least one ADAS-ECU for the autonomous driving functionality where AUTOSAR Adaptive Platform could be integrated, not only on that ADAS-ECU, but also on the Sensor-ECUs or any other before mentioned domain controller.

2.3.2 Example Scenario: Instrument Cluster

Another example which is not as safety critical as HAD, but can be rated with an ASIL, is an instrument cluster. While the instrument cluster is not as safety critical as HAD, it is also not as trivial as an infotainment system.

Let's consider the use case where the speedometer gives a wrong speed and the driver drives well above the speed limit, risking himself as well as the rest of the traffic. Another critical scenario may occur when a failure indication is not turned on e.g. brake failure, airbag failure or an engine failure.

As the state of the art in the automotive industry advances, the instrument cluster would require high performance. Integrating instrument cluster on AUTOSAR Adaptive Platform would naturally make sense to cater the high performance requirements. In turn, AUTOSAR Adaptive Platform should ensure functional safety requirements.

2.4 Top Level Feature Requests or Use Cases

Based on the initial stakeholder analysis and AUTOSAR consortium premium partner requirements the following feature requests according to the intended use and scope of the AUTOSAR Adaptive Platform have been identified:

AP-FEAT-01	Provide flexible execution time and resources for multiple, mixed criticality applications.
AP-FEAT-02	Provide dynamically configurable, updateable and upgradable runtime for multiple, mixed criticality applications.
AP-FEAT-03	Provide information exchange between multiple, mixed criticality applications.
AP-FEAT-04	Provide information exchange between mixed criticality application and other external components such as sensors, actors or ECUs inside the vehicle.
AP-FEAT-05	Provide information exchange between mixed criticality application and other external components outside the vehicle.

AP-FEAT-06 Maintain correct configuration and monitor correct operation during the driving cycle

Table 2.1: Top Level Safety Feature Requests

3 System Description

3.1 Element Under Investigation

The Element under investigation in this explanatory document is the AUTOSAR Adaptive Platform architecture running in a system-context roughly described in chapter 3. The AUTOSAR Adaptive Platform architecture will eventually be the basis for an software component, which could be considered as an *element* and SEooC according to ISO 26262-1 and ISO 26262-10.

The AUTOSAR Adaptive Platform is intended to be solution independent, except for the fact that it is developed for the automotive industry and according to objectives described in chapter 2. Still, the platform it will be executed on needs to be investigated too, in order to derive some hazards and safety requirements. Some of which will eventually be satisfied by software features as described and defined in the AUTOSAR Adaptive Platform architecture, others by the OEM or their suppliers respectively. Modern ECUs contain highly modular embedded software, which can consist of both non-safety-related and safety-related software components, which perform functions with different ASIL ratings. According to ISO26262, if the embedded software consists of software components with different ASIL ratings, then either the entire software must be developed according to the highest ASIL and freedom from interference shall be ensured for software components with a higher ASIL rating from elements with an lower or equal ASIL rating, even or especially of decomposed from the functionality of an higher ASIL, e.g. 2×ASIL B(D).

3.2 Assumed System Context

The following system-context descriptions are just educated guesses and assumptions, necessary for derivation and explanation of the safety requirements.

3.2.1 Vehicle Context

At the time of the initial definition of the AUTOSAR Adaptive Platform high performance processing units developed as SEooC are not always reaching the safety rating of ASIL D by itself, therefore several simple systematic designs have been considered to be able to reach ASIL B or ASIL D by proper decomposition. The AUTOSAR Adaptive Platform architecture can only support the actual system or hardware developer to achieve the specific safety targets.

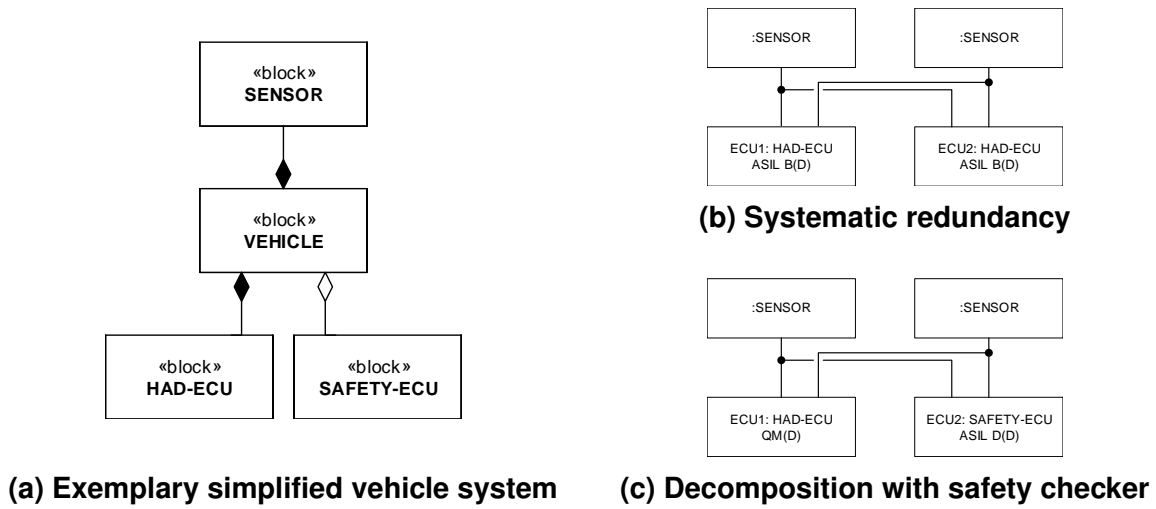


Figure 6: Systematic approaches on vehicle level

The vehicle system design is **not** part of the AUTOSAR Adaptive Platform specification, still either option (6b and 6c) could be a valid system setup. It is up to the final product developer and safety engineer to choose a proper system design and decomposition strategy to achieve the specific safety goals and fulfill the specific safety requirements.

3.2.2 ECU Context

In a typical safety compliant ECU it can be assumed that, besides a microprocessor (uP or SoC) dynamic and persistent memory, it will be equipped with a Power Management Integrated Circuit (PMIC), Watchdog and some on-board-sensors or drivers as well as several input output channels, e.g. digital, analog or for communication via a vehicle bus like Ethernet, CAN or FlexRay.

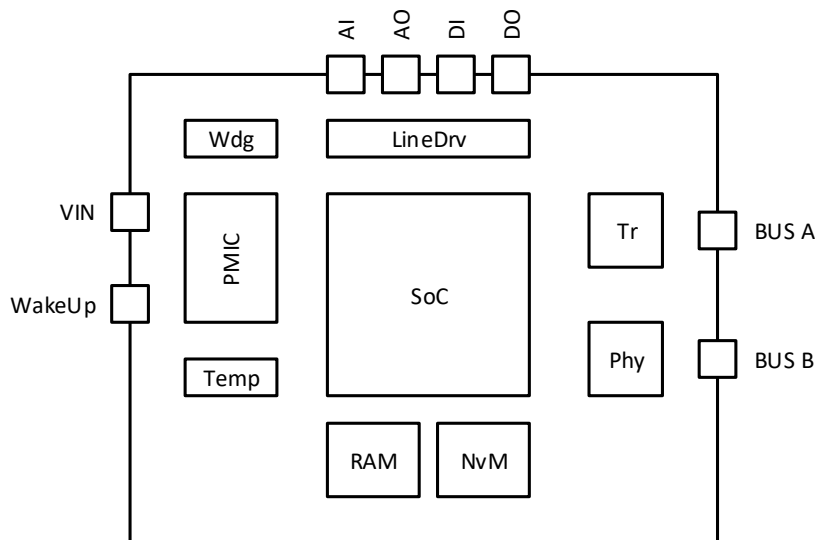


Figure 7: Exemplary draft of a simple ECU design

Some simple on-board safety measures are:

- Regulated and controlled power management
- Power monitoring (voltage and current)
- Temperature monitoring
- Alive monitoring (Watchdog)
- Input/output control

If the controller or the running software is not trustworthy anymore, e.g. if voltage levels are not stable or the watchdog has triggered, the line driver and the transceivers might be disabled, to achieve the `Fail-Silent` behavior without software interaction.

3.2.3 Microprocessor Context

A Microprocessor or SoC design could look like the one shown in figure 8

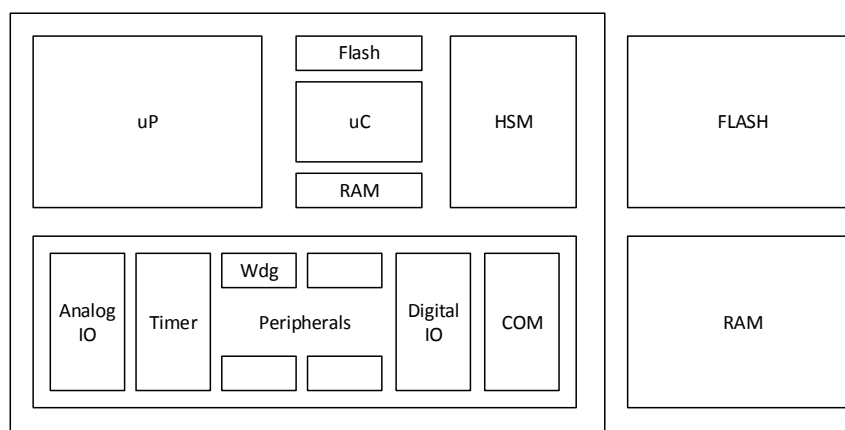


Figure 8: Exemplary draft of a simple MCU design

A typical microprocessor suited for the AUTOSAR Adaptive Platform might contain several performance processing cores (uP) a Hardware Security Module (HSM) and in some cases also a peripheral micro-controller core (uC). The HSM and uC could be typical general purpose controller and be user-programmable or equipped with a firmware from the vendor. The main target for the AUTOSAR Adaptive Platform is the performance processor. The peripherals may or may not be accessible through the uP, peripheral access is not standardized in the AUTOSAR Adaptive Platform at the same level as it is in the AUTOSAR Classic Platform. The only hardware requirements from the AUTOSAR Adaptive Platform are indirectly defined through the OS, which shall provide multi-process support for isolation of applications and therefore requires a Memory Management Unit (MMU) according to [8, 9]. If the ECU shall communicate with other ECUs, support for Ethernet is intended with the SOME/IP protocol. External Flash and RAM is not directly required, but common practice in actual hardware designs (as of 2018).

3.2.4 Hardware Accelerator

Hardware accelerators and parallel processing is respected within the AUTOSAR Adaptive Platform architecture. For more Information regarding this topic please read the "Design guidelines for using parallel processing technologies on Adaptive Platform [10]". The software development process and the required software mechanisms for a hardware accelerator are basically the same as for the typical Microprocessor. There shall be mechanisms to check if software routines are scheduled correctly, the computations are correct and the control flow shall be monitor able.

3.3 General Hardware and Software Fault Considerations

The hardware is not part of the AUTOSAR Adaptive Platform architecture, it is still necessary to respect the hardware to define the source of higher safety requirements eventually. This section to be considered as general a priori knowledge and collects and describe typical hardware and software faults along with the safety measures which might directly affect the Adaptive Platform. Most likely, not all hardware and software faults will be described here and not all effects will be analyzed sufficiently enough. Therefore, it is mandatory to perform a full safety evaluation for each safety-critical application built on top of the AUTOSAR Adaptive Platform according to the relevant industry standards.

3.3.1 Potential Hardware Faults and Safety Measures

Incorrect execution of multiple applications with mixed criticality may be due to systematic faults (e.g. bugs in processor design) or random hardware faults. Natural phenomena, such as ionized radiation (e.g. high energy particle impacts), electromagnetic compliance, vibrations, aging effects or external environmental conditions, can lead to such malfunctions. Integrating applications with different criticalities on a single platform can be very tricky. Partitioning mechanisms on hardware level can be applied in order to isolate these applications [11]. Hardware partitioning based on safety criticality of AUTOSAR Adaptive Platform applications, ensures a lesser impact of single points of failure compared to software or logical partitioning as errors in one hardware partition do not have effect on other partitions. However, hardware partitioning techniques may compromise performance when two applications on different hardware partition need to communicate.

We may categorize hardware faults into three different classes; transient, intermittent and permanent. Transient fault may occur once and is not reproducible (e.g. Single Event Upset). An intermittent fault on the other hand occurs every now and then, but usually at irregular intervals (e.g. A fault occurring due to environmental conditions such as temperature or humidity). As the name suggests, a permanent fault is reproducible every time and will persist unless the faulty component is not replaced (e.g. Single Event Latch-up).

Following is a list of typical measures that can be taken in order to detect/avoid the above mentioned hardware faults:

- Cyclic Configuration Test
- Cyclic Hardware Part Test (using known test vectors)
- Shutdown Path Test ("Can the safe state be reached?")
- Memory Walk-Through Tests (e.g. test for writeability)
- Clock Monitoring, Power Monitoring, Timing Monitoring (timing predictions may be very inaccurate in high-performance microprocessors due to the inherent complexity of such systems)
- Plausibility Checks (but only applicable if checks are significantly easier to calculate than the functions to be monitored)
- External Watchdog
- End-to-End Protection
- Hardware Lockstep CPU Cores (although this may not always be present in high-performance microprocessors)
- ECC Memory (Error detection for data and address links)
- Redundant Execution (2oo2, 2oo2D, 2oo3)
- Proper Hardware Design (the choices in high-performance microprocessors may be very limited due to the complexity of hardware architecture and may result in common cause failures)
- Proper Communication Bus
- Proper Shielding
- Proper Electromagnetic Compatibility (EMC)

3.3.2 Potential Software Faults and Safety Measures

Hardware faults may impact software directly or indirectly. Examples of direct impact may include an arithmetic miscalculation (although the control flow of a program may be correct) or a wrong control flow may cause a jump in address which could result in undefined behavior, infinite loop or premature end of execution. Examples of indirect impact may include; affecting other CPU Cores (overload on OS, caches, memory, peripherals or cross-core interrupt flooding or an intense heating of one core may cause shutdown), memory corruption via software and misconfiguration of OS, platform services or peripherals (corruption of OS scheduling table or unintended execution of 'Disable Interrupts' instruction or misconfiguration of real-time clock).

Following is a list of typical measures that can be taken in order to detect/avoid the above mentioned software faults:

- Redundant Execution (2oo2, 2oo2D, 2oo3)
- Program Flow Control ("Does the software pass-by known points in the right order?")
- Checksums
- Arbitration
- Collision Detection
- Signatures
- Software Lockstep
- Parallel Execution
- Safety Checker

One of the robust safety measures would be to detect and prevent failure propagation via software in an AUTOSAR Adaptive Platform. Failure propagation can be detected by software monitors performing plausibility checks. With dual modular redundancy (DMR) a failure can be detected. Moreover, with a triple modular redundancy (TMR) in place and a voting mechanism, a failure can even be corrected. Thus, redundant execution is helpful in detecting if not correcting a failure propagation. Enforcement of security policies can help detect access violations e.g. a user process accesses a resource it has no access rights to.

In order to avoid failure propagation, access rights need to be restricted. The privileges should be reduced in user-mode. If a user process executes privileged operations, the OS should run plausibility checks before granting this. However, OS and drivers may be running in privileged mode and become a common cause of failure. Platform configurations (such as BIOS settings and special registers) should be read-only at runtime and read-write only before booting the OS. Only a reasonable bandwidth should be allocated for CPU computational power, memory and peripherals at runtime to avoid affecting the whole system due to a faulty module/component. Another measure to prevent failure propagation is to enforce mutual exclusion, through hardware or OS, for specific resources e.g flash, peripherals etc.

3.4 AUTOSAR Adaptive Platform Architecture Overview

3.4.1 AUTOSAR Adaptive Platform Features

The HAD scenario and the resulting HAD-applications require the following capabilities from the underlining AUTOSAR Adaptive Platform Foundation Libraries and Services as shown in figure [5b](#) (besides the specialized HAD applications of course):

- Safe and secure boot
- Execution of applications
- Scheduling of applications
- Application state management: start, stop, halt, etc.
- Runtime behavior monitoring: processing time, bus load, memory consumption, etc.
- Access to application data
- Persistent data storage
- Configuration of ECU and application data
- Update of deployed applications
- Deployment of new applications
- System monitoring
- Send and receive messages through vehicle networks: e.g CAN, CAN-FD, FlexRay, Ethernet

This feature list is not only related to the mentioned HAD scenario and could be applied to other domain specific ECUs too and comes so far without any further deep application and safety analysis on these topics.

3.4.2 AUTOSAR Adaptive Platform Architecture

The layered architecture of the AUTOSAR Adaptive Platform is shown in figure 9 and can be divided into three main parts as described in figure 5b

1. AUTOSAR Adaptive Platform Foundation Libraries
2. AUTOSAR Adaptive Platform Services
3. User Applications (Adaptive Applications and Non-Platform Services)

The operating system (OS) itself is not directly part of the architecture, but the AUTOSAR Adaptive Platform has several requirements regarding the OS [9], like being an POSIX PSE51 compliant OS [12][13].

3.4.3 AUTOSAR Adaptive Platform Functional Cluster

The AUTOSAR Adaptive Platform functional cluster [14] of the **Foundation Library** are

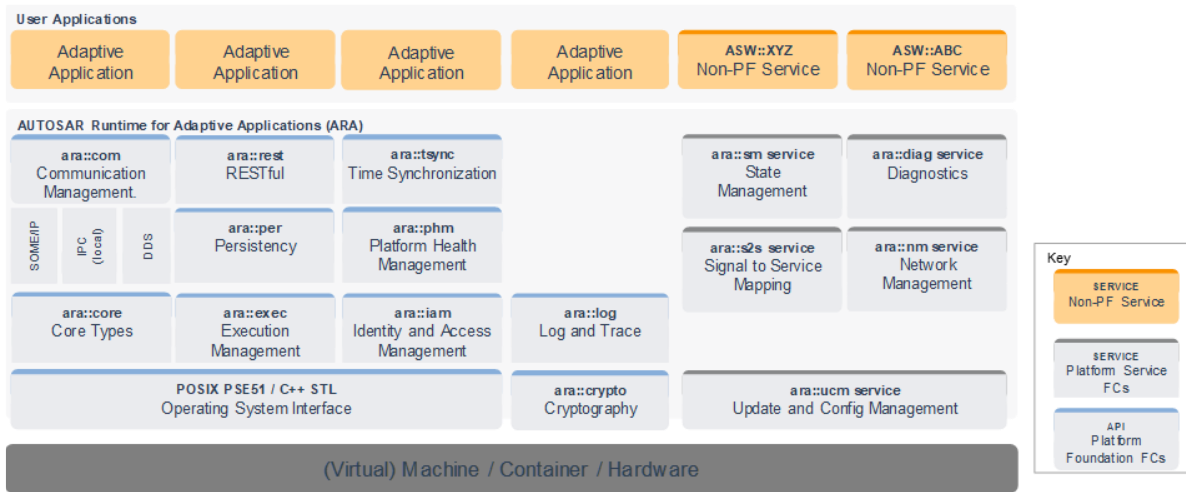


Figure 9: AUTOSAR Adaptive Platform functional blocks

<code>ara::core</code>	Core Types (core) [15]
<code>ara::exec</code>	Execution Management (em) [9]
<code>ara::com</code>	Communication Management (com) [16]
<code>ara::per</code>	Persistency (per) [17]
<code>ara::phm</code>	Platform Health Management (phm) [?,]
<code>ara::iam</code>	Identity and Access Management (iam) [18]
<code>ara::rest</code>	RESTful communication (rest) [19]
<code>ara::tsync</code>	Time Synchronization (tsync) [?,]
<code>ara::log</code>	Log and Trace (log) [?,]
<code>ara::crypto</code>	Cryptography (crypto) [20]

The functional cluster of the **Foundation Services** are

<code>ara::sm</code>	State Management (sm) [21]
<code>ara::diag</code>	Diagnostics (diag) [22]
<code>ara::s2s</code>	Signal to Service mapping (s2s)
<code>ara::nm</code>	Network Management (nm) [23]
<code>ara::ucm</code>	Update and Configuration Management (ucm) [24]

The detailed description for the AUTOSAR Adaptive Platform functional clusters can be found in the respective specialized documents. A summary is also part of the "Explanation of Adaptive Platform Design [7]"

4 Hazard Analysis

4.1 Introduction

Any failure, hazard or malfunction which violates the safety goals is considered to be dangerous.
Most common hazards or malfunctions are

- Hardware errors in CPUs, RAM, Flash or Bus of the MCU and their peripherals
- Any systematic and safety-relevant error in the software (also of lower ASIL or QM if violating the freedom from interference)
- Electromagnetic interference on the communication lines
- Hardware errors in communication hardware components
- Software errors in communication drivers which cause corruption, delay, loss, repetition, re-sequencing, insertion, or masquerading of messages (taken from ISO 26262-6 table D2.4).

Based on the initial hardware software fault considerations from chapter 3.3, the above mentioned failure sources and the safety goals, as well as the ISO 26262, which provides examples for faults which cause interference between software components, faults can be grouped as follows:

- Memory,
- Timing,
- Execution,
- Exchange of information,
- Authentication of applications and services,
- Rights management.

4.2 Top Level Hazards and Malfunctions

The top level hazards for the AUTOSAR Adaptive Platform considered to be

AP-HA-01	Unintended, untimely and/or incorrect execution of applications
AP-HA-02	Unintended, untimely and/or incorrect configuration, update and upgrade of applications
AP-HA-03	Unintended, untimely and/or incorrect exchange of information between applications
AP-HA-04	Unintended, untimely and/or incorrect exchange of information between applications and external components inside the vehicle
AP-HA-05	Unintended, untimely and/or incorrect exchange of information between applications and external components outside the vehicle
AP-HA-06	Corruption of configuration

Table 4.1: Top Level Hazards and Malfunctions

5 Safety Goals

5.1 Top Level Safety Requirements

The AUTOSAR Adaptive Platform is only a part of "larger" item definition, as explained in the chapters before, the architecture will eventually be the basis of a real software component, which might correspond to the element definition of an SEooC [1].

AP-SG-01	Ensure correct computation, execution and execution order of multiple applications with mixed criticality
AP-SG-02	Ensure correct configuration maintenance during the entire driving cycle
AP-SG-03	Ensure correct update and upgrade of multiple platform and non-platform applications with mixed criticality.
AP-SG-04	Ensure correct exchange (transmission and reception) of information

Table 5.1: Top Level Safety Requirements

All Top Level Safety Requirements shall be achievable up to ASIL D. ASIL D Fail-operational 5.1 qualities shall be achievable, even if one of the Top Level Safety Goals is violated wherever applicable.

5.2 Potential Product Safety Rating or Metrics

Feature	Malfunction	Safety Requirement	Dimension of required Safety			
			Availability	Reliability	Maintainability	Integrity ⁽¹⁾
AP-FEAT-01	AP-HA-01	AP-SG-01	Fail Operational	Fail Operational Fail Degradation	Not in scope	Not in scope
AP-FEAT-06	AP-HA-06	AP-SG-02	Fail Operational	Fail Operational Fail Degradation	Not in scope	Not in scope
AP-FEAT-02	AP-HA-02	AP-SG-03	Fail Operational	Fail Operational Fail Degradation	Not in scope	Not in scope
AP-FEAT-04	AP-HA-04	AP-SG-04	Fail Operational	Fail Operational Fail Degradation	Not in scope	Not in scope
AP-FEAT-03	AP-HA-03	AP-SG-04	Fail Operational	Fail Operational Fail Degradation	Not in scope	Not in scope
AP-FEAT-05	AP-HA-05	AP-SG-04	Fail Operational	Fail Operational Fail Degradation	Not in scope	Not in scope

Table 5.2: Hazards and derived safety requirements

⁽¹⁾AUTOSAR is not responsible for the safety integrity of the host application

6 Functional Safety Concept

6.1 Derived AUTOSAR Adaptive Platform Functional Safety Requirements

From the architectural safety goals (5.1) and potential hazards (4.2) from the previous chapters 4 and 5 and respecting the general Hardware and Software Fault Considerations (3.3) the following functional requirements can be derived by walking through the typical lifecycle of an ECU and simple categories: *safe execution*, *safe communication*, *safe storage* and *safe configuration and update*.

6.1.1 Safe Execution

Starting with the initialization procedure:

- Safe initialization needs to be taken into consideration [FSR_0001]
- Check integrity of applications and services [FSR_0002]
- Validation of application prerequisites [FSR_0003]
- Validation of application dependencies [FSR_0003]

Information: The safe boot itself, is according to the Layered Architecture, below the AUTOSAR Adaptive Platform Layer and therefore not part of the AUTOSAR Adaptive Platform architectural design and the scope of this safety related investigation. The vigilant safety engineer shall still be aware that the integrity needs to be verified before starting the corresponding partition.

Depending on the architectural decision of the final product and its environment, the safety impact of the aforementioned tasks is difficult to rate. Considering dynamic deployment possibilities of AUTOSAR Adaptive Applications, these safety functions might be necessary to be executed during initialization in order maintain safety in environments supporting dynamic configurations of mixed criticality applications deployed on the same partition. If only pre-verified configurations are allowed to be uploaded to the system in a safe way, only integrity checks are required during startup to ensure that the applications have not been altered.

If all these start-up checks have been passed the following runtime capabilities needs to be provided:

- Safe resource management to achieve freedom from interference [FSR_0008]
- Dependable scheduling for applications and services [FSR_0028]
- Safe program execution [FSR_0030]
- Defined program execution time [FSR_0031]

- Separation of applications and services [[FSR_0008](#)]
- Protection of applications and services [[FSR_0008](#)]
- Safe shutdown of application and services [[FSR_0005](#)]
- Safe transition of states in an application/service life cycle [[FSR_0006](#)]

Information: If the underlying hardware has the same ASIL rating as the software, then safe computation seems to be expected and it only needs to be investigated if the ASIL level of the hardware is lower than required by the function. Several AUTOSAR Adaptive Platform mechanisms can be combined to achieve these goal, e.g. repeated or redundant execution in combination with some sort of self-test libraries and control-flow monitoring. The AUTOSAR Adaptive Platform might not directly support this feature with a specific interface or description, but if this is known from the start, the customer specific implementation could respect this behavior in an easy fashion, in some cases maybe even transparent to the application.

6.1.2 Safe Communication

During the runtime it could be expected that applications and services need to communicate with each other, not only on the same partition, but also through different partition, different controller, ECU borders and even with the off-board world. And additionally, dynamic deployment requires authentication of communication partners and therefore:

- Provide an interface for an application or service to allow safe communication [[FSR_0014](#)]
- Information about communication partners shall be available in the system [[FSR_0003](#)]

If dependencies are not met, that application is not fully operational, and based on the overall safety strategies, the full ECU is eventually not considered to be fully operational.

6.1.3 Safe Storage

It is also expected that applications and services require to load and store data persistently in a non-volatile memory unit, hence:

- Prevent unexpected alteration of data [[FSR_0037](#)]
- Detect unexpected alteration of data [[FSR_0002](#)]
- Prevent delay of data or storage access [[FSR_0008](#)]

The AUTOSAR Adaptive Platform is hereby just providing an interface to the applications and services. The hardware specific mechanisms are part of the platform specific

implementation, e.g. if the NvM is an eMMC NAND Flash with wear-leveling, an EEPROM, NAND-, NOR-flash or FRAM, etc.

6.1.4 Safe Configuration and Update

The possibility for an external tester to modify the NvM without interacting with the application itself is just one part of safe configuration and update. The goal of the AUTOSAR Adaptive Platform is to provide means that applications can be deployed in the field and not only in workshops or during production. To prevent a wrong application from being deployed in the first place, the following tasks are necessary to maintain correct configuration:

- Verify if an application is allowed to be deployed on the vehicle [[FSR_0003](#)]
- Verify if an application is allowed to be deployed on the ECU [[FSR_0003](#)]
- Verify if an application is allowed to be deployed on the dedicated resource [[FSR_0003](#)]

Part of this verification is indeed to check if the local and global dependencies are met, the ASIL rating of the machine/partition has the proper classification etc. Finally all the checks to ensure safe initialization and execution needs to be run before deployment, otherwise after the initialization, the system might end up in a failure mode. If the application is just optional, the impact might not be big because the application might just not get scheduled. If the application is an update, then:

- Mitigate or prevent unintended or incorrect alteration of a valid configuration [[FSR_0002](#)]
- Mitigate or prevent loss of a valid configuration [[FSR_0027](#)]

The dynamic deployment feature has a big impact on every foundation module or service helping to fulfill the above mentioned, roughly described, safety requirements. Every foundation application or service needs either the possibility to get the configuration data from the manifests, and interpret this dynamically during initialization, activation of the new application or the vendor needs to update the machine configuration as an attachment to the updated application and impacted applications and services from the foundation. This is considered to be a customer specific behavior, and therefore implementation specific. This depends on how open the integration platform might be designed and if the vendor wants to and can keep track of each configuration of each car in the field.

6.2 Functional Safety Requirements

6.2.1 Introduction

The key words "MUST", "MUST NOT", "REQUIRED", "SHALL", "SHALL NOT", "SHOULD", "SHOULD NOT", "RECOMMENDED", "MAY", and "OPTIONAL" in this document are to be interpreted as follows, based on [25].

Note that the requirement level of the document in which they are used modifies the force of these words.

- **MUST:** This word, or the adjective "LEGALLY REQUIRED", means that the definition is an absolute requirement of the specification due to legal issues.
- **MUST NOT:** This phrase, or the phrase "MUST NOT", means that the definition is an absolute prohibition of the specification due to legal issues.
- **SHALL:** This phrase, or the adjective "REQUIRED", means that the definition is an absolute requirement of the specification.
- **SHALL NOT:** This phrase means that the definition is an absolute prohibition of the specification.
- **SHOULD:** This word, or the adjective "RECOMMENDED", means that there may exist valid reasons in particular circumstances to ignore a particular item, but the full implications must be understood and carefully weighed before choosing a different course.
- **SHOULD NOT:** This phrase, or the phrase "NOT RECOMMENDED", means that there may exist valid reasons in particular circumstances when the particular behavior is acceptable or even useful, but the full implications should be understood and the case carefully weighed before implementing any behavior described with this label.
- **MAY:** This word, or the adjective "OPTIONAL", means that an item is truly optional. One vendor may choose to include the item because a particular marketplace requires it or because the vendor feels that it enhances the product while another vendor may omit the same item.

An implementation, which does not include a particular option, SHALL be prepared to interoperate with another implementation, which does include the option, though perhaps with reduced functionality. In the same vein an implementation, which does include a particular option, SHALL be prepared to interoperate with another implementation, which does not include the option (except, of course, for the feature the option provides.)

6.2.2 List of functional requirements

[FSR_0001] The AUTOSAR Adaptive Platform shall provide safe initialization of hardware and software components [

Type:	draft
Description:	The AUTOSAR Adaptive Platform shall provide safe initialization of hardware and software components
Rationale:	Safe initialization of the underlying hardware and the AUTOSAR Adaptive Platform functional cluster and services and the application software is required to ensure intended functionality.
Use Case:	AP-FEAT-02
AppliesTo:	AP
Dependencies:	EM, UCM, PHM
Supporting Material:	–

] ([AP-SG-01](#), [AP-SG-02](#))

[FSR_0002] The AUTOSAR Adaptive Platform shall provide safe verification mechanisms of platform functional-clusters, applications, services and their respective configuration data [

Type:	draft
Description:	The AUTOSAR Adaptive Platform shall provide safe verification mechanisms of platform functional-clusters, applications, services and their respective configuration data
Rationale:	Due to the random hardware failures in the memory unit the data integrity is required to be verified to ensure no loss of data has occurred over time during operation, stand-by or powered off and has not been tampered with. Note: Not with respect to cybersecurity.
Use Case:	AP-FEAT-02 , AP-FEAT-06
AppliesTo:	AP
Dependencies:	EM, UCM, PHM
Supporting Material:	–

] ([AP-SG-02](#), [AP-SG-03](#))

[FSR_0003] The AUTOSAR Adaptive Platform shall check prerequisites and dependencies of AUTOSAR Adaptive Platform functional-clusters, applications and services [

Type:	draft
Description:	The AUTOSAR Adaptive Platform shall check prerequisites and dependencies of AUTOSAR Adaptive Platform functional-clustersm applications and services
Rationale:	To Ensure intended functionality and verification of the configuration of functional-clusters, applications and services the prerequisites and dependencies, which among others are e.g. VIN, (v)ECU ID, version information, needs to be checked within the system
Use Case:	AP-FEAT-02 , AP-FEAT-06
AppliesTo:	AP
Dependencies:	EM, UCM, PHM
Supporting Material:	–

]([AP-SG-02](#), [AP-SG-03](#))

[FSR_0005] The AUTOSAR Adaptive Platform shall provide safe shutdown and termination of application and services [

Type:	draft
Description:	The AUTOSAR Adaptive Platform shall provide safe shutdown and termination of application and services
Rationale:	Before termination of applications and services and/or shut-down of the AUTOSAR Adaptive integration or the whole ECU, the dependent applications have to be terminated properly in the right order to prevent conflicts or failures or unexpected behavior. Ensure safe degradation, fault evacuation and fault containment.
Use Case:	AP-FEAT-01 , AP-FEAT-06
AppliesTo:	AP
Dependencies:	EM, SM, PHM
Supporting Material:	–

]([AP-SG-01](#), [AP-SG-03](#))

[FSR_0006] The AUTOSAR Adaptive Platform shall provide safe transition of states in an application/service life cycle [

Type:	draft
Description:	The AUTOSAR Adaptive Platform shall provide safe transition of states in an application/service life cycle
Rationale:	AUTOSAR Adaptive Platform is responsible for managing and monitoring the internal states of the application
Use Case:	AP-FEAT-01 , AP-FEAT-06
AppliesTo:	AP





Dependencies:	EM, SM, PHM
Supporting Material:	–

](AP-SG-01)

[FSR_0008] The AUTOSAR Adaptive Platform shall provide safe resource management for the AUTOSAR Adaptive Platform functional-clusters, applications and services [

Type:	draft
Description:	The AUTOSAR Adaptive Platform shall provide safe resource management for the AUTOSAR Adaptive Platform functional-clusters, applications and services
Rationale:	The functional clusters, applications and services of the AUTOSAR Adaptive Platform shall be ensured with adequate resources and availability to that resource in the expected time with sufficient freedom from interference. No unexpected or unhandled exception shall prevent access or delay access to a required and properly managed and authorized resource. Resources are - among other - CPU, runtime, memory consumption, net bandwidth, peripherals (like ADC, DAC, Timer) . . .
Use Case:	AP-FEAT-01
AppliesTo:	AP
Dependencies:	EM, UCM, PHM
Supporting Material:	–

](AP-SG-01, AP-SG-02, AP-SG-04)

[FSR_0014] The AUTOSAR Adaptive Platform shall provide an interface for an application or service to allow safe communication [

Type:	draft
Description:	The AUTOSAR Adaptive Platform shall provide an interface for an application or service to allow safe communication
Rationale:	AUTOSAR Adaptive Platform shall provide a safe interface for exchange of information and managing access rights
Use Case:	AP-FEAT-03 , AP-FEAT-04 , AP-FEAT-05
AppliesTo:	AP
Dependencies:	COM, S2S, E2E, PHM
Supporting Material:	–

](AP-SG-04)

[FSR_0027] The AUTOSAR Adaptive Platform shall Prevent loss of a valid configuration [

Type:	draft
Description:	The AUTOSAR Adaptive Platform shall prevent loss of a valid configuration
Rationale:	AUTOSAR Adaptive Platform should provide mechanisms to switch back to the latest working configuration
Use Case:	AP-FEAT-02 , AP-FEAT-06
AppliesTo:	AP
Dependencies:	UCM
Supporting Material:	–

]([AP-SG-02](#))

[FSR_0028] The AUTOSAR Adaptive Platform shall provide dependable scheduling of AUTOSAR Adaptive Platform functional-clusters, applications and services [

Type:	draft
Description:	The AUTOSAR Adaptive Platform shall provide dependable scheduling of AUTOSAR Adaptive Platform functional-clusters, applications and services
Rationale:	Dependable scheduling is required to ensure the proper time-allocation for all the available functional-clusters, applications and services
Use Case:	AP-FEAT-01
AppliesTo:	AP
Dependencies:	EM, OS, PHM
Supporting Material:	–

]([AP-SG-01](#), [AP-SG-02](#))

[FSR_0030] The AUTOSAR Adaptive Platform shall provide safe program execution. [

Type:	draft
Description:	The AUTOSAR Adaptive Platform shall provide safe program execution
Rationale:	Support of logical and temporal flow monitoring and detect if the program flow control is violated. The AUTOSAR Adaptive Platform shall offer support to detect and ensure that the program flow monitoring mechanisms are working properly for the functional-cluster and services as well as for the user-applications and user-services.
Use Case:	AP-FEAT-01
AppliesTo:	AP
Dependencies:	EM, SM, OS, WDG, PHM
Supporting Material:	–

]([AP-SG-01](#))

[FSR_0031] The AUTOSAR Adaptive Platform shall detect the program execution time violation [

Type:	draft
Description:	The AUTOSAR Adaptive Platform shall detect the program execution time violation
Rationale:	All the timing constraints of the functional-clusters, applications and services needs to be supervised and monitored. Timing factors needs to be defined properly, e.g. expected program execution time, critical time-killing tasks, context switching time, etc.
Use Case:	AP-FEAT-01 , AP-FEAT-06
AppliesTo:	AP
Dependencies:	EM, SM, OS, PHM, WDG
Supporting Material:	–

] ([AP-SG-01](#))

[FSR_0037] The AUTOSAR Adaptive Platform shall prevent unexpected alteration of data [

Type:	draft
Description:	The AUTOSAR Adaptive Platform shall prevent unexpected alteration of data
Rationale:	Due to the random hardware failures in the memory unit the data integrity is required to be verified to ensure no alteration to data has occurred over time during operation, stand-by or powered off and has not been tampered with. To achieve freedom from interference, the access to data needs to be managed and protected. Note: Not with respect to cybersecurity
Use Case:	AP-FEAT-06
AppliesTo:	AP
Dependencies:	COM, S2S, E2E, PHM, IAM
Supporting Material:	–

] ([AP-SG-02](#), [AP-SG-03](#), [AP-SG-04](#))

6.3 Functional Safety Artifacts

Based on the Hazard Analysis, the Safety Goals and the Functional Safety Requirements the following artifact of the AUTOSAR Adaptive Platform have been identified:

6.3.1 AP-SG-01

Ensure correct computation, execution and execution order of multiple applications with mixed criticality

EM, PHM, SM

6.3.2 AP-SG-02

Ensure correct configuration, maintenance during entire driving cycle

EM, PHM UCM, PER

6.3.3 AP-SG-03

Ensure correct update and upgrade of multiple platform and non-platform applications with mixed criticality

UCM, PHM, COM[E2E], IAM, PER

6.3.4 AP-SG-04

Ensure correct exchange (transmission and reception) of information

COM, PHM

A Abbreviations

Abbreviation	Description
1oo2	one out of two
2oo2	two out of two
2oo3	two out of three
AP	AUTOSAR Adaptive Platform
AD	Automated Driving
ADS	Automated Driving Systems
ADAS	Advanced Driver Assistance System
ARA	AUTOSAR Runtime for Adaptive Applications
ASIL	Automotive Safety Integrity Level
BSW	Basic Software (CP)
CAN	Controller Area Network
CAN-FD	Controller Area Network with Flexible Data-Rate
CCA	Common Cause Failure Analysis
CM	Communication (AP functional cluster)
CP	AUTOSAR Classic Platform
DFA	Dependent Failure Analysis
DIN	Deutsches Institut für Normung
DMR	Dual Modular Redundancy
FO	AUTOSAR Foundation
FSM	Functional Safety Management
FSM Review	Functional Safety Milestone Review
E2E	End-to-End
ECC	Error Correction Code
ECU	Electronic Control Unit
W EEPROM	Electrically Erasable Programmable Read-Only Memory
EM	Execution Management (AP functional cluster)
FIT	Failures In Time
FTTI	Fault Tolerant Time Interval
FSC	Function Safety Concept
FSR	Functional Safety Requirement
HA	Hazard
HAD	Highly Automated Driving
HSM	Hardware Security Module
HW	Hardware
IAM	Identity and Access Management (AP functional cluster)
IC	Integrated Circuit
IDef	Item Definition
ISO	International Standardization Organization
MAL	Malfunction
MM	Methods and Methodology (AP)
MMU	Memory Management Unit
MTBF	Meant Time Between Failure

Continued on next page

MTTF	Mean Time To Failure
NvM	Non-volatile Memory
OS	Operating System
pdf	Probability density function
PER	Persistency (AP functional cluster)
PHM	Platform Health Management (AP functional cluster)
PMIC	Power Management Integrated Circuit
QM	Quality Management
RAM	Random-Access Memory
REST	Representational State Transfer
ROM	Read-Only Memory
SG	Safety Goal
SoC	System on a Chip
SOME/IP	Service Oriented Middleware Over Ethernet / Internet Protocol
SOP	Start of Production
SRS	Safety Requirement Specification + Design Description
STL	Self-Test Library
SW	Software
TMR	Triple Modular Redundancy
TPM	Trusted Platform Module
TSC	Technical Safety Concept
TSR	Technical Safety Requirement
uC	Microcontroller (μC)
uP	Microprocessor (μP) or Application-Processor
UCM	Update and Configuration Management (AP functional cluster)
vECU	virtual ECU
VFB	Virtual Functional Bus (AUTOSAR Classic Platform)
VM	Virtual Machine
VMM	Virtual Machine Monitor
Wdg	Watchdog

Table A.1: List of Abbreviations

B Glossary

All technical terms used throughout this document - except the ones listed here - can be found in the official AUTOSAR Glossary [3] or ISO 26262 [1].

Accident An unfortunate incident that happens unexpectedly and unintentionally, typically resulting in a loss of some kind, such as injury, death or equipment damage

ASIL capability Capability of an item or an element to meet assumed safety requirements assigned with a given ASIL

Checksum A value used to verify the integrity of a data stored or transmitted

Context Switching Time The time consumed by the CPU in switching from one process or thread to another

Cybersecurity A set of techniques used to protect the integrity of networks, programs and data from attack, damage or unauthorized access. → *Security*

Data Integrity Data integrity is the maintenance of, and the assurance of the accuracy and consistency of, data over its entire life-cycle and is a critical aspect to the design, implementation and usage of any system which stores, processes, or retrieves data.[26]

Memory Management Unit Hardware element that handles virtual memory, memory translation and caching operations

Mixed criticality A system or partition contains, schedules and executes software components like AUTOSAR Adaptive Applications according to different ASIL Levels at the same time

Virtual ECU A virtual ECU is a logical, almost independent, integration package of an AUTOSAR Adaptive Platform which could be deployed in a well partitioned system, e.g. a virtual machine on top of a hypervisor

List of Figures

1	Relationship of item, system, component, hardware part and software unit, Figure 3 - ISO 26262-10 [1]	8
2	Considered chapters of ISO 26262, Overview of the ISO 26262 series of standards, Figure 1 - ISO 26262-1 [1]	11
3	Structure of safety requirements and mapping to this Document, based on ISO 26262 [1]	12
4	Hierarchy of safety goals and functional safety requirements	13
5	AUTOSAR layered architectures [6]	14
6	Systematic approaches on vehicle level	17
7	Exemplary draft of a simple ECU design	17
8	Exemplary draft of a simple MCU design	18
9	AUTOSAR Adaptive Platform functional blocks	23

List of Tables

2.1	Top Level Safety Feature Requests	16
4.1	Top Level Hazards and Malfunctions	24
5.1	Top Level Safety Requirements	25
5.2	Hazards and derived safety requirements	25
A.1	List of Abbreviations	37